

EV-GBDC-PARK-SW - Charging connector holder



1623497

<https://www.phoenixcontact.com/pc/products/1623497>

Please be informed that the data shown in this PDF document is generated from our online catalog. Please find the complete data in the user documentation. Our general terms of use for downloads are valid.



CHARX connect, GB/T, Charging connector holder, Accessories, Front mounting, Park position with pushbutton (N/C contact) to detect the plug state., housing: black, for vehicle charging connectors on charging stations (EVSE), GB/T 20234.3

Product description

Retainer for Vehicle Connector as parking position at charging stations for E-Mobility (EVSE)

Your advantages

- Developed and produced in accordance with the IATF 16949 automotive standard and ISO 9001
- Individual branding, thanks to the use your own logo

Commercial data

Item number	1623497
Packing unit	1 pc
Minimum order quantity	1 pc
Product key	XWBMY
GTIN	4055626193878
Weight per piece (including packing)	165 g
Weight per piece (excluding packing)	165 g
Customs tariff number	39269097
Country of origin	CN

1623497

<https://www.phoenixcontact.com/pc/products/1623497>

Technical data

Product properties

Product type	Charging connector holder
Product family	CHARX connect
Type	Accessories
Charging standard	GB/T
Charging mode	Mode 4
Customer variations	On request

Material specifications

Color (Housing)	black (9005)
Material (Housing)	Plastic
Flammability rating according to UL 94	V0 ()

Mechanical properties

Securing	With actuation lever
Detection	Park position with pushbutton (N/C contact) to detect the plug state.
Removal	Lever actuation and removal

Environmental and real-life conditions

Ambient conditions

Degree of protection	IP54 (plugged in)
Ambient temperature (operation)	-30 °C ... 50 °C
Ambient temperature (storage/transport)	-40 °C ... 80 °C

Standards and regulations

Standards

Standards/regulations	GB/T 20234.3
-----------------------	--------------

Mounting

Mounting type Charging connector holder	Front mounting (0° ... 45° frontal inclination possible)
Mounting hole diameter	7.00 mm

EV-GBDC-PARK-SW - Charging connector holder

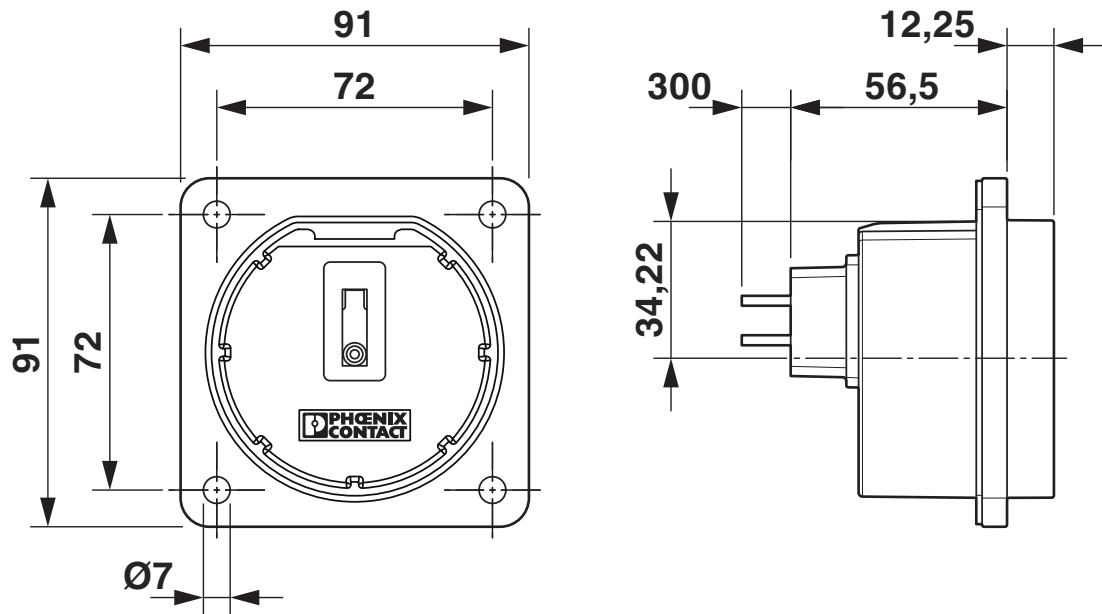


1623497

<https://www.phoenixcontact.com/pc/products/1623497>

Drawings

Dimensional drawing



Dimensional drawing

1623497

<https://www.phoenixcontact.com/pc/products/1623497>

Drilling plan/solder pad geometry



Hole image

EV-GBDC-PARK-SW - Charging connector holder



1623497

<https://www.phoenixcontact.com/pc/products/1623497>

Classifications

ECLASS

ECLASS-13.0	27144792
ECLASS-15.0	27144792

ETIM

ETIM 10.0	EC002884
-----------	----------

UNSPSC

UNSPSC 21.0	39121500
-------------	----------

1623497

<https://www.phoenixcontact.com/pc/products/1623497>

Environmental product compliance

EU RoHS

Fulfills EU RoHS substance requirements	Not applicable, No electrical and electronic equipment (EEE), cannot be used in EEE
---	---

China RoHS

Environment friendly use period (EFUP)	EFUP-10
	An article-related China RoHS declaration table can be found in the download area for the respective article under "Manufacturer declaration". For all articles with EFUP-E, no China RoHS declaration table issued and required.

EU REACH SVHC

REACH candidate substance (CAS No.)	No substance above 0.1 wt%
-------------------------------------	----------------------------

Phoenix Contact 2026 © - all rights reserved
<https://www.phoenixcontact.com>

PHOENIX CONTACT GmbH & Co. KG
Flachsmarktstraße 8
D-32825 Blomberg
+49 (0) 5235-3 00
info@phoenixcontact.com