

HC-CME-DD-71-F-SNAP-L - Conductor connector



1549639

<https://www.phoenixcontact.com/pc/products/1549639>

Please be informed that the data shown in this PDF document is generated from our online catalog. Please find the complete data in the user documentation. Our general terms of use for downloads are valid.



Conductor connector, number of positions: 71+PE, number of connections per position: 1, Socket, Crimp connection, 250 V, 10 A, 0.14 mm² ... 2.5 mm², for connections in control cabinets

Commercial data

Item number	1549639
Packing unit	10 pc
Minimum order quantity	1 pc
Product key	AF7ABZ
GTIN	4067923025035
Weight per piece (including packing)	72.09 g
Weight per piece (excluding packing)	71 g
Customs tariff number	85389099
Country of origin	CN

Technical data

Mounting

Assembly note	Use within a control cabinet that is protected against unauthorized access is essential to ensure correct use. At the installation location in the control cabinet, the cable bundle to be connected must be properly installed and fitted with strain relief. As the pin connector pattern does not provide a leading protective conductor contact (PE), consistent grounding must be ensured by the control cabinet assembly.
---------------	---

Product properties

Product type	Contact insert with a fixed no. of positions
Number of positions	71
Connection profile	71+PE
Number of connections per position	1
Contact material type	turned rolled

Insulation characteristics

Overvoltage category	III
Degree of pollution	3

Dimensions

Mechanical characteristics

Contact diameter	1.6 mm
------------------	--------

Connection data

Connection technology

Connection technology	Crimp connection
Number of connections per position	1

Conductor connection

Conductor cross-section	0.14 mm ² ... 2.5 mm ²
Connection cross section AWG	26 ... 14
Stripping length of the individual wire	8 mm (0.14 mm ² ... 1.5 mm ²) 6 mm (2.5 mm ²)

Electrical properties

Rated voltage (III/3)	250 V
Rated surge voltage	4 kV
Rated current	10 A

Material specifications

Flammability rating according to UL 94	V0
Contact material	Copper alloy

HC-CME-DD-71-F-SNAP-L - Conductor connector



1549639

<https://www.phoenixcontact.com/pc/products/1549639>

Contact surface material	Ag
Contact carrier material	PC

Environmental and real-life conditions

Ambient conditions

Ambient temperature (operation)	-40 °C ... 125 °C (including heating up of contacts)
---------------------------------	--

HC-CME-DD-71-F-SNAP-L - Conductor connector

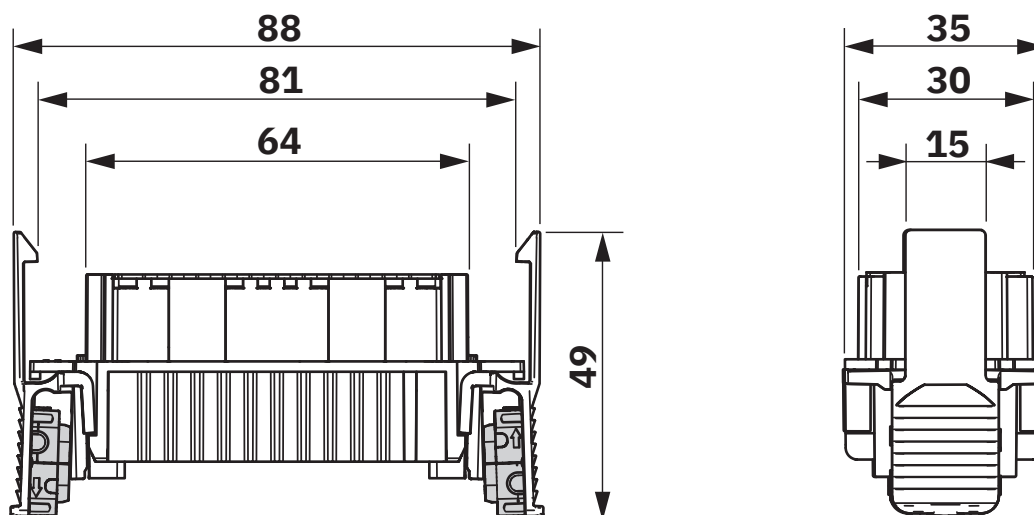


1549639

<https://www.phoenixcontact.com/pc/products/1549639>

Drawings

Dimensional drawing



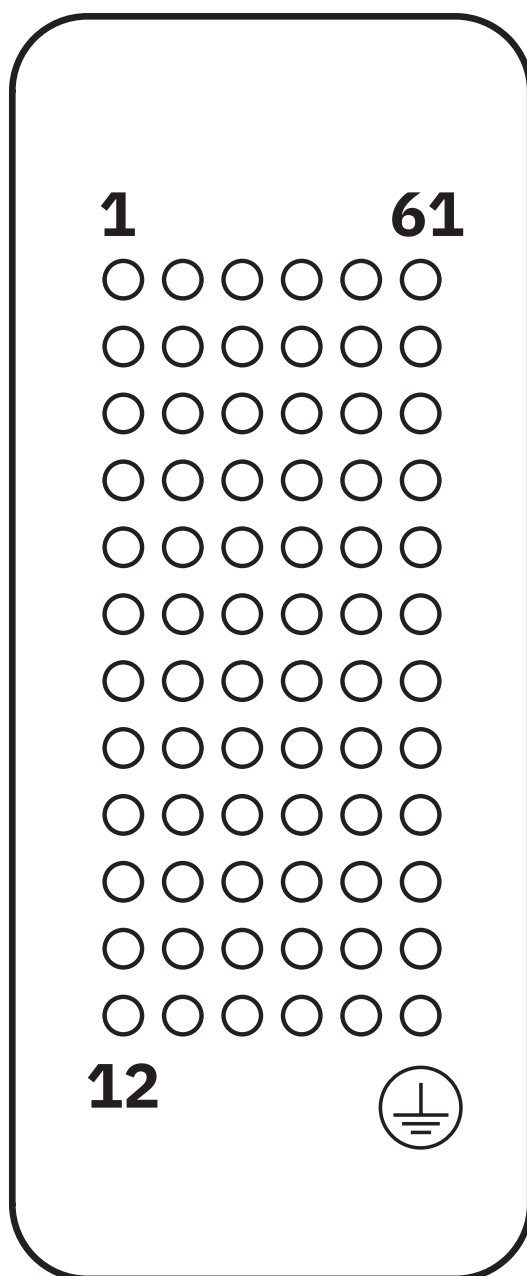
HC-CME-DD-71-F-SNAP-L - Conductor connector

1549639

<https://www.phoenixcontact.com/pc/products/1549639>



Schematic diagram



Connector pin assignment, connection side

HC-CME-DD-71-F-SNAP-L - Conductor connector




1549639

<https://www.phoenixcontact.com/pc/products/1549639>

Approvals

To download certificates, visit the product detail page: <https://www.phoenixcontact.com/pc/products/1549639>

 cULus Recognized Approval ID: E468743				
	Nominal voltage U_N	Nominal current I_N	Cross section AWG	Cross section mm^2
keine				
	250 V	7 A	- 14	-

HC-CME-DD-71-F-SNAP-L - Conductor connector



1549639

<https://www.phoenixcontact.com/pc/products/1549639>

Classifications

ECLASS

ECLASS-13.0	27440205
ECLASS-15.0	27440205

ETIM

ETIM 10.0	EC000438
-----------	----------

UNSPSC

UNSPSC 21.0	39121500
-------------	----------

HC-CME-DD-71-F-SNAP-L - Conductor connector



1549639

<https://www.phoenixcontact.com/pc/products/1549639>

Environmental product compliance

EU RoHS

Fulfills EU RoHS substance requirements	Yes, No exemptions
---	--------------------

China RoHS

Environment friendly use period (EFUP)	EFUP-E
	No hazardous substances above the limits

EU REACH SVHC

REACH candidate substance (CAS No.)	No substance above 0.1 wt%
-------------------------------------	----------------------------

Phoenix Contact 2026 © - all rights reserved
<https://www.phoenixcontact.com>

PHOENIX CONTACT GmbH & Co. KG
Flachmarktstraße 8
D-32825 Blomberg
+49 (0) 5235-3 00
info@phoenixcontact.com