

IPD H 3P2,5 BK - H distributor



1499528

<https://www.phoenixcontact.com/pc/products/1499528>

Please be informed that the data shown in this PDF document is generated from our online catalog. Please find the complete data in the user documentation. Our general terms of use for downloads are valid.

H distributor, number of positions: 2+PE, 500 V, 20 A, black, coding: P



Your advantages

- Easy distribution of power, as components are plugged directly
- Simple, time-saving wiring in the field with Push-Lock connection
- Reliable installation in harsh environments with IP66, IP68, and IP69K throughout the entire system
- Secure, tool-free locking even in particularly difficult installation situations
- Fast commissioning with preassembled cable assemblies

Commercial data

Item number	1499528
Packing unit	1 pc
Minimum order quantity	1 pc
Product key	AF6MAA
GTIN	4063151955922
Weight per piece (including packing)	150.6 g
Weight per piece (excluding packing)	150.6 g
Customs tariff number	85366990
Country of origin	DE

IPD H 3P2,5 BK - H distributor

1499528

<https://www.phoenixcontact.com/pc/products/1499528>

Technical data

Notes

Order information:	Mounting material is not supplied as standard.
--------------------	--

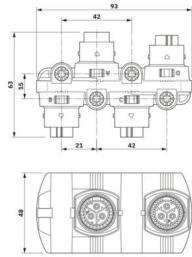
Product properties

Product type	Power distributor
Product family	IPD
Type	H-distributor
Number of positions	3
Connection profile	2+PE
Position marking	L, N, PE
Coding	P

Insulation characteristics

Overvoltage category	III
Degree of pollution	3

Dimensions

Dimensional drawing	
Width	93 mm
Height	48 mm
Length	63 mm

Electrical properties

Rated surge voltage (III/3)	6 kV
Rated current	20 A
Rated voltage (III/3)	500 V
Nominal voltage U_N	500 V AC
	500 V DC
Nominal current I_N	20 A

Mechanical properties

Mechanical data

Insertion/withdrawal cycles	50 (IP66/IP68/IP69K)
	100 (IP66)

IPD H 3P2,5 BK - H distributor



1499528

<https://www.phoenixcontact.com/pc/products/1499528>

Material specifications

Color (Housing)	black (RAL 9005)
Flammability rating according to UL 94	V0

Cable/line

Position marking	L, N, PE
------------------	----------

Environmental and real-life conditions

Ambient conditions

Degree of protection	IP66
	IP68 (2 m / 24 h)
	IP69K
	Touch-proof when not plugged in (IP2X)
Impact strength	IK07
Ambient temperature (operation)	-30 °C ... 100 °C
Temperature when conductor connected	-5 °C ... 50 °C
Resistance to UV radiation	yes

IPD H 3P2,5 BK - H distributor

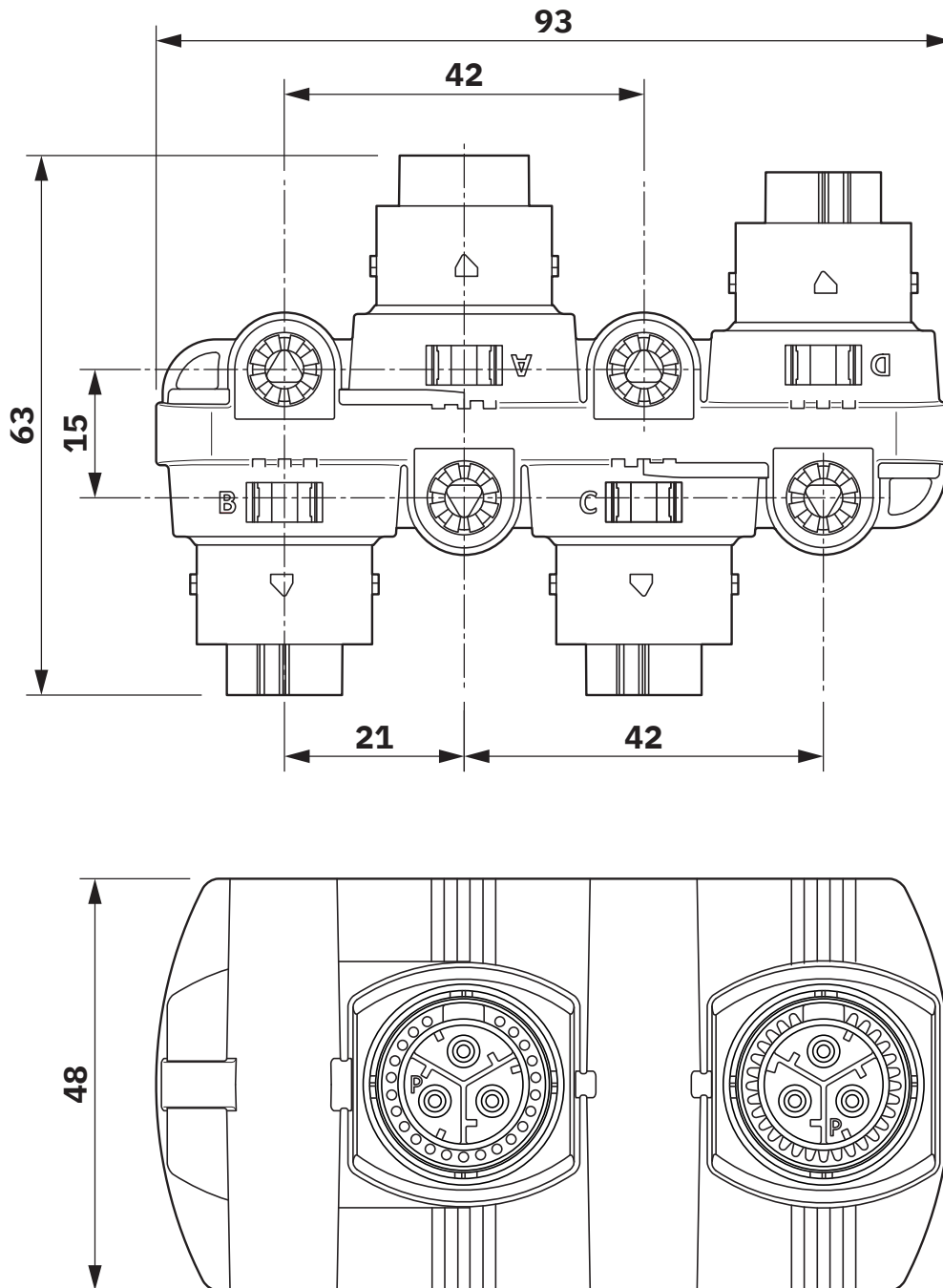
1499528

<https://www.phoenixcontact.com/pc/products/1499528>



Drawings

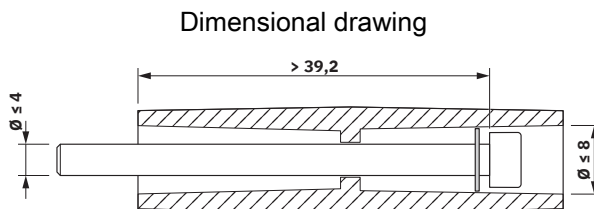
Dimensional drawing



IPD H 3P2,5 BK - H distributor

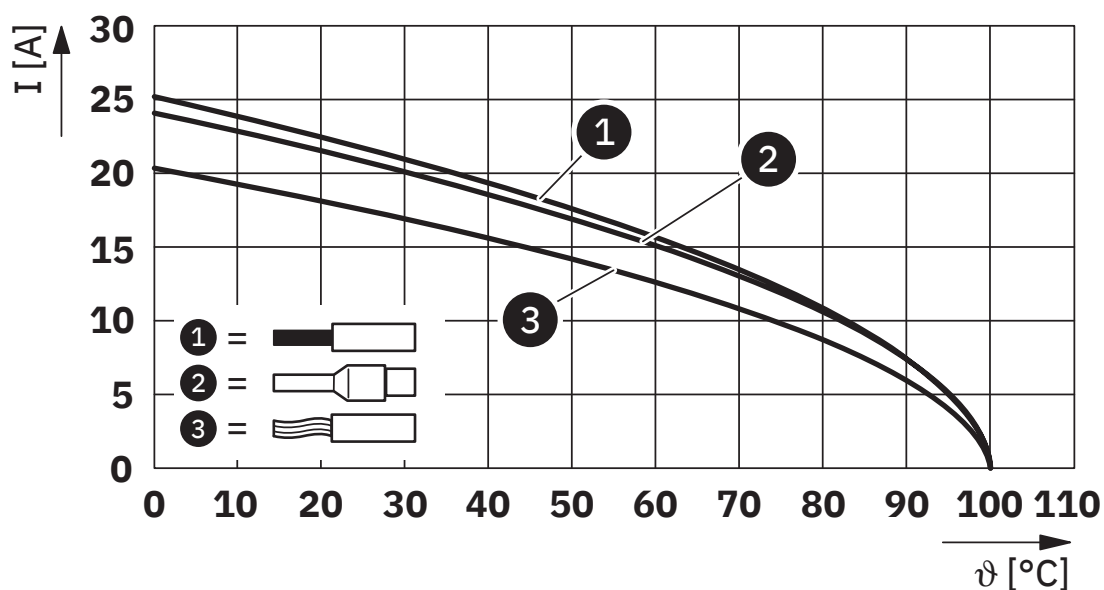
1499528

<https://www.phoenixcontact.com/pc/products/1499528>



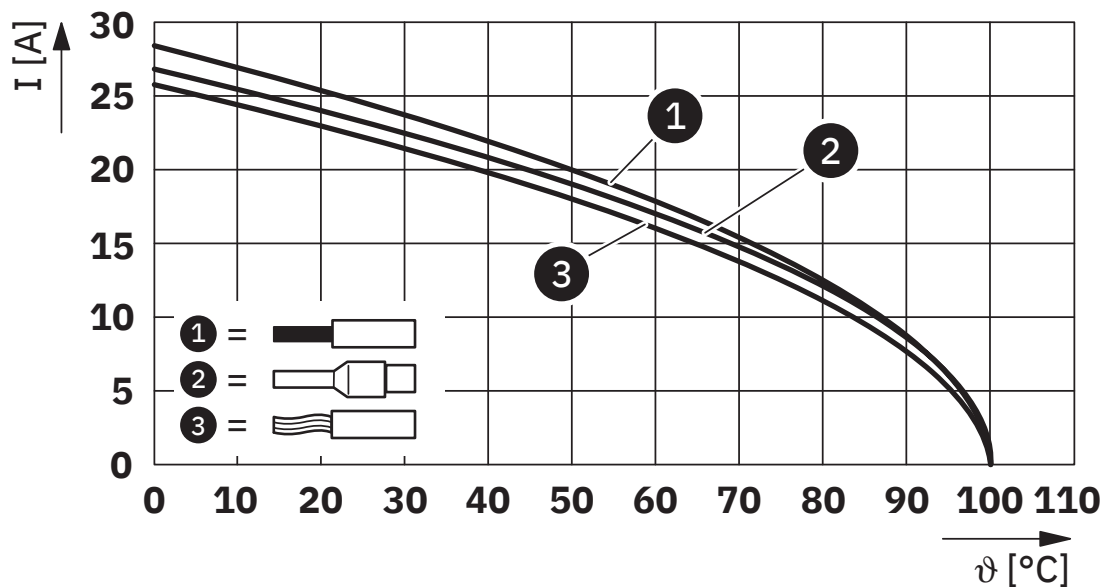
Screw fixing (mounting material not supplied as standard)

Diagram



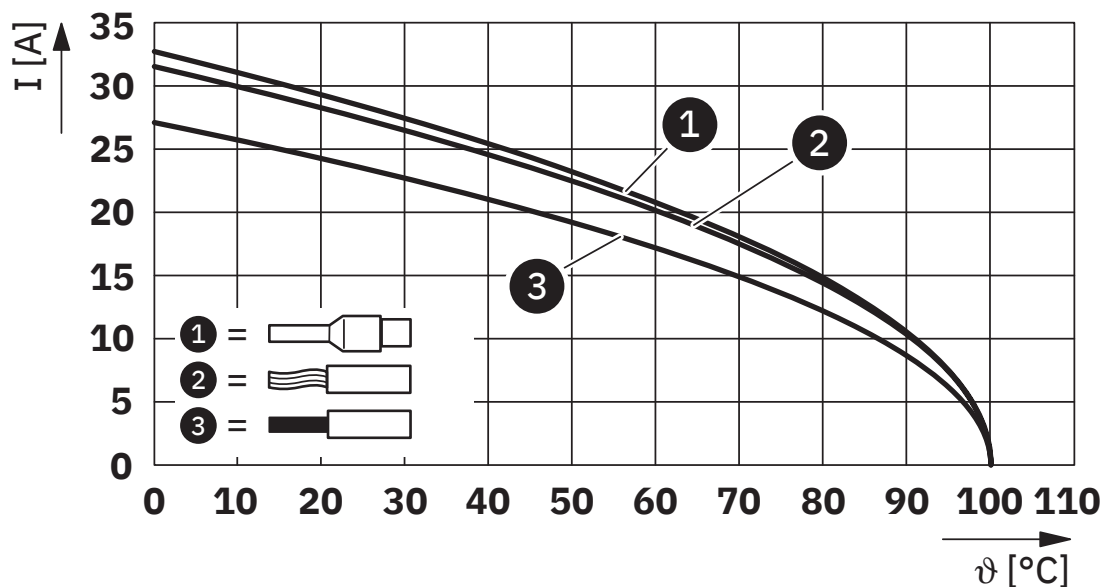
Derating diagram for 1.0 mm²

Diagram



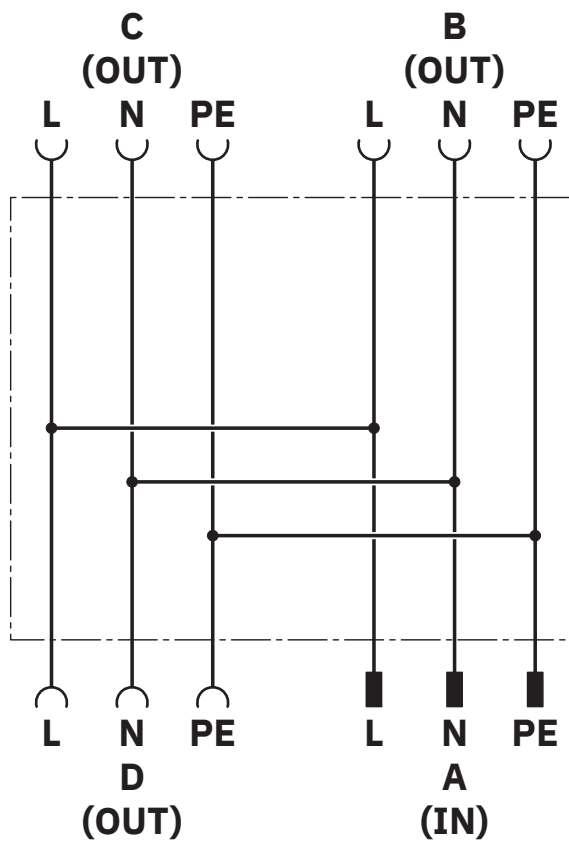
Derating diagram for 1.5 mm²

Diagram



Derating diagram for 2.5 mm²

Circuit diagram



IPD H 3P2,5 BK - H distributor



1499528

<https://www.phoenixcontact.com/pc/products/1499528>

Approvals

To download certificates, visit the product detail page: <https://www.phoenixcontact.com/pc/products/1499528>



VDE Zeichengenehmigung

Approval ID: 40059408



UL Listed

Approval ID: E468743

	Nominal voltage U_N	Nominal current I_N	Cross section AWG	Cross section mm^2
keine				
	600 V	20 A	-	-



cUL Listed

Approval ID: E468743

	Nominal voltage U_N	Nominal current I_N	Cross section AWG	Cross section mm^2
keine				
	600 V	19 A	-	-

IPD H 3P2,5 BK - H distributor



1499528

<https://www.phoenixcontact.com/pc/products/1499528>

Classifications

ECLASS

ECLASS-13.0	27440603
ECLASS-15.0	27440603

ETIM

ETIM 10.0	EC002567
-----------	----------

UNSPSC

UNSPSC 21.0	39121400
-------------	----------

IPD H 3P2,5 BK - H distributor



1499528

<https://www.phoenixcontact.com/pc/products/1499528>

Environmental product compliance

EU RoHS

Fulfills EU RoHS substance requirements	Yes, No exemptions
---	--------------------

China RoHS

Environment friendly use period (EFUP)	EFUP-E
	No hazardous substances above the limits

EU REACH SVHC

REACH candidate substance (CAS No.)	No substance above 0.1 wt%
-------------------------------------	----------------------------

Phoenix Contact 2026 © - all rights reserved
<https://www.phoenixcontact.com>

PHOENIX CONTACT GmbH & Co. KG
Flachmarktstraße 8
D-32825 Blomberg
+49 (0) 5235-3 00
info@phoenixcontact.com