

SACC-M12FS-8QO-0,25-CM VA - Connector



1426330

<https://www.phoenixcontact.com/pc/products/1426330>

Please be informed that the data shown in this PDF document is generated from our online catalog. Please find the complete data in the user documentation. Our general terms of use for downloads are valid.



Connector, Universal, 8-position, Socket straight M12, coding: A, Insulation displacement connection, knurl material: Stainless steel 1.4404, external cable diameter 3 mm ... 7 mm

Your advantages

- Safe use in the field, thanks to a high degree of protection
- Insulation displacement connection: innovative and time-saving assembly without stripping the single wire

Commercial data

Item number	1426330
Packing unit	1 pc
Minimum order quantity	1 pc
Product key	AF2CCA
GTIN	4055626458632
Weight per piece (including packing)	29 g
Weight per piece (excluding packing)	22.22 g
Customs tariff number	85366990
Country of origin	DE

SACC-M12FS-8QO-0,25-CM VA - Connector



1426330

<https://www.phoenixcontact.com/pc/products/1426330>

Technical data

Notes

Assembly note	NOTE: Observe the permissible bending radii when routing cables, since the degree of protection may be at risk if the bending forces are too high. Reduce mechanical loads upstream of the connector, e.g., by using cable ties.
---------------	---

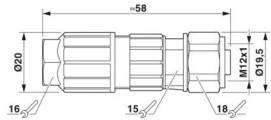
Product properties

Product type	Circular connector (cable-side)
Sensor type	Universal
Number of positions	8
No. of cable outlets	1
Shielded	no
Coding	A
Cable outlet	straight

Insulation characteristics

Overvoltage category	III
Degree of pollution	3

Dimensions

Dimensional drawing	
Length	58 mm
Wrench size, union nut	16 mm
Wrench size, counter nut	15 mm

External dimensions

Outside diameter	3 mm ... 7 mm
------------------	---------------

Material specifications

Flammability rating according to UL 94	V0
Seal material	FKM FKM
Material of grip body	PA-GF
Contact material	CuSn
Contact surface material	Ni/Au
Contact carrier material	PA 6.6
Material for screw connection	Stainless steel 1.4404
Wire insulation material	PVC / PE / PP / rubber

Connection data

SACC-M12FS-8QO-0,25-CM VA - Connector



1426330

<https://www.phoenixcontact.com/pc/products/1426330>

Conductor connection

Connection method	Insulation displacement connection
Connection cross section	0.14 mm ² ... 0.25 mm ² (flexible)
Connection cross section AWG	26 ... 24 (flexible)
Tightening torque	0.4 Nm (M12 knurl)
	4 Nm (Pressure nut)

Connection assignment

Contact Color (signal designation) Contact (optional)	2 = BN
	3 = GN
	4 = YE
	5 = GY
	6 = PK
	7 = BU
8 = RD	

Electrical properties

Rated surge voltage	0.8 kV
Insulation resistance	≥ 100 MΩ
Nominal voltage U _N	30 V AC
	30 V DC
Nominal current I _N	2 A

Mechanical properties

Mechanical data

Insertion/withdrawal cycles	≥ 100
-----------------------------	-------

Connector

Connection 1

Head design	Socket
Head cable outlet	straight
Head thread type	M12
Coding	A

Cable/line

Signal type/category	Universal
----------------------	-----------

Environmental and real-life conditions

Ambient conditions

Degree of protection	IP65
Ambient temperature (operation)	-40 °C ... 85 °C (Plug / socket)
Ambient temperature (assembly)	-5 °C ... 50 °C

SACC-M12FS-8QO-0,25-CM VA - Connector



1426330

<https://www.phoenixcontact.com/pc/products/1426330>

Standards and regulations

Standard designation	M12 connector
Standards/specifications	according to IEC 61076-2-101

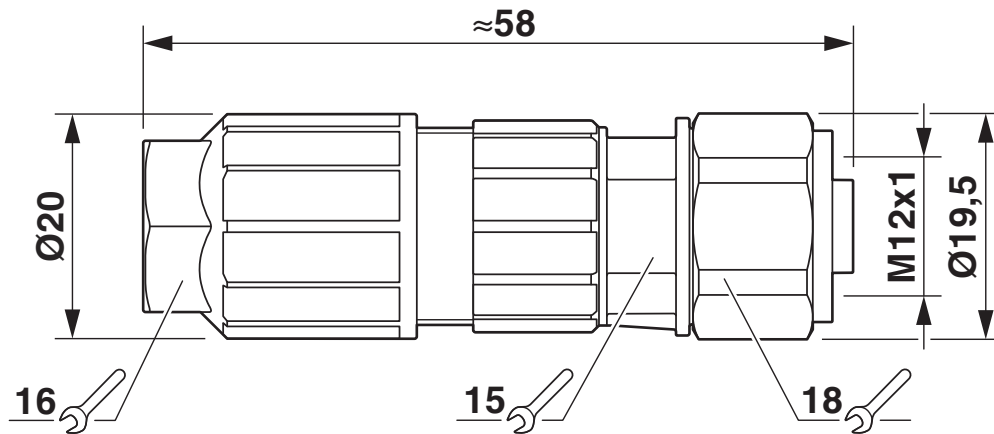
SACC-M12FS-8QO-0,25-CM VA - Connector

1426330

<https://www.phoenixcontact.com/pc/products/1426330>

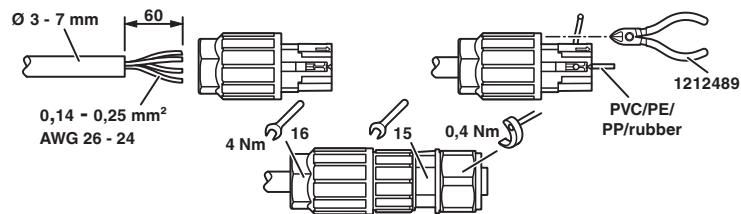
Drawings

Dimensional drawing



M12 x 1 socket, straight

Functional drawing



SACC-M12FS-8QO-0,25-CM VA - Connector

1426330

<https://www.phoenixcontact.com/pc/products/1426330>



Schematic diagram



Pin assignment M12 socket, 8-pos., A-coded, view female side

SACC-M12FS-8QO-0,25-CM VA - Connector



1426330

<https://www.phoenixcontact.com/pc/products/1426330>

Classifications

ECLASS

ECLASS-13.0	27440116
ECLASS-15.0	27440116

ETIM

ETIM 10.0	EC002635
-----------	----------

UNSPSC

UNSPSC 21.0	39121413
-------------	----------

SACC-M12FS-8QO-0,25-CM VA - Connector



1426330

<https://www.phoenixcontact.com/pc/products/1426330>

Environmental product compliance

EU RoHS

Fulfills EU RoHS substance requirements	Yes, No exemptions
---	--------------------

China RoHS

Environment friendly use period (EFUP)	EFUP-E
	No hazardous substances above the limits

EU REACH SVHC

REACH candidate substance (CAS No.)	No substance above 0.1 wt%
-------------------------------------	----------------------------

Phoenix Contact 2026 © - all rights reserved
<https://www.phoenixcontact.com>

PHOENIX CONTACT GmbH & Co. KG
Flachmarktstraße 8
D-32825 Blomberg
+49 (0) 5235-3 00
info@phoenixcontact.com