

# C-RCEI 2,5/M3,5 - Ring cable lug

3241206

<https://www.phoenixcontact.com/gb/products/3241206>

Please be informed that the data shown in this PDF document is generated from our online catalog. Please find the complete data in the user documentation. Our general terms of use for downloads are valid.



Ring cable lug, blue, 1.5 ... 2.5 mm<sup>2</sup>, M3.5, with copper sleeve incorporated, for insulation crimp

## Your advantages

- The mechanical load capacity of the connection is significantly increased by the additionally applied copper sleeve (insulation crimp)
- The insulated ring cable lugs with plastic sleeve are hard-soldered and feature the 'EASY ENTRY' system

## Commercial data

|                                      |               |
|--------------------------------------|---------------|
| Item number                          | 3241206       |
| Packing unit                         | 100 pc        |
| Minimum order quantity               | 100 pc        |
| Sales key                            | BH3421        |
| Product key                          | BH3421        |
| GTIN                                 | 4046356826112 |
| Weight per piece (including packing) | 1.089 g       |
| Weight per piece (excluding packing) | 1.089 g       |
| Customs tariff number                | 85369010      |
| Country of origin                    | TW            |

# C-RCEI 2,5/M3,5 - Ring cable lug

3241206

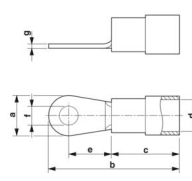
<https://www.phoenixcontact.com/gb/products/3241206>

## Technical data

### Product properties

|                  |                         |
|------------------|-------------------------|
| Product type     | Connector               |
| Product property | Halogen-free            |
|                  | Conical conductor entry |
|                  | Brazed                  |
|                  | PA-insulated            |

### Dimensions

|  |  |
|--|--|
| Dimensional drawing  |  |
| Width  | 6.6 mm   |
| Sleeve length  | 20.6 mm  |
| Length of the insulating material sleeve                   | 11 mm  |
| Distance from the center to the insulating material sleeve | 6.3 mm   |
| Min. material thickness                                    | 0.8 mm   |
| Inner dimensions of the insulating collar                  | 4.5 mm   |

### Internal dimensions

|                   |        |
|-------------------|--------|
| Internal diameter | 3.7 mm |
|-------------------|--------|

### Material specifications

|  |                 |
|--|-----------------|
| Color                                  | blue (RAL 5015) |
| Material                               | Copper          |
| Flammability rating according to UL 94 | V2              |
| Coating                                | tin-plated      |
| Insulating material                    | PA              |
| Components                             | halogen-free    |

### Mechanical properties

#### Technical data

|               |         |
|---------------|---------|
| Sleeve length | 20.6 mm |
|---------------|---------|

### Environmental and real-life conditions

#### Ambient conditions

|   |   |
|---|---|
| Optimum ambient temperature (storage/transport) | 20.00 °C 50.00 % Humidity (RH), store inside sealed original packaging. Avoid direct sunlight and heat. |
| Ambient temperature (operation)                 | -20 °C ... 105 °C   |
| Ambient temperature (assembly)                  | -20 °C ... 100 °C   |

# C-RCEI 2,5/M3,5 - Ring cable lug

3241206

<https://www.phoenixcontact.com/gb/products/3241206>



|                        |        |
|------------------------|--------|
| Short-term temperature | 100 °C |
|------------------------|--------|

# C-RCEI 2,5/M3,5 - Ring cable lug

3241206

<https://www.phoenixcontact.com/gb/products/3241206>



## Drawings

Dimensional drawing



# C-RCEI 2,5/M3,5 - Ring cable lug



3241206

<https://www.phoenixcontact.com/gb/products/3241206>

## Classifications

### ECLASS

|             |          |
|-------------|----------|
| ECLASS-13.0 | 27400204 |
| ECLASS-15.0 | 27400204 |

### ETIM

|           |          |
|-----------|----------|
| ETIM 10.0 | EC001052 |
|-----------|----------|

### UNSPSC

|             |          |
|-------------|----------|
| UNSPSC 21.0 | 27121700 |
|-------------|----------|

# C-RCEI 2,5/M3,5 - Ring cable lug



3241206

<https://www.phoenixcontact.com/gb/products/3241206>

## Environmental product compliance

### EU RoHS

|   |                    |
|---|--------------------|
| Fulfills EU RoHS substance requirements | Yes, No exemptions |
|---|--------------------|

### China RoHS

|  |  |
|--|--|
| Environment friendly use period (EFUP) | EFUP-E                                   |
|  | No hazardous substances above the limits |

### EU REACH SVHC

|                                     |                            |
|-------------------------------------|----------------------------|
| REACH candidate substance (CAS No.) | No substance above 0.1 wt% |
|-------------------------------------|----------------------------|

### EF3.1 Climate Change

|         |               |
|---------|---------------|
| CO2e kg | 0.026 kg CO2e |
|---------|---------------|

Phoenix Contact 2026 © - all rights reserved  
<https://www.phoenixcontact.com>

PHOENIX CONTACT Ltd  
Halesfield 13, Telford  
Shropshire, TF7 4PG  
01952 681700  
[info@phoenixcontact.co.uk](mailto:info@phoenixcontact.co.uk)