

C-SCFFI 6/6,3X0,8 - Connector

3240541

<https://www.phoenixcontact.com/gb/products/3240541>

Please be informed that the data shown in this PDF document is generated from our online catalog. Please find the complete data in the user documentation. Our general terms of use for downloads are valid.



Slip-on sleeve, fully insulated, yellow, 4 ... 6 mm², for 6.3 x 0.8 mm plugs

Your advantages

- Hard-soldered crimping zone for maximum conductor pull-out forces in connection with CRIMPFOX RCI... pliers
- Easy and reliable conductor entry thanks to 'EASY ENTRY'
- Halogen-free
- Electrogalvanized

Commercial data

Item number	3240541
Packing unit	25 pc
Minimum order quantity	25 pc
Sales key	BH3451
Product key	BH3451
GTIN	4046356528115
Weight per piece (including packing)	2.04 g
Weight per piece (excluding packing)	2 g
Customs tariff number	85369010
Country of origin	CN

C-SCFFI 6/6,3X0,8 - Connector

3240541

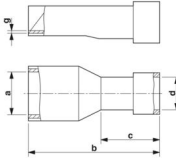
<https://www.phoenixcontact.com/gb/products/3240541>

Technical data

Product properties

Product type	Connector
Product property	Halogen-free
	With "Easy Entry" system
	Brazed
	PA-insulated
	Tin-plated
	Temperature range: -20°C ... +105°C
	Flammability rating V2 in accordance with UL 94

Dimensions

Dimensional drawing	
Width	6.3 mm
Sleeve length	26 mm
Length of the insulating material sleeve	14 mm
Maximum stripping length	9 mm
Min. material thickness	0.4 mm
Inner dimensions of the insulating collar	6.6 mm

Material specifications

Color	yellow (RAL 1018)
Material	Brass
Flammability rating according to UL 94	V2
Coating	electrogalvanized
Insulating material	PA
Components	halogen-free

Mechanical properties

Technical data

Sleeve length	26 mm
---------------	-------

Environmental and real-life conditions

Ambient conditions

Ambient temperature (operation)	-20 °C ... 105 °C
Permanent temperature	105 °C
Short-term temperature	120 °C

C-SCFFI 6/6,3X0,8 - Connector

3240541

<https://www.phoenixcontact.com/gb/products/3240541>



Drawings

Dimensional drawing



C-SCFFI 6/6,3X0,8 - Connector



3240541

<https://www.phoenixcontact.com/gb/products/3240541>

Classifications

ECLASS

ECLASS-13.0	27400204
ECLASS-15.0	27400204

ETIM

ETIM 10.0	EC001052
-----------	----------

UNSPSC

UNSPSC 21.0	27121700
-------------	----------

C-SCFFI 6/6,3X0,8 - Connector



3240541

<https://www.phoenixcontact.com/gb/products/3240541>

Environmental product compliance

EU RoHS

Fulfills EU RoHS substance requirements	Yes, No exemptions
---	--------------------

China RoHS

Environment friendly use period (EFUP)	EFUP-E
	No hazardous substances above the limits

EU REACH SVHC

REACH candidate substance (CAS No.)	No substance above 0.1 wt%
-------------------------------------	----------------------------

Phoenix Contact 2026 © - all rights reserved
<https://www.phoenixcontact.com>

PHOENIX CONTACT Ltd
Halesfield 13, Telford
Shropshire, TF7 4PG
01952 681700
info@phoenixcontact.co.uk