

# C-FC 6/M8 - Fork-type cable lug

3240151

<https://www.phoenixcontact.com/gb/products/3240151>

Please be informed that the data shown in this PDF document is generated from our online catalog. Please find the complete data in the user documentation. Our general terms of use for downloads are valid.



Fork-type cable lug, non-insulated, 2.6 - 6 mm<sup>2</sup>, M8

## Your advantages

- The fork-type cable lugs without plastic sleeve feature a hard-soldered neck. In conjunction with the CRIMPFOX-RC ... and CRIMPFOX-RCI ... pliers they can be used to achieve maximum conductor pull-out forces
- The insulated versions are halogen-free and feature "EASY ENTRY" technology

## Commercial data

Item number	3240151
Packing unit	50 pc
Minimum order quantity	100 pc
Sales key	BH3442
Product key	BH3442
GTIN	4046356453684
Weight per piece (including packing)	2.106 g
Weight per piece (excluding packing)	2.106 g
Customs tariff number	85369010
Country of origin	CN

# C-FC 6/M8 - Fork-type cable lug

3240151

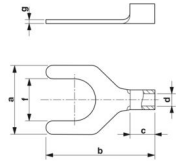
<https://www.phoenixcontact.com/gb/products/3240151>

## Technical data

### Product properties

Product type	Connector
Product property	Design according to DIN 46234
	Brazed
	Tin-plated

### Dimensions

Dimensional drawing	
Width	13.5 mm
Sleeve length	25 mm
Length of the insulating material sleeve	6.5 mm
Maximum stripping length	9 mm
Distance from the center to the insulating material sleeve	12 mm
Min. material thickness	1 mm
Inner dimensions of the insulating collar	3.6 mm

### Internal dimensions

Internal diameter	8.4 mm
-------------------	--------

### Material specifications

Color	silver-colored
Material	Copper
Coating	tin-plated
Components	halogen-free

### Mechanical properties

#### Technical data

Sleeve length	25 mm
---------------	-------

### Environmental and real-life conditions

#### Ambient conditions

Ambient temperature (operation)	110 °C
---------------------------------	--------

### Standards and regulations

Design according to standard	DIN 46234
------------------------------	-----------

# C-FC 6/M8 - Fork-type cable lug

3240151

<https://www.phoenixcontact.com/gb/products/3240151>



## Drawings

Dimensional drawing



# C-FC 6/M8 - Fork-type cable lug



3240151

<https://www.phoenixcontact.com/gb/products/3240151>

## Classifications

### ECLASS

ECLASS-13.0	27400204
ECLASS-15.0	27400204

### ETIM

ETIM 10.0	EC001052
-----------	----------

### UNSPSC

UNSPSC 21.0	27121700
-------------	----------

# C-FC 6/M8 - Fork-type cable lug



3240151

<https://www.phoenixcontact.com/gb/products/3240151>

## Environmental product compliance

### EU RoHS

Fulfills EU RoHS substance requirements	Yes, No exemptions
---	--------------------

### China RoHS

Environment friendly use period (EFUP)	EFUP-E
	No hazardous substances above the limits

### EU REACH SVHC

REACH candidate substance (CAS No.)	No substance above 0.1 wt%
-------------------------------------	----------------------------

### EF3.1 Climate Change

CO2e kg	0.055 kg CO2e
---------	---------------

Phoenix Contact 2026 © - all rights reserved  
<https://www.phoenixcontact.com>

PHOENIX CONTACT Ltd  
Halesfield 13, Telford  
Shropshire, TF7 4PG  
01952 681700  
[info@phoenixcontact.co.uk](mailto:info@phoenixcontact.co.uk)