

AI 2,5 - 8 BU-B - Ferrule

3201408

<https://www.phoenixcontact.com/gb/products/3201408>



Please be informed that the data shown in this PDF document is generated from our online catalog. Please find the complete data in the user documentation. Our general terms of use for downloads are valid.

Ferrule, Length contact range: 8 mm, sleeve length: 14 mm, color: blue



Your advantages

- The taped ferrules were developed specifically for the CF 3000-2,5 automatic crimping device
- Available in the main color ranges up to 2.5 mm²
- Can be used to wire all terminal blocks, especially those of the CLIPLINE complete system

Commercial data

Item number	3201408
Packing unit	500 pc
Minimum order quantity	500 pc
Sales key	BH3414
Product key	BH3414
GTIN	4017918094904
Weight per piece (including packing)	0.216 g
Weight per piece (excluding packing)	0.1 g
Customs tariff number	85369010
Country of origin	DE

AI 2,5 - 8 BU-B - Ferrule

3201408

<https://www.phoenixcontact.com/gb/products/3201408>

Technical data

Product properties

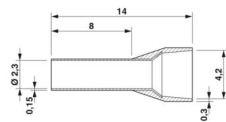
Product type	Cable end sleeve
Conductor category	stranded conductors, class 2, 5, 6 / B, C, K, M
Product property	Taped design for automated production
	UL certified
	Made from soft tin-plated electrolytic copper
	Correspond to the requirements of DIN 46228-4 and UL 486F in terms of size
	Plastic collar made of polypropylene
	Halogen-free
	Long/short-term temperature: +105°C/+120°C

Connection data

Conductor connection

Conductor cross-section flexible max.	2.5 mm ²
Conductor cross-section AWG max.	14
Stripping length	11 mm

Dimensions

Dimensional drawing	
Sleeve length	14 mm
Length contact range	8 mm
Maximum stripping length	11 mm
Ferrule diameter	2.3 mm
Sleeve wall thickness	0.15 mm
Insulating collar thickness	0.3 mm
Inner dimensions of the insulating collar	4.2 mm

Material specifications

Color	blue (RAL 5015)
Material	CU-DHP
Flammability rating according to UL 94	HB
Coating	galvanically tin-plated
Surface characteristics	Tin-plated
Components	free from silicone and halogen

Mechanical properties

AI 2,5 - 8 BU-B - Ferrule



3201408

<https://www.phoenixcontact.com/gb/products/3201408>

Technical data

Sleeve length	14 mm
---------------	-------

Environmental and real-life conditions

Ambient conditions

Permanent temperature	105 °C (-40 °C no load / 0 °C dynamic load)
Short-term temperature	120 °C

AI 2,5 - 8 BU-B - Ferrule

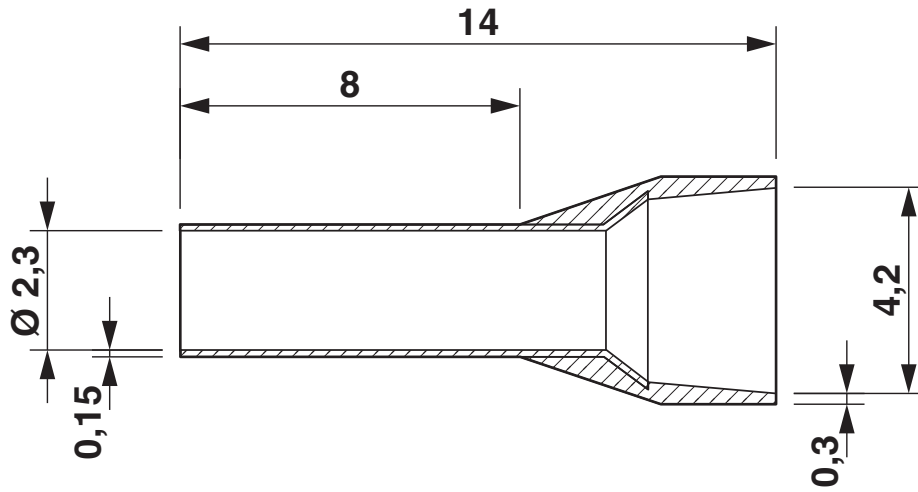
3201408

<https://www.phoenixcontact.com/gb/products/3201408>



Drawings

Dimensional drawing



AI 2,5 - 8 BU-B - Ferrule

3201408

<https://www.phoenixcontact.com/gb/products/3201408>



Approvals

To download certificates, visit the product detail page: <https://www.phoenixcontact.com/gb/products/3201408>



cULus Listed

Approval ID: E488001

AI 2,5 - 8 BU-B - Ferrule

3201408

<https://www.phoenixcontact.com/gb/products/3201408>



Classifications

ECLASS

ECLASS-13.0	27400201
ECLASS-15.0	27400201

ETIM

ETIM 10.0	EC000005
-----------	----------

UNSPSC

UNSPSC 21.0	27121700
-------------	----------

AI 2,5 - 8 BU-B - Ferrule



3201408

<https://www.phoenixcontact.com/gb/products/3201408>

Environmental product compliance

EU RoHS

Fulfills EU RoHS substance requirements	Yes, No exemptions
---	--------------------

China RoHS

Environment friendly use period (EFUP)	EFUP-E
	No hazardous substances above the limits

EU REACH SVHC

REACH candidate substance (CAS No.)	No substance above 0.1 wt%
-------------------------------------	----------------------------

EF3.1 Climate Change

CO2e kg	0.003 kg CO2e
---------	---------------

Phoenix Contact 2026 © - all rights reserved
<https://www.phoenixcontact.com>

PHOENIX CONTACT Ltd
Halesfield 13, Telford
Shropshire, TF7 4PG
01952 681700
info@phoenixcontact.co.uk