

AI 25 -22 BK - Ferrule

3200739

<https://www.phoenixcontact.com/gb/products/3200739>



Please be informed that the data shown in this PDF document is generated from our online catalog. Please find the complete data in the user documentation. Our general terms of use for downloads are valid.

Ferrule, Length contact range: 22 mm, sleeve length: 36 mm, color: black



Your advantages

- In terms of dimensions, these ferrules conform to DIN 46228-4: 1990-09
- The color code of the plastic insulating collar is based on the French standard NF C 63-023: 1994-02
- The metal sleeves are made from soft tin-plated electrolytic copper

Commercial data

| | |
|--------------------------------------|---------------|
| Item number | 3200739 |
| Packing unit | 50 pc |
| Minimum order quantity | 50 pc |
| Sales key | BH3411 |
| Product key | BH3411 |
| GTIN | 4017918094324 |
| Weight per piece (including packing) | 1.463 g |
| Weight per piece (excluding packing) | 1.46 g |
| Customs tariff number | 85369010 |
| Country of origin | DE |

Technical data

Product properties

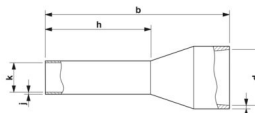
| | |
|--------------------|--|
| Product type | Cable end sleeve |
| Conductor category | stranded conductors, class 2, 5, 6 / B, C, K, M |
| Product property | UL certified |
| | Made from soft tin-plated electrolytic copper |
| | Correspond to the requirements of DIN 46228-4 and UL 486F in terms of size |
| | Plastic collar made of polypropylene |
| | Halogen-free |
| | Long/short-term temperature: +105°C/+120°C |

Connection data

Conductor connection

| | |
|---------------------------------------|--------------------|
| Conductor cross-section flexible max. | 25 mm ² |
| Conductor cross-section AWG max. | 4 |
| Stripping length | 26 mm |

Dimensions

| | |
|---|--|
| Dimensional drawing |  |
| Sleeve length | 36 mm |
| Length contact range | 22 mm |
| Maximum stripping length | 26 mm |
| Ferrule diameter | 7.3 mm |
| Sleeve wall thickness | 0.2 mm |
| Insulating collar thickness | 0.5 mm |
| Inner dimensions of the insulating collar | 11 mm |

Material specifications

| | |
|--|--------------------------------|
| Color | black (RAL 9005) |
| Material | CU-DHP |
| Flammability rating according to UL 94 | HB |
| Coating | galvanically tin-plated |
| Surface characteristics | Tin-plated |
| Components | free from silicone and halogen |

Mechanical properties

Technical data

AI 25 -22 BK - Ferrule



3200739

<https://www.phoenixcontact.com/gb/products/3200739>

| | |
|---------------|-------|
| Sleeve length | 36 mm |
|---------------|-------|

Environmental and real-life conditions

Ambient conditions

| | |
|------------------------|---|
| Permanent temperature | 105 °C (-40 °C no load / 0 °C dynamic load) |
| Short-term temperature | 120 °C |

Standards and regulations

| | |
|------------------------------|------------------------|
| Design according to standard | UL 486F-E, NF C 63-023 |
|------------------------------|------------------------|

Drawings

Dimensional drawing



Sleeve length (b), length contact range (h), insulating collar inner dimension (d), sleeve diameter (k), insulating collar thickness (i), sleeve wall thickness (j)

AI 25 -22 BK - Ferrule

3200739

<https://www.phoenixcontact.com/gb/products/3200739>



Approvals

To download certificates, visit the product detail page: <https://www.phoenixcontact.com/gb/products/3200739>



cULus Listed

Approval ID: E488001

AI 25 -22 BK - Ferrule



3200739

<https://www.phoenixcontact.com/gb/products/3200739>

Classifications

ECLASS

| | |
|-------------|----------|
| ECLASS-13.0 | 27400201 |
| ECLASS-15.0 | 27400201 |

ETIM

| | |
|-----------|----------|
| ETIM 10.0 | EC000005 |
|-----------|----------|

UNSPSC

| | |
|-------------|----------|
| UNSPSC 21.0 | 27121700 |
|-------------|----------|

Environmental product compliance

EU RoHS

| | |
|---|--------------------|
| Fulfills EU RoHS substance requirements | Yes, No exemptions |
|---|--------------------|

China RoHS

| | |
|--|--|
| Environment friendly use period (EFUP) | EFUP-E |
| | No hazardous substances above the limits |

EU REACH SVHC

| | |
|-------------------------------------|----------------------------|
| REACH candidate substance (CAS No.) | No substance above 0.1 wt% |
|-------------------------------------|----------------------------|

EF3.1 Climate Change

| | |
|---------|---------------|
| CO2e kg | 0.017 kg CO2e |
|---------|---------------|