

# UTWE 6/4+1 - Plug-in test socket



3069048

<https://www.phoenixcontact.com/gb/products/3069048>

Please be informed that the data shown in this PDF document is generated from our online catalog. Please find the complete data in the user documentation. Our general terms of use for downloads are valid.



Plug-in test socket, nom. voltage: 400 V, nominal current: 24 A, number of connections: 10, number of positions: 5, connection method: Screw connection, Rated cross section: 6 mm<sup>2</sup>, 1 level, cross section: 0.2 mm<sup>2</sup> - 10 mm<sup>2</sup>, mounting type: Panel mounting, color: gray

## Your advantages

- The automatically generated transformer short circuit and the shock-proof design ensure the highest degree of safety during measurement
- The integrated, robust switch contact is designed for the most stringent demands, and the use of high-quality materials ensures the transmission of signal currents, even after multiple actuations

## Commercial data

|                                      |               |
|--------------------------------------|---------------|
| Item number                          | 3069048       |
| Packing unit                         | 5 pc          |
| Minimum order quantity               | 5 pc          |
| Sales key                            | BE6111        |
| Product key                          | BE6111        |
| GTIN                                 | 4046356744874 |
| Weight per piece (including packing) | 218.74 g      |
| Weight per piece (excluding packing) | 211.12 g      |
| Customs tariff number                | 85369010      |
| Country of origin                    | PL            |

# UTWE 6/4+1 - Plug-in test socket



3069048

<https://www.phoenixcontact.com/gb/products/3069048>

## Technical data

### Product properties

|                       |                     |
|-----------------------|---------------------|
| Product type          | Test terminal strip |
| Product family        | FAME 1              |
| Number of positions   | 5                   |
| Pitch                 | 8.2 mm              |
| Number of connections | 10                  |
| Number of rows        | 1                   |
| Potentials            | 5                   |

### Insulation characteristics

|                      |     |
|----------------------|-----|
| Overvoltage category | III |
|----------------------|-----|

### Electrical properties

|   |        |
|---|--------|
| Rated surge voltage                             | 4 kV   |
| Maximum power dissipation for nominal condition | 1.31 W |
| Test surge voltage                              | 5 kV   |

### Connection data

|                       |                   |
|-----------------------|-------------------|
| Nominal cross section | 6 mm <sup>2</sup> |
|-----------------------|-------------------|

#### 1 level

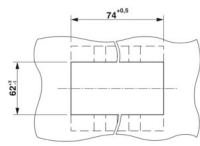
|   |  |
|---|--|
| Connection method   | Screw connection                                       |
| Screw thread  | M4   |
| Tightening torque   | 1.5 ... 1.8 Nm   |
| Stripping length  | 10 mm  |
| Internal cylindrical gage   | A5   |
| Connection in acc. with standard  | IEC 60947-7-1  |
| Conductor cross-section rigid   | 0.2 mm <sup>2</sup> ... 10 mm <sup>2</sup>             |
| Cross section AWG   | 24 ... 8 (converted acc. to IEC)                       |
| Conductor cross-section flexible  | 0.2 mm <sup>2</sup> ... 10 mm <sup>2</sup>             |
| Conductor cross-section, flexible [AWG]   | 24 ... 8 (converted acc. to IEC)                       |
| Conductor cross-section flexible (ferrule without plastic sleeve)                         | 0.25 mm <sup>2</sup> ... 6 mm <sup>2</sup>             |
| Flexible conductor cross-section (ferrule with plastic sleeve)                            | 0.25 mm <sup>2</sup> ... 6 mm <sup>2</sup>             |
| 2 conductors with same cross section, rigid   | 0.2 mm <sup>2</sup> ... 2.5 mm <sup>2</sup>            |
| 2 conductors with same cross section, flexible  | 0.2 mm <sup>2</sup> ... 2.5 mm <sup>2</sup>            |
| 2 conductors with same cross section, flexible, with ferrule without plastic sleeve       | 0.25 mm <sup>2</sup> ... 1.5 mm <sup>2</sup>           |
| 2 conductors with the same cross section, flexible, with TWIN ferrule with plastic sleeve | 0.5 mm <sup>2</sup> ... 2.5 mm <sup>2</sup>            |
| Nominal cross section   | 6 mm <sup>2</sup>                                      |
| Nominal current   | 24 A   |
| Maximum load current  | 30 A (with 10 mm <sup>2</sup> conductor cross-section) |
| Nominal voltage   | 400 V  |

# UTWE 6/4+1 - Plug-in test socket

3069048

<https://www.phoenixcontact.com/gb/products/3069048>

## Dimensions

|                     |  |
|---------------------|--|
| Dimensional drawing |  |
| Width               | 74 mm  |
| Height              | 81 mm  |
| Depth               | 81 mm  |
| Pitch               | 8.2 mm   |
| Plate thickness     | 1 mm ... 4 mm  |

## Material specifications

|   |                 |
|---|-----------------|
| Color   | gray (RAL 7042) |
| Flammability rating according to UL 94                                  | V0              |
| Insulating material group   | I               |
| Insulating material   | PA              |
| Static insulating material application in cold                          | -60 °C          |
| Temperature index of insulation material (DIN EN 60216-1 (VDE 0304-21)) | 125 °C          |
| Relative insulation material temperature index (Elec., UL 746 B)        | 130 °C          |
| Fire protection for rail vehicles (DIN EN 45545-2) R22                  | HL 1 - HL 3     |
| Fire protection for rail vehicles (DIN EN 45545-2) R23                  | HL 1 - HL 3     |
| Fire protection for rail vehicles (DIN EN 45545-2) R24                  | HL 1 - HL 3     |
| Fire protection for rail vehicles (DIN EN 45545-2) R26                  | HL 1 - HL 3     |
| Calorimetric heat release NFPA 130 (ASTM E 1354)                        | 27,5 MJ/kg      |
| Surface flammability NFPA 130 (ASTM E 162)                              | passed          |
| Specific optical density of smoke NFPA 130 (ASTM E 662)                 | passed          |
| Smoke gas toxicity NFPA 130 (SMP 800C)                                  | passed          |

## Electrical tests

### Surge voltage test

|                       |             |
|-----------------------|-------------|
| Test voltage setpoint | 4.8 kV      |
| Result                | Test passed |

### Temperature-rise test

|  |                                     |
|--|-------------------------------------|
| Requirement temperature-rise test              | Increase in temperature $\leq$ 45 K |
| Result   | Test passed                         |
| Short-time withstand current 4 mm <sup>2</sup> | 500 A                               |
|  | 300 A                               |
|  | 1250 A                              |
| Result   | Test passed                         |

### Power-frequency withstand voltage

# UTWE 6/4+1 - Plug-in test socket



3069048

<https://www.phoenixcontact.com/gb/products/3069048>

|                       |             |
|-----------------------|-------------|
| Test voltage setpoint | 1.89 kV     |
| Result                | Test passed |

## Mechanical properties

### General

|                         |                 |
|-------------------------|-----------------|
| Terminal block mounting | 0.8 Nm ... 1 Nm |
|-------------------------|-----------------|

### Mechanical data

|                 |    |
|-----------------|----|
| Open side panel | No |
|-----------------|----|

## Mechanical tests

### Mechanical strength

|        |             |
|--------|-------------|
| Result | Test passed |
|--------|-------------|

### Attachment on the carrier

|                         |                                       |
|-------------------------|---------------------------------------|
| DIN rail/fixing support | Panel cutout                          |
| Test force setpoint     | 5 N                                   |
| Result                  | Test passed                           |
| Note                    | Dimensions panel cutout see appendix. |

### Test for conductor damage and slackening

|                                |                              |
|--------------------------------|------------------------------|
| Rotation speed                 | 10 rpm                       |
| Revolutions                    | 135                          |
| Conductor cross-section/weight | 0.2 mm <sup>2</sup> / 0.2 kg |
|                                | 6 mm <sup>2</sup> / 1.4 kg   |
|                                | 10 mm <sup>2</sup> / 2 kg    |
| Result                         | Test passed                  |

## Environmental and real-life conditions

### Needle-flame test

|                  |             |
|------------------|-------------|
| Time of exposure | 30 s        |
| Result           | Test passed |

### Oscillation/broadband noise

|                        |  |
|------------------------|--|
| Specification          | DIN EN 50155 (VDE 0115-200):2008-03              |
| Spectrum               | Long life test category 1, class B, body mounted |
| Frequency              | $f_1 = 5 \text{ Hz}$ to $f_2 = 150 \text{ Hz}$   |
| ASD level              | 1.857 (m/s <sup>2</sup> )/Hz                     |
| Acceleration           | 0.8g   |
| Test duration per axis | 5 h  |
| Test directions        | X-, Y- and Z-axis                                |
| Result                 | Test passed                                      |

### Shocks

|               |                                     |
|---------------|-------------------------------------|
| Specification | DIN EN 50155 (VDE 0115-200):2008-03 |
|---------------|-------------------------------------|

# UTWE 6/4+1 - Plug-in test socket



3069048

<https://www.phoenixcontact.com/gb/products/3069048>

|                                |                                   |
|--------------------------------|-----------------------------------|
| Pulse shape                    | Half-sine                         |
| Acceleration                   | 5g                                |
| Shock duration                 | 30 ms                             |
| Number of shocks per direction | 3                                 |
| Test directions                | X-, Y- and Z-axis (pos. and neg.) |
| Result                         | Test passed                       |

## Ambient conditions

|  |   |
|--|---|
| Ambient temperature (storage/transport)  | -25 °C ... 60 °C (for a short time, not exceeding 24 h, -60 °C to +70 °C) |
| Ambient temperature (assembly)           | -5 °C ... 70 °C   |
| Ambient temperature (actuation)          | -5 °C ... 70 °C   |
| Permissible humidity (storage/transport) | 30 % ... 70 %   |

## Standards and regulations

|                                  |               |
|----------------------------------|---------------|
| Connection in acc. with standard | IEC 60947-7-1 |
|----------------------------------|---------------|

## Mounting

|                         |                 |
|-------------------------|-----------------|
| Mounting type           | Panel mounting  |
| Terminal block mounting | 0.8 Nm ... 1 Nm |

# UTWE 6/4+1 - Plug-in test socket

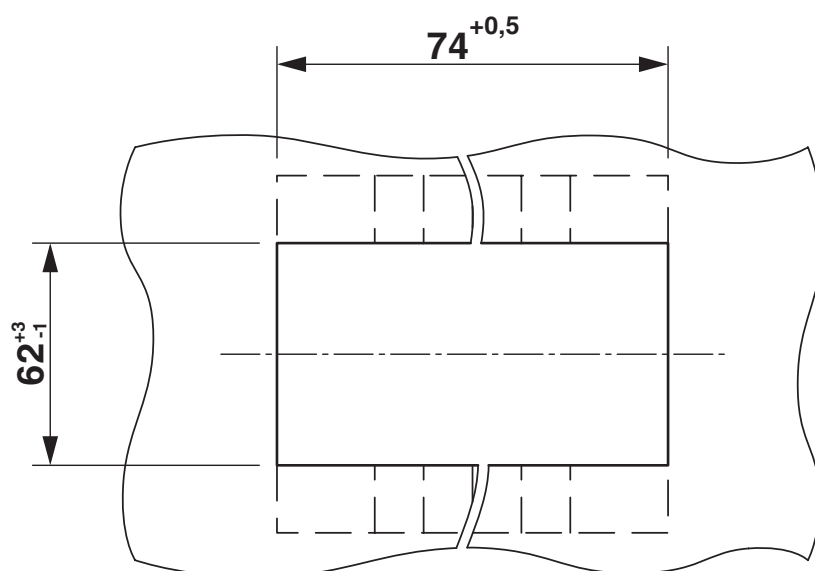
3069048

<https://www.phoenixcontact.com/gb/products/3069048>



## Drawings

Dimensional drawing



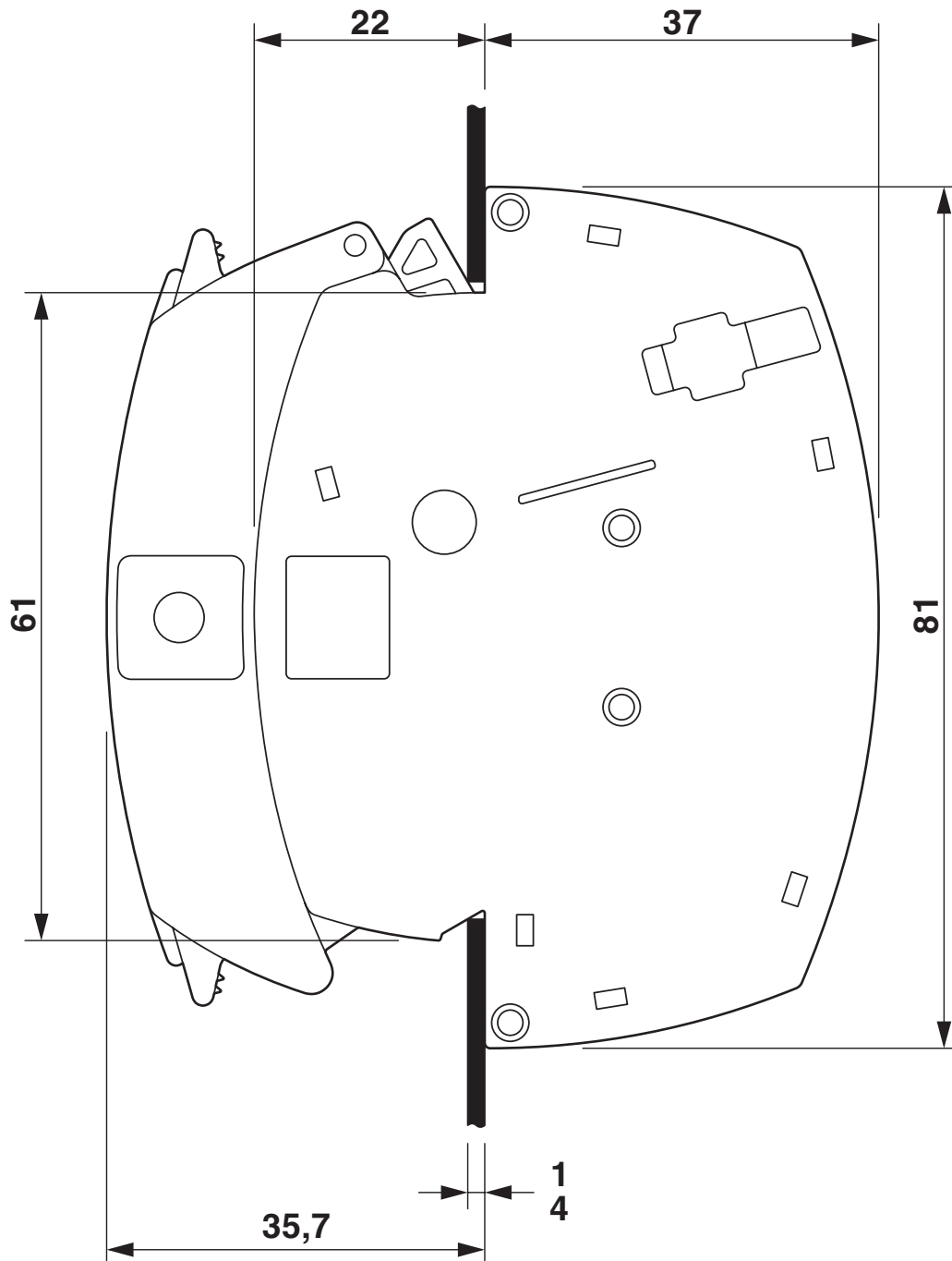
# UTWE 6/4+1 - Plug-in test socket

3069048

<https://www.phoenixcontact.com/gb/products/3069048>



Dimensional drawing



# UTWE 6/4+1 - Plug-in test socket

3069048

<https://www.phoenixcontact.com/gb/products/3069048>



## Circuit diagram



# UTWE 6/4+1 - Plug-in test socket




3069048


<https://www.phoenixcontact.com/gb/products/3069048>


## Approvals

To download certificates, visit the product detail page: <https://www.phoenixcontact.com/gb/products/3069048>

|  <b>CSA</b><br>Approval ID: 13631 |                       |                       |                   |                             |
|--|-----------------------|-----------------------|-------------------|-----------------------------|
|  | Nominal voltage $U_N$ | Nominal current $I_N$ | Cross section AWG | Cross section $\text{mm}^2$ |
| D  | 600 V                 | 5 A                   | 24 - 8            | -                           |
| B  | 600 V                 | 30 A                  | 24 - 8            | -                           |
| C  | 600 V                 | 30 A                  | 24 - 8            | -                           |

|  <b>EAC</b><br>Approval ID: RU C-DE.BL08.B.00682 |  |  |  |  |
|---|--|--|--|--|
|---|--|--|--|--|

|  <b>cULus Recognized</b><br>Approval ID: E60425 |                       |                       |                   |                             |
|--|-----------------------|-----------------------|-------------------|-----------------------------|
|  | Nominal voltage $U_N$ | Nominal current $I_N$ | Cross section AWG | Cross section $\text{mm}^2$ |
| F  | 400 V                 | 30 A                  | 24 - 8            | -                           |

|  <b>EAC</b><br>Approval ID: KZ7500651131219505 |  |  |  |  |
|---|--|--|--|--|
|---|--|--|--|--|

# UTWE 6/4+1 - Plug-in test socket



3069048

<https://www.phoenixcontact.com/gb/products/3069048>

## Classifications

### ECLASS

|             |          |
|-------------|----------|
| ECLASS-13.0 | 27250304 |
| ECLASS-15.0 | 27250304 |

### ETIM

|           |          |
|-----------|----------|
| ETIM 10.0 | EC002555 |
|-----------|----------|

### UNSPSC

|             |          |
|-------------|----------|
| UNSPSC 21.0 | 39121400 |
|-------------|----------|

# UTWE 6/4+1 - Plug-in test socket



3069048

<https://www.phoenixcontact.com/gb/products/3069048>

## Environmental product compliance

### EU RoHS

|   |      |
|---|------|
| Fulfills EU RoHS substance requirements | Yes  |
| Exemption                               | 6(c) |

### China RoHS

|  |   |
|--|---|
| Environment friendly use period (EFUP) | EFUP-50   |
|  | An article-related China RoHS declaration table can be found in the download area for the respective article under "Manufacturer declaration". For all articles with EFUP-E, no China RoHS declaration table issued and required. |

### EU REACH SVHC

|                                     |                                      |
|-------------------------------------|--------------------------------------|
| REACH candidate substance (CAS No.) | Lead(CAS: 7439-92-1)                 |
| SCIP                                | 80d9e026-e0b6-4b96-80ca-e19327e92619 |

### EF3.1 Climate Change

|         |               |
|---------|---------------|
| CO2e kg | 0.896 kg CO2e |
|---------|---------------|

Phoenix Contact 2026 © - all rights reserved  
<https://www.phoenixcontact.com>

PHOENIX CONTACT Ltd  
Halesfield 13, Telford  
Shropshire, TF7 4PG  
01952 681700  
[info@phoenixcontact.co.uk](mailto:info@phoenixcontact.co.uk)