

# SK 5 - Shield connection terminal block



3025338

<https://www.phoenixcontact.com/gb/products/3025338>

Please be informed that the data shown in this PDF document is generated from our online catalog. Please find the complete data in the user documentation. Our general terms of use for downloads are valid.

Shield connection clamp, for shield on busbars, contact resistance < 1 mΩ



## Your advantages

- Easy handling
- Spring-loaded, large-surface pressure plate
- Suitable for direct and busbar mounting
- Knurled screw
- As components, it is not possible to certify shield connections in accordance with the requirements of the directive and standards for electrical equipment in potentially explosive areas. As such, shield connection clamps can be used in the Ex area even without an appropriate approval or marking.

## Commercial data

Item number	3025338
Packing unit	10 pc
Minimum order quantity	10 pc
Sales key	BE7512
Product key	BE7512
GTIN	4046356051835
Weight per piece (including packing)	13 g
Weight per piece (excluding packing)	13.22 g
Customs tariff number	85369010
Country of origin	CN

# SK 5 - Shield connection terminal block

3025338

<https://www.phoenixcontact.com/gb/products/3025338>

## Technical data

### Notes

#### General

Note	The shield connection clamps must not be used for strain relief of cables/conductors. Do not use for protective conductor connection.
------	--

### Product properties

Product type	Shield connection clamp
Pitch	9 mm
Number of connections	1
Number of rows	1

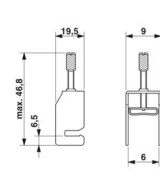
### Electrical properties

Maximum power dissipation for nominal condition	0 W
Contact resistance	< 0.001 $\Omega$

### Connection data

Grounding foot	Yes
Connection method	Screw connection
Screw thread	M4
Tightening torque	... 0.4 Nm

### Dimensions

Dimensional drawing	
Width	9 mm
Height	19.5 mm
Depth	46.8 mm
Pitch	9 mm

#### External dimensions

Outside diameter	2 mm ... 5 mm
------------------	---------------

### Material specifications

Color	silver-colored
Material	Steel

### Cable/line

External cable diameter	2 mm ... 5 mm
-------------------------	---------------

# SK 5 - Shield connection terminal block



3025338

<https://www.phoenixcontact.com/gb/products/3025338>

## Mechanical properties

### Mechanical data

Open side panel	No
-----------------	----

## Mechanical tests

### Mechanical strength

Result	Test passed
--------	-------------

## Environmental and real-life conditions

### Oscillation/broadband noise

Specification	DIN EN 50155 (VDE 0115-200):2008-03
Spectrum	Long life test category 1, class B, body mounted
Frequency	$f_1 = 5 \text{ Hz}$ to $f_2 = 150 \text{ Hz}$
ASD level	0.02g <sup>2</sup> /Hz
Acceleration	0.8g
Test duration per axis	5 h
Test directions	X-, Y- and Z-axis
Result	Test passed

### Shocks

Specification	DIN EN 50155 (VDE 0115-200):2008-03
Pulse shape	Half-sine
Acceleration	5g
Shock duration	30 ms
Number of shocks per direction	3
Test directions	X-, Y- and Z-axis (pos. and neg.)
Result	Test passed

## Mounting

Mounting type	Neutral busbar
---------------	----------------

# SK 5 - Shield connection terminal block

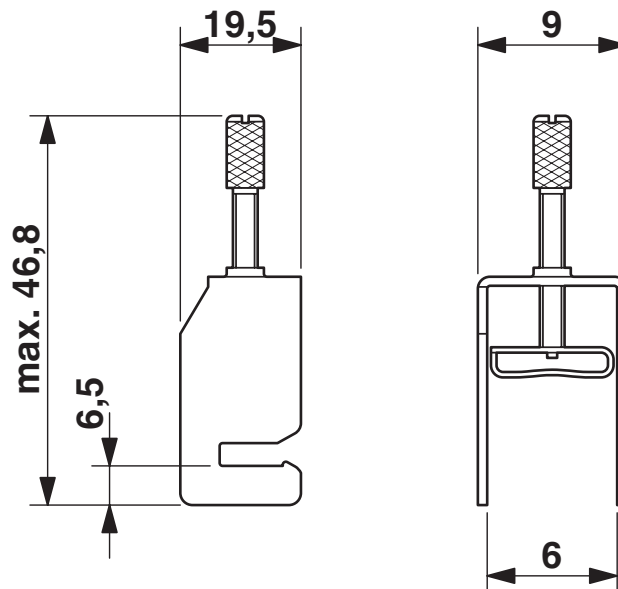
3025338

<https://www.phoenixcontact.com/gb/products/3025338>



## Drawings

Dimensional drawing



# SK 5 - Shield connection terminal block

3025338

<https://www.phoenixcontact.com/gb/products/3025338>

Diagram



# SK 5 - Shield connection terminal block



3025338

<https://www.phoenixcontact.com/gb/products/3025338>

## Classifications

### ECLASS

ECLASS-13.0	27250309
ECLASS-15.0	27250309

### ETIM

ETIM 10.0	EC002020
-----------	----------

### UNSPSC

UNSPSC 21.0	39121400
-------------	----------

# SK 5 - Shield connection terminal block



3025338

<https://www.phoenixcontact.com/gb/products/3025338>

## Environmental product compliance

### EU RoHS

Fulfills EU RoHS substance requirements	Yes, No exemptions
---	--------------------

### China RoHS

Environment friendly use period (EFUP)	EFUP-E
	No hazardous substances above the limits

### EU REACH SVHC

REACH candidate substance (CAS No.)	No substance above 0.1 wt%
-------------------------------------	----------------------------

### EF3.1 Climate Change

CO2e kg	0.148 kg CO2e
---------	---------------

Phoenix Contact 2026 © - all rights reserved  
<https://www.phoenixcontact.com>

PHOENIX CONTACT Ltd  
Halesfield 13, Telford  
Shropshire, TF7 4PG  
01952 681700  
[info@phoenixcontact.co.uk](mailto:info@phoenixcontact.co.uk)