

ELR W1/ 6-24DC - Reversing load relay



2982090

<https://www.phoenixcontact.com/gb/products/2982090>

Please be informed that the data shown in this PDF document is generated from our online catalog. Please find the complete data in the user documentation. Our general terms of use for downloads are valid.



Electronic reversing load relay, for controlling DC motors, with LED display and protective circuit, output: 10 ... 30 V DC/6 A with a switch-over time of 80 ms

Commercial data

Item number	2982090
Packing unit	1 pc
Minimum order quantity	1 pc
Note	Made to order (non-returnable)
Sales key	DK7622
Product key	DK7622
GTIN	4017918943936
Weight per piece (including packing)	118.9 g
Weight per piece (excluding packing)	112.3 g
Customs tariff number	85371098
Country of origin	DE

ELR W1/ 6-24DC - Reversing load relay



2982090

<https://www.phoenixcontact.com/gb/products/2982090>

Technical data

Product properties

Product type	Solid-state contactor
Product family	CONTACTRON
Operating mode	100% operating factor

Insulation characteristics: Air clearances and creepage distances between the power circuits

Insulation	Basic insulation
Overvoltage category	III
Pollution degree	2

Electrical properties

Number of phases	1
Test voltage (Input/output)	2.5 kV _{rms} (50 Hz, 60 s)

Supply

Input name	Device supply
Rated control circuit supply voltage U_S	24 V DC
Control supply voltage range	10 V DC ... 30 V DC
Rated control supply current I_S	7 mA
Protective circuit	Surge protection

Input data

Control

Input name	Control input right/left
Current consumption	3 mA
Rated actuating voltage U_C	24 V DC
Triggering voltage range	19.2 V DC ... 28.8 V DC
Rated actuating current I_C	3 mA
Typical response time	200 μ s
Protective circuit	Reverse polarity protection Surge protection
Surge voltage protection	> 33 V DC
Switchover time R_L/L_L (turn-on time)	80 ms

Output data

DC output

Rated operating voltage U_e	24 V DC
Operating voltage range	10 V DC ... 30 V DC
Rated operating current (Load output)	6 A
Load current	6 A (see to derating)
Quiescent current	approx. 7 mA (When switched off)

ELR W1/ 6-24DC - Reversing load relay



2982090

<https://www.phoenixcontact.com/gb/products/2982090>

Protective circuit	Reverse polarity protection
	Surge protection
Surge voltage protection	> 33 V DC
Current limitation at short-circuits	20 A

Connection data

Control circuits

Connection method	Screw connection
Stripping length	8 mm
Screw thread	M3
Conductor cross-section rigid	0.14 mm ² ... 2.5 mm ²
Conductor cross-section flexible	0.14 mm ² ... 2.5 mm ²
Conductor cross-section AWG	26 ... 14
Tightening torque	0.5 Nm ... 0.6 Nm
	5 lb _F -in. ... 7 lb _F -in.

Load circuit

Connection method	Screw connection
Stripping length	8 mm
Screw thread	M3
Conductor cross-section rigid	0.14 mm ² ... 2.5 mm ²
Conductor cross-section flexible	0.14 mm ² ... 2.5 mm ²
Conductor cross-section AWG	26 ... 14
Tightening torque	0.5 Nm ... 0.6 Nm
	5 lb _F -in. ... 7 lb _F -in.

Signaling

Status display	LED (yellow)
Operating voltage display	Green LED

Dimensions

Width	12.5 mm
Height	99 mm
Depth	114.5 mm

Material specifications

Color	gray (RAL 7042)
-------	-----------------

Environmental and real-life conditions

Ambient conditions

Degree of protection	IP20
Ambient temperature (operation)	-20 °C ... 60 °C
Ambient temperature (storage/transport)	-20 °C ... 80 °C

ELR W1/ 6-24DC - Reversing load relay



2982090

<https://www.phoenixcontact.com/gb/products/2982090>

Approvals

UKCA

Certificate	UKCA-compliant
-------------	----------------

UL approval

Certificate	NLDX.E228652
-------------	--------------

Standards and regulations

Air clearances and creepage distances between the power circuits

Standards/regulations	EN 50178
-----------------------	----------

Mounting

Mounting type	DIN rail mounting
Assembly note	alignable, for spacing see derating
Mounting position	vertical (horizontal DIN rail, motor output below)

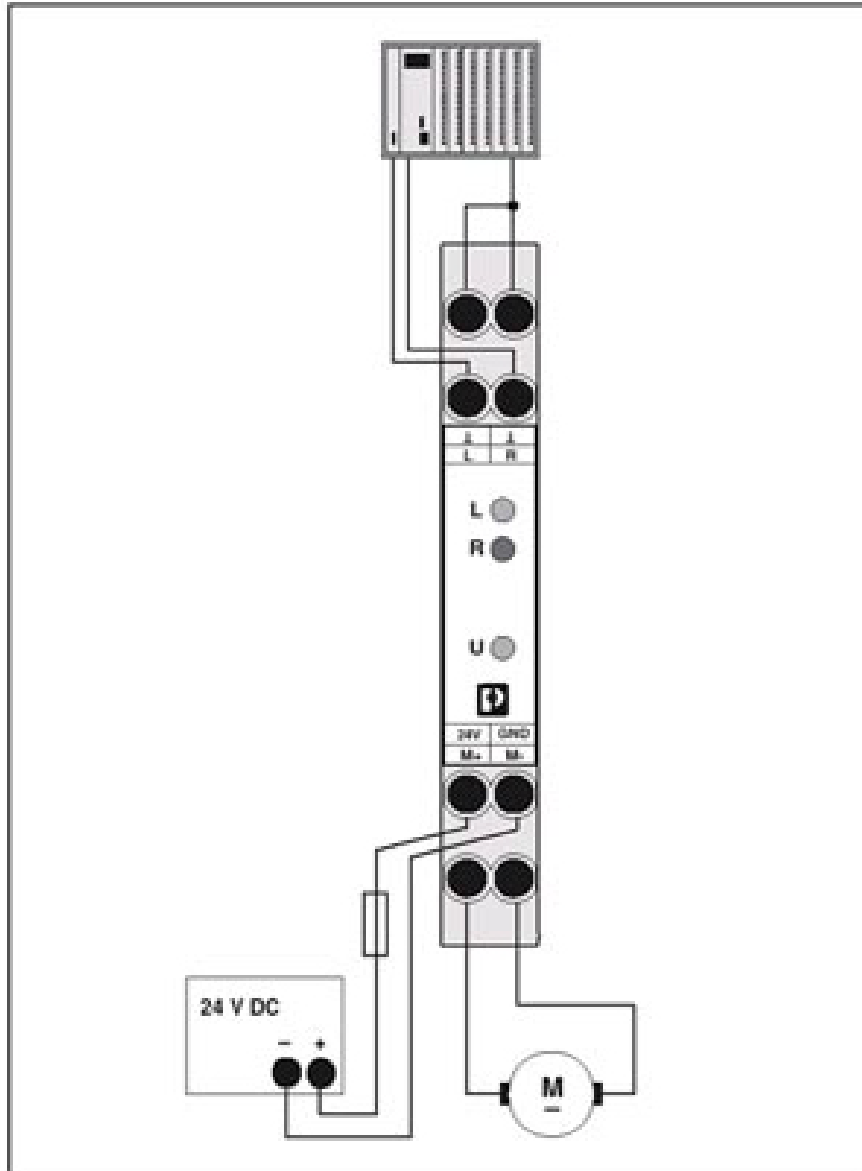
ELR W1/ 6-24DC - Reversing load relay

2982090

<https://www.phoenixcontact.com/gb/products/2982090>

Drawings

Application drawing



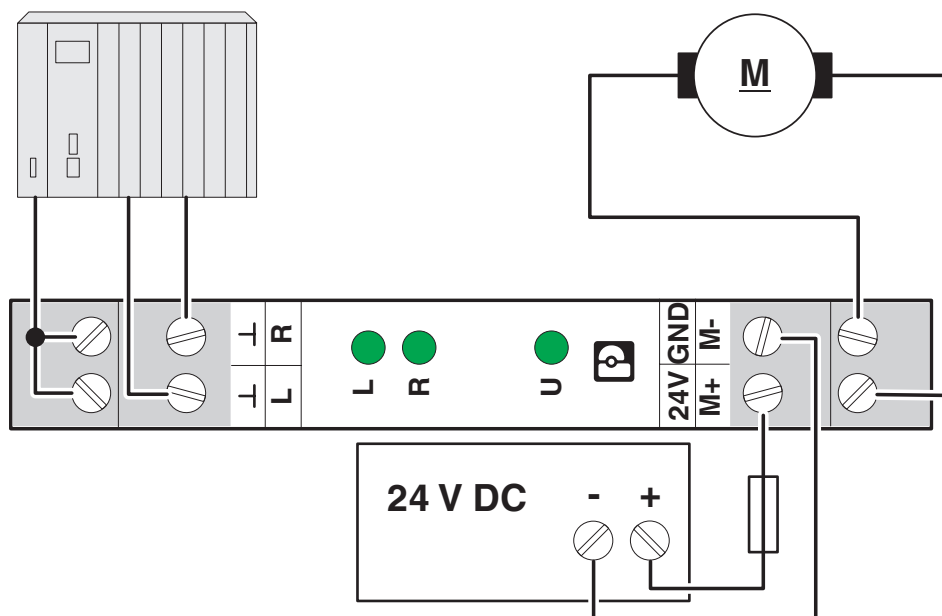
Example application

ELR W1/ 6-24DC - Reversing load relay

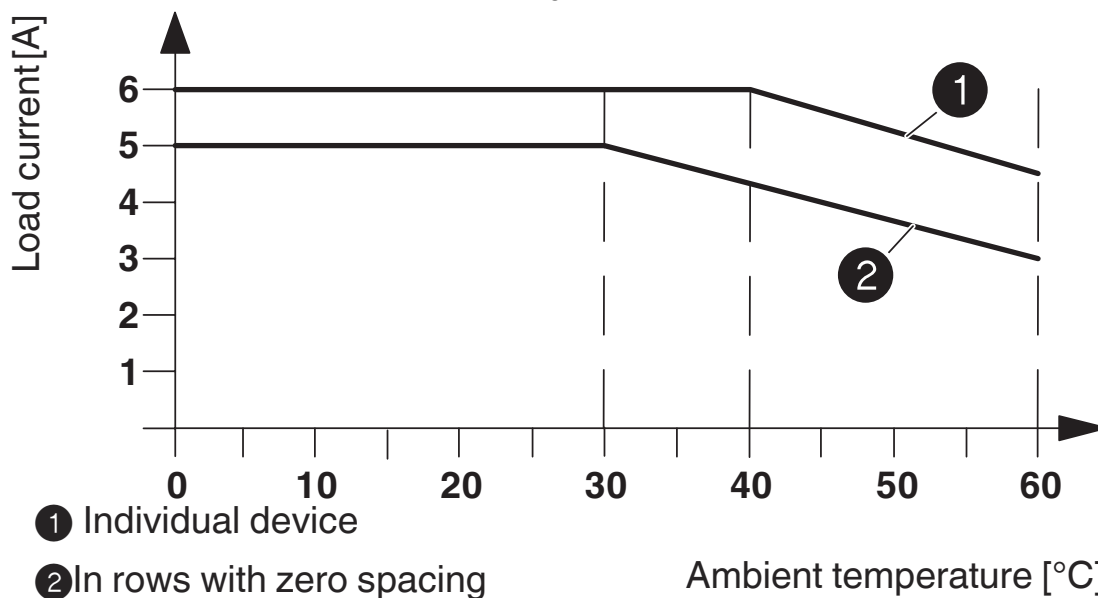
2982090

<https://www.phoenixcontact.com/gb/products/2982090>

Connection diagram



Diagram

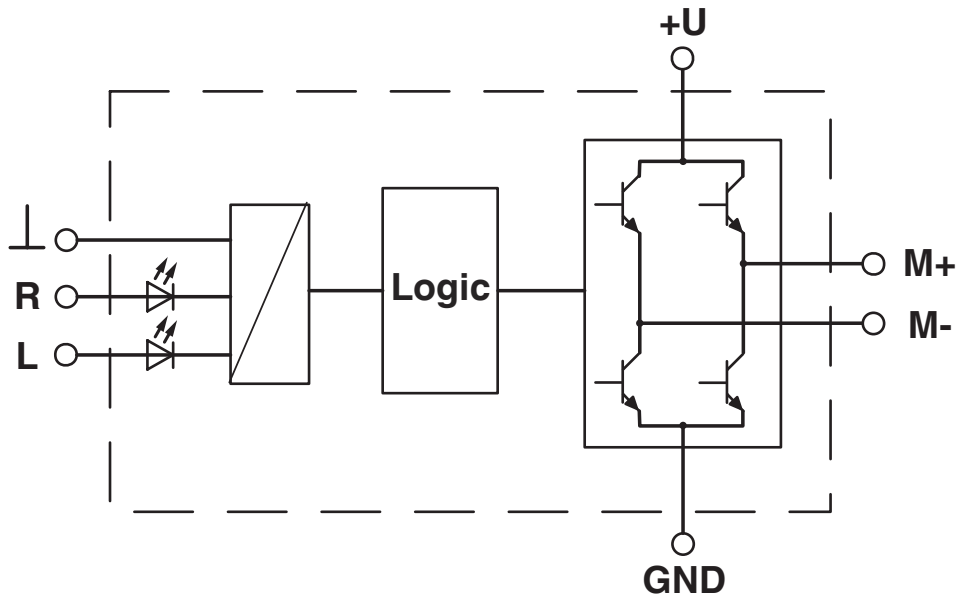


ELR W1/ 6-24DC - Reversing load relay

2982090

<https://www.phoenixcontact.com/gb/products/2982090>

Block diagram



ELR W1/ 6-24DC - Reversing load relay



2982090

<https://www.phoenixcontact.com/gb/products/2982090>

Classifications

ECLASS

ECLASS-13.0

27371018

ETIM

ETIM 9.0

EC002552

UNSPSC

UNSPSC 21.0

39122300

ELR W1/ 6-24DC - Reversing load relay



2982090

<https://www.phoenixcontact.com/gb/products/2982090>

Environmental product compliance

EU RoHS

Fulfills EU RoHS substance requirements	Yes
Exemption	7(a), 7(c)-I

China RoHS

Environment friendly use period (EFUP)	EFUP-50
	An article-related China RoHS declaration table can be found in the download area for the respective article under "Manufacturer declaration". For all articles with EFUP-E, no China RoHS declaration table issued and required.

EU REACH SVHC

REACH candidate substance (CAS No.)	Lead(CAS: 7439-92-1)
SCIP	845586cb-3ca9-4ee4-b734-70e61ddf1188

Phoenix Contact 2026 © - all rights reserved

<https://www.phoenixcontact.com>

PHOENIX CONTACT Ltd
Halesfield 13, Telford
Shropshire, TF7 4PG
01952 681700
info@phoenixcontact.co.uk