

PSR-SCP- 24DC/URM4/4X1/2X2/B - Extension module



2981677

<https://www.phoenixcontact.com/gb/products/2981677>

Please be informed that the data shown in this PDF document is generated from our online catalog. Please find the complete data in the user documentation. Our general terms of use for downloads are valid.



1-channel contact extension with TBUS interface, 4 N/O contacts, 1 N/C contact, 1 confirmation current path, undelayed, Cat. 4, PL e in accordance with EN ISO 13849, plug-in screw terminal blocks, width: 22.5 mm

Your advantages

- 4 enabling current paths, 1 signaling current path, and 1 confirmation current path
- Up to Cat. 4/PL e in accordance with EN ISO 13849-1, SIL 3 in accordance with EN IEC 62061, SIL 3 in accordance with IEC 61508

Commercial data

Item number	2981677
Packing unit	1 pc
Minimum order quantity	1 pc
Sales key	DNA231
Product key	DNA231
GTIN	4046356081535
Weight per piece (including packing)	173.74 g
Weight per piece (excluding packing)	152.96 g
Customs tariff number	85371098
Country of origin	DE

PSR-SCP- 24DC/URM4/4X1/2X2/B - Extension module



2981677

<https://www.phoenixcontact.com/gb/products/2981677>

Technical data

Notes

Note on application

Note on application	Only for industrial use
---------------------	-------------------------

Product properties

Product type	Safety relays
Product family	PSRclassic
Application	Extension module
Control	1-channel
Mechanical service life	approx. 10^7 cycles
Relay type	Electromechanical relay with force-guided contacts in accordance with IEC/EN 61810-3

Insulation characteristics

Overvoltage category	III
Degree of pollution	2

Times

Typ. starting time with U_s	10 ms (when controlled via K1/K2)
Typical release time	10 ms (when requested via K1/K2)

Electrical properties

Maximum power dissipation for nominal condition	16.14 W ($U_N = 26.4$ V, $I_L^2 = 72$ A ² , $P_{Total\ max} = 1.74$ W + 14.4 W)
Nominal operating mode	100% operating factor
Rated insulation voltage	250 V
Rated surge voltage/insulation	4 kV / basic isolation (safe isolation, reinforced insulation and 6 kV between input circuit/N/C contacts and enabling current paths).

Input data

Digital: K1/K2

Description of the input	safety-related
Number of inputs	1
Input voltage range "1" signal	21.6 V DC ... 26.4 V DC
Inrush current	< 130 mA ($\Delta t = 800$ ms)
Protective circuit	Suppressor diode
Current consumption	typ. 60 mA

Output data

Relay: Enabling current paths (23/24, 33/34, 43/44, 53/54)

Output description	2 N/O contacts each in series, safety-related, floating
Number of outputs	4

PSR-SCP- 24DC/URM4/4X1/2X2/B - Extension module



2981677

<https://www.phoenixcontact.com/gb/products/2981677>

Contact switching type	4 enabling current paths
Contact material	AgSnO ₂
Switching voltage	min. 5 V AC/DC
	max. 250 V AC/DC
Switching power	min. 50 mW
Inrush current	min. 10 mA
	max. 6 A
Switching capacity	5 A (AC15)
	6 A (DC13)
Limiting continuous current	6 A (Observe derating and load limit curve)
Sq. Total current	72 A ² (observe derating)
Switching frequency	max. 0.5 Hz
Mechanical service life	10x 10 ⁶ cycles
Output fuse	10 A gL/gG
	4 A gL/gG (for low-demand applications)

Relay: Confirmation current path (11/12)

Output description	Diagnostic contact, 2 NC in series, floating
Number of outputs	1
Contact switching type	2 N/C contacts in series, floating
Contact material	AgSnO ₂
Switching voltage	min. 5 V AC/DC
	max. 26.4 V AC/DC
Switching power	min. 50 mW
Inrush current	min. 10 mA
	max. 6 A
Switching capacity	1 A (AC15)
	1 A (DC13)
Limiting continuous current	1 A
Sq. Total current	1 A ²
Switching frequency	max. 0.5 Hz
Mechanical service life	10x 10 ⁶ cycles
Output fuse	1 A gL/gG

Relay: Signaling current path (61/62)

Output description	2 N/C contacts in parallel, floating
Number of outputs	1
Switching voltage	min. 5 V AC/DC
	250 V AC/DC
Switching power	min. 50 mW
Inrush current	min. 10 mA
	max. 6 A
Switching capacity	1 A (AC15)
	1 A (DC13)
Limiting continuous current	1 A

PSR-SCP- 24DC/URM4/4X1/2X2/B - Extension module



2981677

<https://www.phoenixcontact.com/gb/products/2981677>

Sq. Total current	1 A ²
Switching frequency	max. 0.5 Hz
Mechanical service life	10x 10 ⁶ cycles
Output fuse	1 A (gL/gG)

Connection data

Connection technology

pluggable	yes
-----------	-----

Conductor connection

Connection method	Screw connection
Conductor cross-section rigid	0.2 mm ² ... 2.5 mm ²
Conductor cross-section flexible	0.2 mm ² ... 2.5 mm ²
Conductor cross-section AWG	24 ... 12
Stripping length	7 mm
Screw thread	M3
Tightening torque	0.5 Nm ... 0.6 Nm

Signaling

Operating voltage display	1 x LED (green)
---------------------------	-----------------

Dimensions

Width	22.5 mm
Height	99 mm
Depth	114.5 mm

Material specifications

Color (Housing)	yellow (RAL 1018)
Housing material	PA

Characteristics

Safety data

Stop category (EN 60204-1)	0
----------------------------	---

Safety data: EN ISO 13849

Performance level (PL)	e (5 A DC13; 5 A AC15; 8760 switching cycles/year)
------------------------	--

Safety data: IEC 61508 - High demand

Safety Integrity Level (SIL)	3 (In conjunction with suitable evaluating device)
------------------------------	--

Safety data: IEC 61508 - Low demand

Safety Integrity Level (SIL)	3 (In conjunction with suitable evaluating device)
------------------------------	--

Safety data: EN IEC 62061

Safety Integrity Level (SIL)	3 (In conjunction with suitable evaluating device)
------------------------------	--

PSR-SCP- 24DC/URM4/4X1/2X2/B - Extension module



2981677

<https://www.phoenixcontact.com/gb/products/2981677>

Environmental and real-life conditions

Ambient conditions

Degree of protection	IP20
Min. degree of protection of inst. location	IP54
Ambient temperature (operation)	-20 °C ... 55 °C
Ambient temperature (storage/transport)	-40 °C ... 70 °C
Maximum altitude	≤ 2000 m (Above sea level)
Max. permissible humidity (storage/transport)	75 % (on average, 85% infrequently, non-condensing)
Max. permissible relative humidity (operation)	75 % (on average, 85% infrequently, non-condensing)

Approvals

CE

Identification	CE-compliant
----------------	--------------

Mounting

Mounting type	DIN rail mounting
Mounting position	any

PSR-SCP- 24DC/URM4/4X1/2X2/B - Extension module

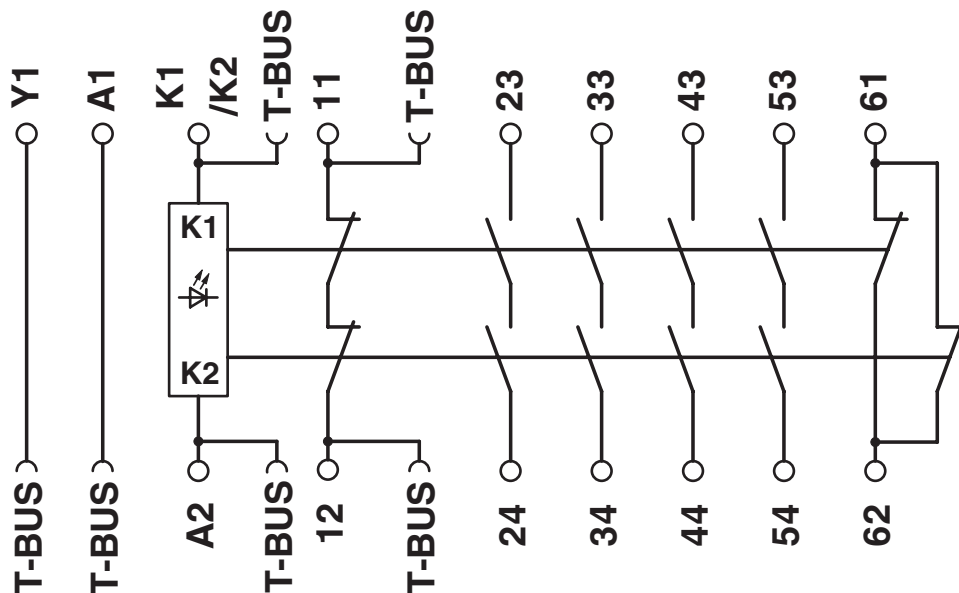


2981677

<https://www.phoenixcontact.com/gb/products/2981677>

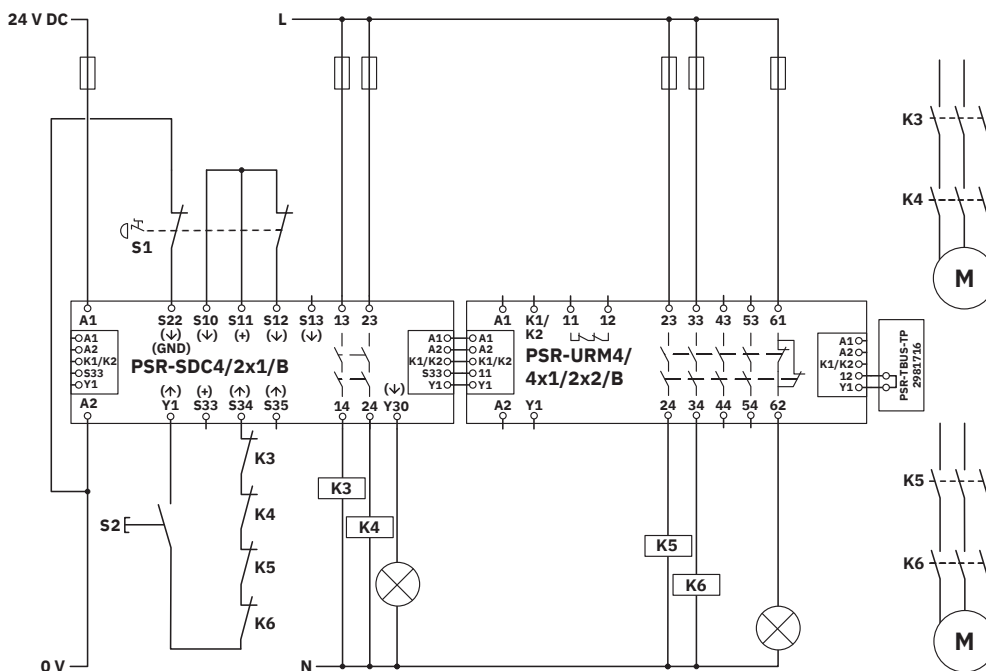
Drawings

Circuit diagram



Block diagram

Circuit diagram



Two-channel emergency stop monitoring with contact extension

PSR-SCP- 24DC/URM4/4X1/2X2/B - Extension module



2981677

<https://www.phoenixcontact.com/gb/products/2981677>

Approvals

To download certificates, visit the product detail page: <https://www.phoenixcontact.com/gb/products/2981677>



cULus Listed

Approval ID: E140324



Functional Safety

Approval ID: 968/FSP 1678.01/23

PSR-SCP- 24DC/URM4/4X1/2X2/B - Extension module



2981677

<https://www.phoenixcontact.com/gb/products/2981677>

Classifications

ECLASS

ECLASS-13.0	27371819
ECLASS-15.0	27371819
ECLASS-15.0 ASSET	27250101

ETIM

ETIM 10.0	EC001449
-----------	----------

UNSPSC

UNSPSC 21.0	39122200
-------------	----------

PSR-SCP- 24DC/URM4/4X1/2X2/B - Extension module



2981677

<https://www.phoenixcontact.com/gb/products/2981677>

Environmental product compliance

EU RoHS

Fulfills EU RoHS substance requirements	Yes
Exemption	7(a), 7(c)-I

China RoHS

Environment friendly use period (EFUP)	EFUP-50
	An article-related China RoHS declaration table can be found in the download area for the respective article under "Manufacturer declaration". For all articles with EFUP-E, no China RoHS declaration table issued and required.

EU REACH SVHC

REACH candidate substance (CAS No.)	Lead(CAS: 7439-92-1)
SCIP	ae472cca-ddf2-4e2d-9552-ba7913866d8a

EF3.1 Climate Change

CO2e kg	1.156 kg CO2e
---------	---------------

Phoenix Contact 2026 © - all rights reserved
<https://www.phoenixcontact.com>

PHOENIX CONTACT Ltd
Halesfield 13, Telford
Shropshire, TF7 4PG
01952 681700
info@phoenixcontact.co.uk