

OPT-24DC/ 24DC/ 2 - Miniature solid-state relay



2966595

<https://www.phoenixcontact.com/gb/products/2966595>

Technical data

Product properties

Product type	Single solid-state relay
Set comprises	2905293 RIF-0-OPT-24DC/24DC/2
Operating mode	100% operating factor

Insulation characteristics: Standards/regulations

Insulation	Basic insulation
Overvoltage category	III
Pollution degree	2

Data management status

Date of last data management	01.04.2026
------------------------------	------------

Electrical properties

Maximum power dissipation for nominal condition	0.17 W
Test voltage (Input/output)	2.5 kV (50 Hz, 1 min., input/output)

Input data

Nominal input voltage U_N	24 V DC
Input voltage range in reference to U_N	0.8 ... 1.2
Input voltage range	19.2 V DC ... 28.8 V DC
Switching threshold "0" signal in reference to U_N	0.4
Switching threshold "1" signal in reference to U_N	0.7
Typical input current at U_N	7 mA
Typical response time	20 μ s (at U_N)
Typical turn-off time	300 μ s (at U_N)
Transmission frequency	300 Hz

Output data

Contact switching type	1 N/O contact
Design of digital output	electronic
Output voltage range	3 V DC ... 33 V DC
Limiting continuous current	3 A (see derating curve)
Maximum inrush current	15 A (10 ms)
Voltage drop at max. limiting continuous current	\leq 150 mV
Output circuit	2-conductor, floating
Protective circuit	Reverse polarity protection Surge protection

Dimensions

Item dimensions

Width	5 mm
-------	------

OPT-24DC/ 24DC/ 2 - Miniature solid-state relay



2966595

<https://www.phoenixcontact.com/gb/products/2966595>

Height	28 mm
Depth	15 mm

Material specifications

Color	black (RAL 9005)
-------	------------------

Environmental and real-life conditions

Ambient conditions

Degree of protection	RT III
Ambient temperature (operation)	-25 °C ... 60 °C
Ambient temperature (storage/transport)	-25 °C ... 70 °C

Approvals

Corrosive gas test

Identification	ISA-S71.04. G3 Harsh Group
	EN 60068-2-60

Standards and regulations

Standards/regulations

Standards/regulations	IEC 60664
	EN 50178

Mounting

Assembly note	in rows with zero spacing
Mounting position	any

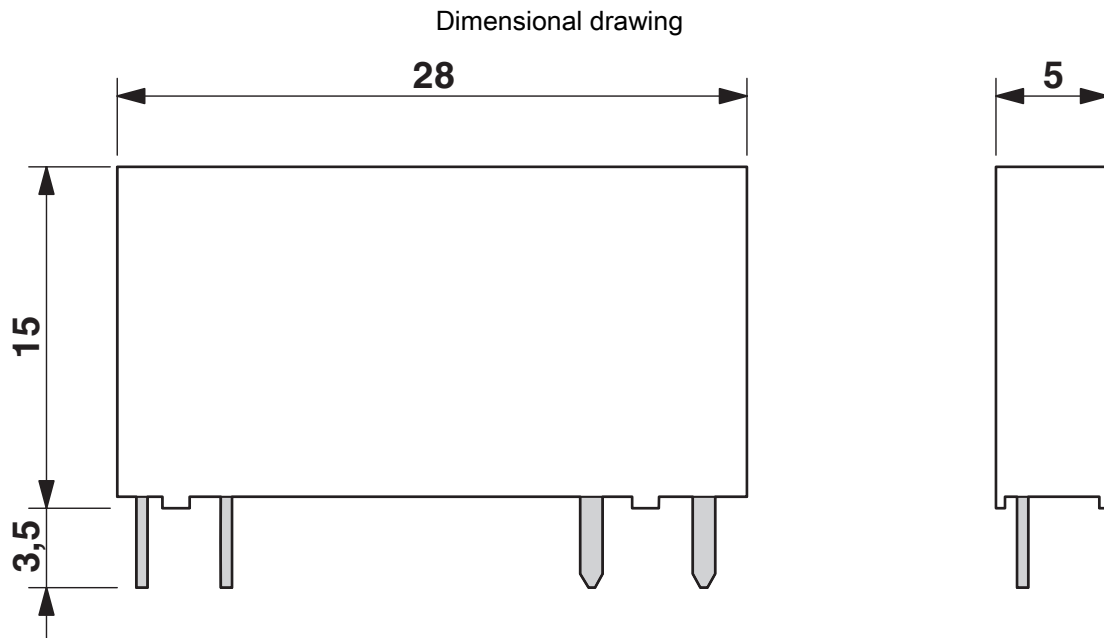
OPT-24DC/ 24DC/ 2 - Miniature solid-state relay



2966595

<https://www.phoenixcontact.com/gb/products/2966595>

Drawings



Diagram



OPT-24DC/ 24DC/ 2 - Miniature solid-state relay

2966595

<https://www.phoenixcontact.com/gb/products/2966595>

Circuit diagram



Drilling plan/solder pad geometry



a = pitch division 1.25 mm and 1.27 mm

OPT-24DC/ 24DC/ 2 - Miniature solid-state relay



2966595

<https://www.phoenixcontact.com/gb/products/2966595>

Approvals

To download certificates, visit the product detail page: <https://www.phoenixcontact.com/gb/products/2966595>



cUL Recognized
Approval ID: FILE E 195083



UL Recognized
Approval ID: FILE E 195083



UL Recognized
Approval ID: FILE E 195083



cUL Recognized
Approval ID: FILE E 195083



GL
Approval ID: 46016-03 HH

OPT-24DC/ 24DC/ 2 - Miniature solid-state relay



2966595

<https://www.phoenixcontact.com/gb/products/2966595>

Classifications

ECLASS

ECLASS-13.0	27371604
ECLASS-15.0	27371604

ETIM

ETIM 10.0	EC001504
-----------	----------

UNSPSC

UNSPSC 21.0	39122300
-------------	----------

OPT-24DC/ 24DC/ 2 - Miniature solid-state relay



2966595

<https://www.phoenixcontact.com/gb/products/2966595>

Environmental product compliance

EU RoHS

Fulfills EU RoHS substance requirements	Yes
Exemption	7(c)-I

China RoHS

Environment friendly use period (EFUP)	EFUP-50
	An article-related China RoHS declaration table can be found in the download area for the respective article under "Manufacturer declaration". For all articles with EFUP-E, no China RoHS declaration table issued and required.

EU REACH SVHC

REACH candidate substance (CAS No.)	No substance above 0.1 wt%
-------------------------------------	----------------------------

EF3.1 Climate Change

CO2e kg	0.467 kg CO2e
---------	---------------

Phoenix Contact 2026 © - all rights reserved
<https://www.phoenixcontact.com>

PHOENIX CONTACT Ltd
Halesfield 13, Telford
Shropshire, TF7 4PG
01952 681700
info@phoenixcontact.co.uk