

# PSR-SPP- 24UC/URM4/5X1/2X2 - Extension module



2964005

<https://www.phoenixcontact.com/gb/products/2964005>

Please be informed that the data shown in this PDF document is generated from our online catalog. Please find the complete data in the user documentation. Our general terms of use for downloads are valid.



The figure shows a version with a screw connection

Single-channel or two-channel contact extension, 5 N/O contacts, 1 N/C contact, 1 confirmation current path, together with basic device up to Cat. 4 PL e in accordance with EN ISO 13849 safe isolation, width: 35 mm, pluggable Push-in terminal block

## Your advantages

- Five enabling, one signaling, and one confirmation current path
- 1- and 2-channel control
- Up to Cat. 4/PL e in accordance with EN ISO 13849-1, SIL 3 in accordance with EN IEC 62061, SIL 3 in accordance with IEC 61508

## Commercial data

Item number	2964005
Packing unit	1 pc
Minimum order quantity	1 pc
Note	Made to order (non-returnable)
Sales key	DNA152
Product key	DNA152
GTIN	4017918904739
Weight per piece (including packing)	302.38 g
Weight per piece (excluding packing)	270.18 g
Customs tariff number	85371098
Country of origin	DE

## Technical data

### Notes

#### Note on application

Note on application	Only for industrial use
---------------------	-------------------------

### Product properties

Product type	Safety relays
Product family	PSRclassic
Application	Extension module
Control	1 and 2 channel
Mechanical service life	approx. $10^7$ cycles
Relay type	Safety relay for contact extension

#### Insulation characteristics: Air clearances and creepage distances between the power circuits

Overtoltage category	III
Degree of pollution	2

#### Times

Typ. starting time with $U_s$	< 20 ms (at $U_s$ / when controlled via A11/A12)
Typical release time	< 20 ms (at $U_s$ / when controlled via A11/A12)
Recovery time	< 1 s

### Electrical properties

Maximum power dissipation for nominal condition	15.8 W ( $U_s = 26.4$ V, $I_L^2 = 72$ A <sup>2</sup> , $P_{Total\ max} = 1.4$ W + 14.4 W)
Nominal operating mode	100% operating factor

#### Air clearances and creepage distances between the power circuits

Rated insulation voltage	250 V
Rated surge voltage/insulation	See data sheet, section "Insulation coordination".

### Input data

#### General

Rated control circuit supply voltage $U_s$	24 V -20 % ... +10 %
Power consumption at $U_s$	1 W (with DC)
	1.2 W (with AC)
Rated control supply current $I_s$	typ. 39 mA (per channel, DC)
	typ. 50 mA (per channel, AC)
Inrush current	typ. 200 mA ( $\Delta t = 2$ ms at $U_s$ , per channel)
Protective circuit	Surge protection; Varistor (40 V breakdown voltage)

### Output data

Contact switching type	5 enabling current paths
	1 confirmation current path

# PSR-SPP- 24UC/URM4/5X1/2X2 - Extension module



2964005

<https://www.phoenixcontact.com/gb/products/2964005>

	1 signaling current path
Contact material	AgSnO <sub>2</sub>
Maximum switching voltage	250 V AC/DC
Minimum switching voltage	5 V AC/DC
Limiting continuous current	6 A (N/O contact) 3 A (N/C contact 11/12) 6 A (N/C contact 71/72)
Maximum inrush current	6 A
Inrush current, minimum	10 mA
Sq. Total current	$72 \text{ A}^2 (I_{\text{TH}}^2 = I_1^2 + I_2^2 + \dots + I_5^2)$
Switching power min.	50 mW
Switching capacity in accordance with IEC 60947-5-1	3 A (AC15) 5 A (DC13)
Output fuse	10 A gL/gG (N/O contact) 6 A gL/gG (N/C contact)

## Relay

Interrupting rating (ohmic load) max.	see load limit curve
---------------------------------------	----------------------

## Connection data

### Connection technology

pluggable	yes
-----------	-----

### Conductor connection

Connection method	Push-in connection
Conductor cross-section rigid	0.2 mm <sup>2</sup> ... 1.5 mm <sup>2</sup>
Conductor cross-section flexible	0.2 mm <sup>2</sup> ... 1.5 mm <sup>2</sup>
Conductor cross-section, flexible, with ferrule, with plastic sleeve	0.25 mm <sup>2</sup> ... 1.5 mm <sup>2</sup> (only together with CRIMPFOX 6)
Conductor cross-section, flexible, with ferrule, without plastic sleeve	0.25 mm <sup>2</sup> ... 1.5 mm <sup>2</sup> (only together with CRIMPFOX 6)
Conductor cross-section AWG	24 ... 16
Stripping length	8 mm

## Signaling

Operating voltage display	2 x green LED
---------------------------	---------------

## Dimensions

Width	35 mm
Height	112 mm
Depth	114.5 mm

## Material specifications

Color (Housing)	yellow (RAL 1018)
Housing material	PA

## Characteristics

### Safety data

Stop category (EN 60204-1)	0
Safety data: EN ISO 13849	
Performance level (PL)	e (In conjunction with suitable evaluating device)
Safety data: IEC 61508 - High demand	
Safety Integrity Level (SIL)	3 (In conjunction with suitable evaluating device)
Safety data: IEC 61508 - Low demand	
Safety Integrity Level (SIL)	3 (In conjunction with suitable evaluating device)
Safety data: EN IEC 62061	
Safety Integrity Level (SIL)	3 (In conjunction with suitable evaluating device)

## Environmental and real-life conditions

### Ambient conditions

Degree of protection	IP20
Min. degree of protection of inst. location	IP54
Ambient temperature (operation)	-20 °C ... 55 °C (observe derating)
Ambient temperature (storage/transport)	-40 °C ... 70 °C
Maximum altitude	≤ 2000 m (Above sea level)
Max. permissible humidity (storage/transport)	75 % (on average, 85% infrequently, non-condensing)
Max. permissible relative humidity (operation)	75 % (on average, 85% infrequently, non-condensing)
Shock	15g
Vibration (operation)	10 Hz ... 150 Hz, 2g

## Standards and regulations

### Air clearances and creepage distances between the power circuits

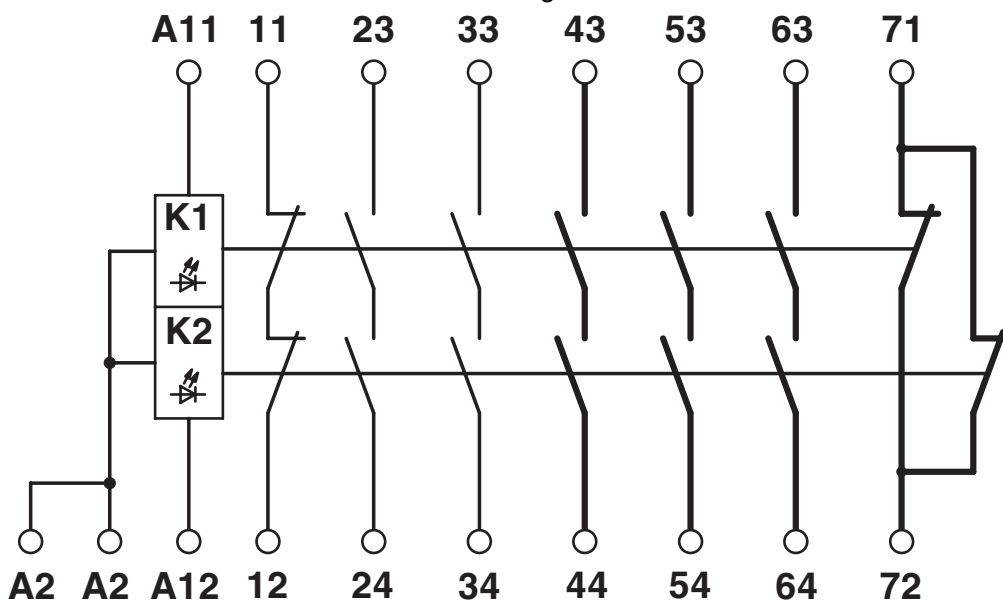
Standards/regulations	EN 60947-5-1
-----------------------	--------------

## Mounting

Mounting type	DIN rail mounting
Assembly note	Observe derating
Mounting position	vertical or horizontal

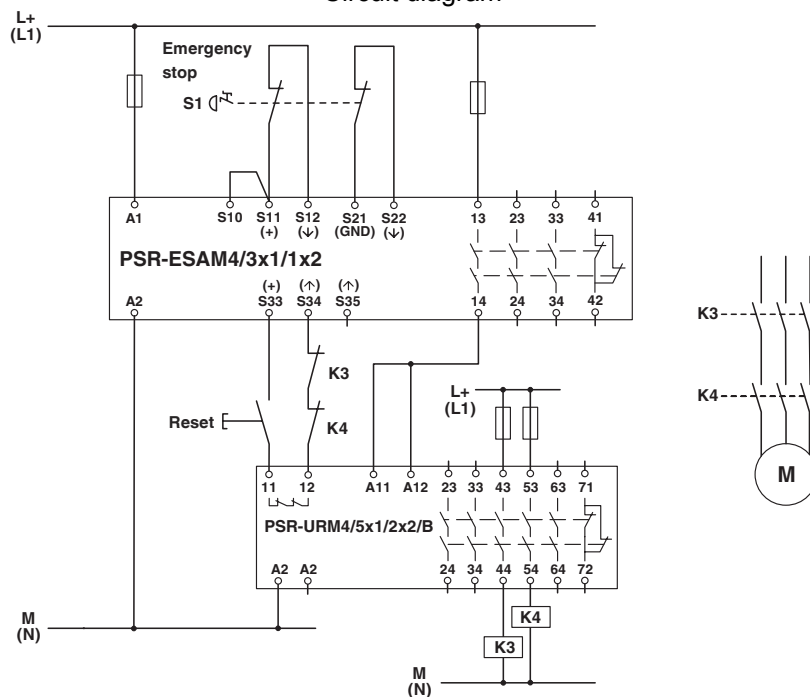
Drawings

Circuit diagram



Block diagram

Circuit diagram



1-channel connection with integration of the confirmation current path and externally monitored contacts

2964005

<https://www.phoenixcontact.com/gb/products/2964005>

## Classifications

### ECLASS

ECLASS-13.0

27371819

### ETIM

ETIM 9.0

EC001449

### UNSPSC

UNSPSC 21.0

39122200

2964005

<https://www.phoenixcontact.com/gb/products/2964005>

## Environmental product compliance

### EU RoHS

Fulfills EU RoHS substance requirements	Yes
Exemption	7(a), 7(c)-I

### China RoHS

Environment friendly use period (EFUP)	EFUP-50
	An article-related China RoHS declaration table can be found in the download area for the respective article under "Manufacturer declaration". For all articles with EFUP-E, no China RoHS declaration table issued and required.

### EU REACH SVHC

REACH candidate substance (CAS No.)	Lead(CAS: 7439-92-1)
SCIP	01857381-50d7-4de5-a5e9-9eb7c843ccd1

Phoenix Contact 2026 © - all rights reserved

<https://www.phoenixcontact.com>

PHOENIX CONTACT Ltd  
Halesfield 13, Telford  
Shropshire, TF7 4PG  
01952 681700  
[info@phoenixcontact.co.uk](mailto:info@phoenixcontact.co.uk)