

EMG 45-DIO14M/LP - Diode block

2950132

<https://www.phoenixcontact.com/gb/products/2950132>

Please be informed that the data shown in this PDF document is generated from our online catalog. Please find the complete data in the user documentation. Our general terms of use for downloads are valid.

Lamp test module, 2 diodes with common cathode: with 7 pairs, with common triggering



Commercial data

Item number	2950132
Packing unit	5 pc
Minimum order quantity	5 pc
Sales key	DK66M1
Product key	DK66M1
GTIN	4017918083984
Weight per piece (including packing)	86.886 g
Weight per piece (excluding packing)	86 g
Customs tariff number	85411000
Country of origin	DE

EMG 45-DIO14M/LP - Diode block



2950132

<https://www.phoenixcontact.com/gb/products/2950132>

Technical data

Product properties

Product type	Lamp testing module
--------------	---------------------

Insulation characteristics

Pollution degree	2
------------------	---

Input data

Diode

Description of the input	14 diodes, groups of 2 diodes with common cathode. Version: With 7 pairs, with common triggering
Diode type	1 N 4007
Max. operating voltage U_{max}	250 V AC
Peak reverse voltage per diode	1300 V
Reverse current per diode	$\leq 5 \mu\text{A}$
Conducting state voltage per diode	approx. 0.8 V
Conducting state current per diode	0.7 A (with single load) 0.2 A (with simultaneous loads)

Connection data

Connection method	Screw connection
Stripping length	8 mm
Screw thread	M3
Conductor cross-section rigid	0.2 mm ² ... 4 mm ²
Conductor cross-section flexible	0.2 mm ² ... 2.5 mm ²
Conductor cross-section AWG	24 ... 12

Dimensions

Width	45 mm
Height	75 mm
Depth	55 mm

Material specifications

Color	green (RAL 6021)
-------	------------------

Environmental and real-life conditions

Ambient conditions

Ambient temperature (operation)	-20 °C ... 50 °C
Ambient temperature (storage/transport)	-40 °C ... 70 °C

Approvals

CE

EMG 45-DIO14M/LP - Diode block



2950132

<https://www.phoenixcontact.com/gb/products/2950132>

Certificate	CE-compliant
Note	and EN 61326

Standards and regulations

Standards/regulations	DIN EN 50178
-----------------------	--------------

Mounting

Mounting type	DIN rail mounting
Assembly note	in rows with zero spacing
Mounting position	any

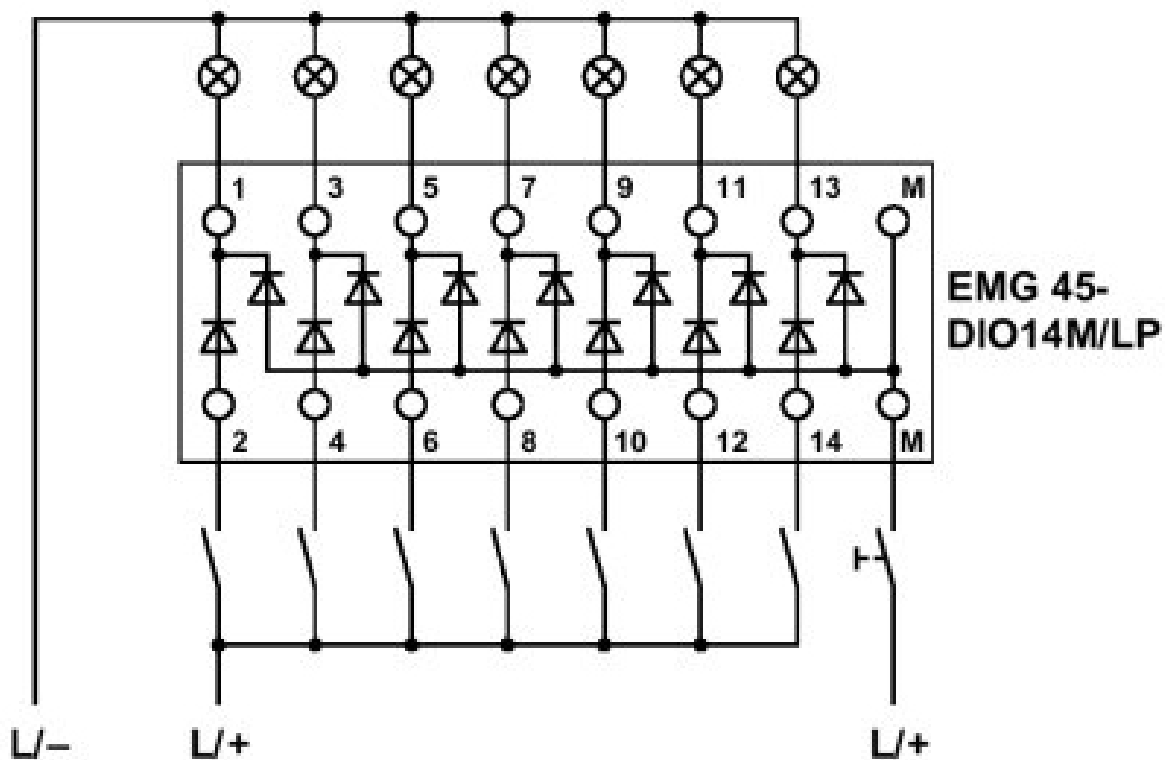
EMG 45-DIO14M/LP - Diode block

2950132

<https://www.phoenixcontact.com/gb/products/2950132>

Drawings

Application drawing

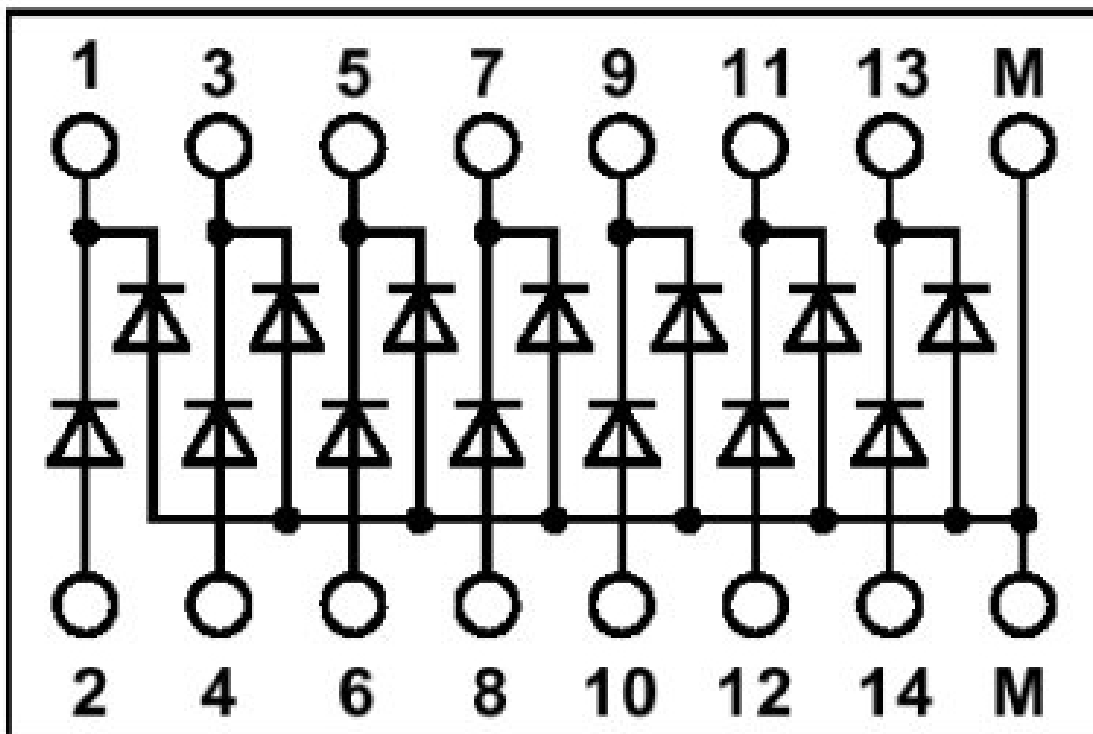


EMG 45-DIO14M/LP - Diode block

2950132

<https://www.phoenixcontact.com/gb/products/2950132>

Circuit diagram



EMG 45-DIO14M/LP - Diode block



2950132

<https://www.phoenixcontact.com/gb/products/2950132>

Approvals

To download certificates, visit the product detail page: <https://www.phoenixcontact.com/gb/products/2950132>



EAC

Approval ID: RU*DE*08.B.01841/19

EMG 45-DIO14M/LP - Diode block



2950132

<https://www.phoenixcontact.com/gb/products/2950132>

Classifications

ECLASS

ECLASS-13.0	27371010
ECLASS-15.0	27371010

ETIM

ETIM 10.0	EC000683
-----------	----------

UNSPSC

UNSPSC 21.0	32151500
-------------	----------

EMG 45-DIO14M/LP - Diode block



2950132

<https://www.phoenixcontact.com/gb/products/2950132>

Environmental product compliance

EU RoHS

Fulfills EU RoHS substance requirements	Yes
Exemption	7(a), 7(c)-I

China RoHS

Environment friendly use period (EFUP)	EFUP-50
	An article-related China RoHS declaration table can be found in the download area for the respective article under "Manufacturer declaration". For all articles with EFUP-E, no China RoHS declaration table issued and required.

EU REACH SVHC

REACH candidate substance (CAS No.)	Lead(CAS: 7439-92-1)
SCIP	b9e5d213-d515-410e-a69e-341c5384f865

EF3.1 Climate Change

CO2e kg	1.285 kg CO2e
---------	---------------

Phoenix Contact 2026 © - all rights reserved
<https://www.phoenixcontact.com>

PHOENIX CONTACT Ltd
Halesfield 13, Telford
Shropshire, TF7 4PG
01952 681700
info@phoenixcontact.co.uk