

DEK-REL- 24/I/1 - Relay module



2940171

<https://www.phoenixcontact.com/gb/products/2940171>

Please be informed that the data shown in this PDF document is generated from our online catalog. Please find the complete data in the user documentation. Our general terms of use for downloads are valid.



Relay terminal block, with soldered-in miniature relays, contact (AgNi+Au): small to medium loads, 1 N/O contact, input voltage 24 V AC/DC, for assembly on NS 35/7.5, terminal width 6.2 mm

Your advantages

- Reduced costs as N terminal block is no longer required
- Up to 73 % more space
- Wiring reduced to a minimum
- 2-layer contact with hard gold plating for universal applications from 1 mA to 5 A continuous current
- 2 kV_{rms} electrical isolation between input and output
- Integrated input circuit

Commercial data

Item number	2940171
Packing unit	10 pc
Minimum order quantity	10 pc
Note	Made to order (non-returnable)
Sales key	DK61A2
Product key	DK61A2
GTIN	4017918079895
Weight per piece (including packing)	23.31 g
Weight per piece (excluding packing)	19 g
Customs tariff number	85364190
Country of origin	CN

DEK-REL- 24/I/1 - Relay module



2940171

<https://www.phoenixcontact.com/gb/products/2940171>

Technical data

Notes

Note on application	Use of EB 80-DIK... bridges in the DEK terminal blocks: Absorption of humidity from the ambient air as well as an unfavorable tolerance between a larger number of DEK terminal blocks and the EB 80-DIK... bridge may cause (minor) expansion of the DEK housing. When the EB 80-DIK... bridges are used, therefore, it is recommended that these be disconnected after about 10 to 12 DEK terminal blocks and a wire bridge to the next DEK terminal block be inserted in their place.
---------------------	---

Product properties

Product type	Relay Module
Product family	DEK
Application	Output function
Operating mode	100% operating factor
Mechanical service life	approx. 2×10^7 cycles

Insulation characteristics

Insulation	Basic insulation
Overvoltage category	III
Pollution degree	2

Data management status

Date of last data management	01.04.2026
------------------------------	------------

Electrical properties

Maximum power dissipation for nominal condition	0.16 W
Test voltage (Winding/contact)	2 kV AC (50 Hz, 1 min., winding/contact)

Input data

Coil side

Nominal input voltage U_N	24 V AC/DC
Input voltage range	19.2 V AC/DC ... 26.4 V AC/DC (20 °C)
Drive and function	monostable
Drive (polarity)	polarized
Typical input current at U_N	6.5 mA
Typical response time	5 ms
Typical release time	15 ms
Protective circuit	Bridge rectifier; Bridge rectifier
Operating voltage display	Yellow LED

Output data

Switching

Contact switching type	1 N/O contact
------------------------	---------------

DEK-REL- 24/I/1 - Relay module



2940171

<https://www.phoenixcontact.com/gb/products/2940171>

Type of switch contact	Double contact
Contact material	AgNi, hard gold-plated
Maximum switching voltage	250 V AC
	125 V DC
Minimum switching voltage	0.1 V
Limiting continuous current	3 A (5 A up to 35°C at 24 V DC)
Maximum inrush current	5 A
Min. switching current	1 mA
Interrupting rating (ohmic load) max.	72 W (at 24 V DC)
	60 W (at 48 V DC)
	50 W (at 60 V DC)
	50 W (at 110 V DC)
	750 VA (for 250 V AC)
	120 W (at 24 V DC - up to 35°)

Connection data

Connection method	Screw connection
Stripping length	8 mm
Screw thread	M3
Conductor cross-section rigid	0.2 mm ² ... 2.5 mm ²
Conductor cross-section flexible	0.2 mm ² ... 2.5 mm ²
Conductor cross-section AWG	24 ... 14
Tightening torque	0.4 Nm ... 0.5 Nm

Dimensions

Item dimensions

Width	6.2 mm
Height	80 mm
Depth	56 mm

Material specifications

Color	green (RAL 6021)
-------	------------------

Environmental and real-life conditions

Ambient conditions

Ambient temperature (operation)	-20 °C ... 50 °C
Ambient temperature (storage/transport)	-20 °C ... 70 °C

Standards and regulations

Standards/regulations	IEC 60947-5-1
-----------------------	---------------

Mounting

Mounting type	DIN rail mounting
Assembly note	in rows with zero spacing

DEK-REL- 24/I/1 - Relay module

2940171

<https://www.phoenixcontact.com/gb/products/2940171>



Mounting position	any
-------------------	-----

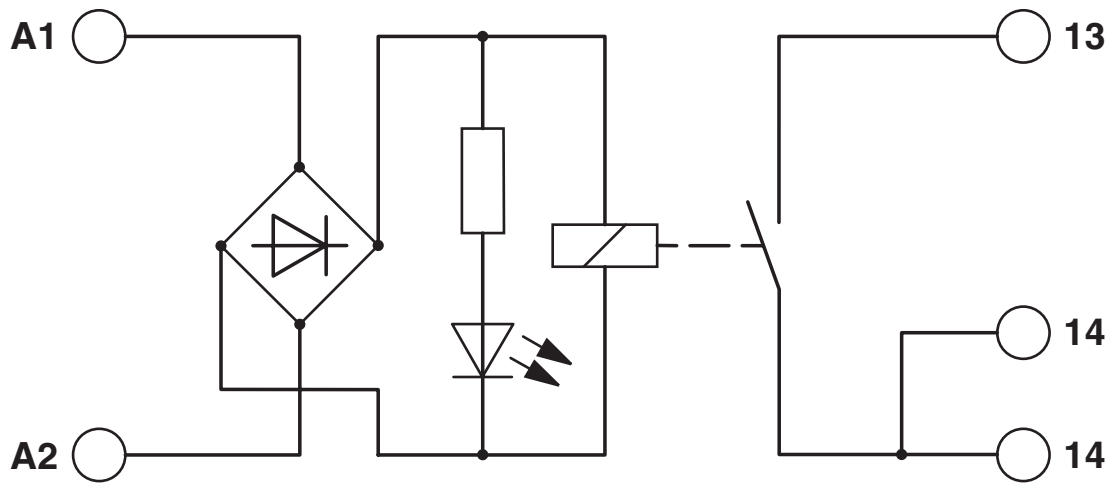
DEK-REL- 24/I/1 - Relay module

2940171

<https://www.phoenixcontact.com/gb/products/2940171>

Drawings

Circuit diagram



DEK-REL- 24/I/1 - Relay module



2940171

<https://www.phoenixcontact.com/gb/products/2940171>

Approvals

To download certificates, visit the product detail page: <https://www.phoenixcontact.com/gb/products/2940171>



cUL Recognized
Approval ID: E238705



UL Recognized
Approval ID: E238705

DEK-REL- 24/I/1 - Relay module



2940171

<https://www.phoenixcontact.com/gb/products/2940171>

Classifications

ECLASS

ECLASS-13.0	27371601
ECLASS-15.0	27371601

ETIM

ETIM 10.0	EC001437
-----------	----------

UNSPSC

UNSPSC 21.0	39122300
-------------	----------

2940171

<https://www.phoenixcontact.com/gb/products/2940171>

Environmental product compliance

EU RoHS

Fulfills EU RoHS substance requirements	Yes
Exemption	7(a), 7(c)-I

China RoHS

Environment friendly use period (EFUP)	EFUP-50
	An article-related China RoHS declaration table can be found in the download area for the respective article under "Manufacturer declaration". For all articles with EFUP-E, no China RoHS declaration table issued and required.

EU REACH SVHC

REACH candidate substance (CAS No.)	Lead(CAS: 7439-92-1)
SCIP	9b235608-6f54-4508-85fb-8f2708416cbb

Phoenix Contact 2026 © - all rights reserved

<https://www.phoenixcontact.com>

PHOENIX CONTACT Ltd
Halesfield 13, Telford
Shropshire, TF7 4PG
01952 681700
info@phoenixcontact.co.uk