

VAL-MS 750/30/3+0 - Type 2 surge arrester

2920269

<https://www.phoenixcontact.com/gb/products/2920269>

Please be informed that the data shown in this PDF document is generated from our online catalog. Please find the complete data in the user documentation. Our general terms of use for downloads are valid.



Surge arrester for 4-conductor power supply systems (L1, L2, L3, PEN), consisting of a base element and protective connectors, for mounting on NS 35.

Your advantages

- Quality proven millions of times over in the widest range of applications
- Rapid installation with bridges, thanks to industry-standard overall width of 1 HP
- Easy testing and insulation measurement, thanks to pluggable protection modules
- Can be used in high-performance industrial networks and wind turbine generators (stator) due to the high nominal voltage

Commercial data

Item number	2920269
Packing unit	1 pc
Minimum order quantity	1 pc
Note	Made to order (non-returnable)
Sales key	CL1321
Product key	CL1321
GTIN	4046356157902
Weight per piece (including packing)	402.6 g
Weight per piece (excluding packing)	400.9 g
Customs tariff number	85363030
Country of origin	DE

VAL-MS 750/30/3+0 - Type 2 surge arrester



2920269

<https://www.phoenixcontact.com/gb/products/2920269>

Technical data

Notes

General

Note	Usable in all low-voltage systems between L-N or L-PEN. Only usable in IT Systems between L-PE, if the exposed-conductive-parts (bodies) of the equipment of the low-voltage installation is connected to the earthing arrangement of the transformer substation. (interconnected earthing arrangement of the HV-transformer substation with the bodies of the LV-installation. $R_E = R_A$ accordance to IEC 60364-4-442 / VDE 0100-442 Fig. 44D / Example a)
------	---

Product properties

Product type	Surge arrester
Product family	VALVETRAB MS
IEC test classification	II T2
EN type	T2
IEC power supply system	TN-C IT
Type	DIN rail module, two-section, divisible
Distance between live and grounded parts	8 mm
Number of positions	3
Surge protection fault message	optical
Number of ports	One

Insulation characteristics

Overvoltage category	III
Pollution degree	2

Electrical properties

Nominal frequency f_N	50 Hz (60 Hz)
-------------------------	---------------

Connection data

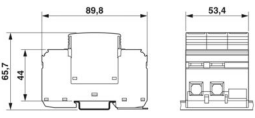
Connection method	Screw connection
Screw thread	M5
Tightening torque	3 Nm (1.5 mm ² ... 16 mm ²) 4.5 Nm (25 mm ² ... 35 mm ²)
Stripping length	16 mm
Conductor cross-section flexible	1.5 mm ² ... 25 mm ²
Conductor cross-section rigid	1.5 mm ² ... 35 mm ²
Conductor cross-section AWG	15 ... 2
Connection method	Fork-type cable lug
Conductor cross-section flexible	1.5 mm ² ... 16 mm ²

VAL-MS 750/30/3+0 - Type 2 surge arrester

2920269

<https://www.phoenixcontact.com/gb/products/2920269>

Dimensions

Dimensional drawing	
Width	53.4 mm
Height	89.8 mm
Depth	65.7 mm (incl. DIN rail 7.5 mm)
Horizontal pitch	3 Div.

Material specifications

Color	black (RAL 9005)
Flammability rating according to UL 94	V-0
CTI value of material	600
Insulating material	PA 6.6/PBT
Material group	I
Housing material	PA 6.6 PBT

Protective circuit

Mode of protection	L-PE L-PEN
Direction of action	3L-PEN 3L-PE
Nominal voltage U_N	554/960 V AC (TN-C) 690 V AC (IT)
Nominal frequency f_N	50 Hz (60 Hz)
Maximum continuous operating voltage U_C	760 V AC
Rated load current I_L	80 A
Protective conductor current I_{PE}	≤ 1.5 mA
Standby power consumption P_C	≤ 1200 mVA
Nominal discharge current I_n (8/20) μ s	15 kA
Maximum discharge current I_{max} (8/20) μ s	30 kA
Short-circuit current rating I_{SCCR}	25 kA
Voltage protection level U_p	≤ 2.9 kV
Residual voltage U_{res}	≤ 2.9 kV (at I_n) ≤ 2.7 kV (at 10 kA) ≤ 2.5 kV (at 5 kA) ≤ 2.3 kV (at 3 kA)
TOV behavior at U_T	1000 V AC (5 s / withstand mode) 1056 V AC (120 min / safe failure mode)
Response time t_A	≤ 25 ns
Max. backup fuse with V-type through wiring	80 A (gG)

VAL-MS 750/30/3+0 - Type 2 surge arrester



2920269

<https://www.phoenixcontact.com/gb/products/2920269>

Max. backup fuse with branch wiring	100 A (gG)
-------------------------------------	------------

Environmental and real-life conditions

Ambient conditions

Degree of protection	IP20 (only when all terminal points are used)
Ambient temperature (operation)	-40 °C ... 80 °C
Ambient temperature (storage/transport)	-40 °C ... 80 °C
Altitude	≤ 2000 m (amsl)
Permissible humidity (operation)	5 % ... 95 %
Shock (operation)	25g (Half-sine / 11 ms / 3x ±X, ±Y, ±Z)
Vibration (operation)	5g (10 ... 500 Hz / 2.5 h / X, Y, Z)

Approvals

UL specifications

Maximum continuous operating voltage MCOV (L-L)	1500 V AC
Maximum continuous operating voltage MCOV (L-G)	750 V AC
Nominal discharge current I_n (L-L)	10 kA
Nominal discharge current I_n (L-G)	10 kA
Mode of protection	L-L L-G
Nominal voltage	690 V AC
Power distribution system	Delta
Nominal frequency	50/60 Hz
Measured limiting voltage MLV (L-L)	4810 V
Measured limiting voltage MLV (L-G)	2560 V
SPD Type	4CA

UL connection data

Tightening torque	30 lb _f -in.
Conductor cross-section AWG	14 ... 2

Standards and regulations

Standards/specifications	IEC 61643-11
Note	2011
Standards/specifications	EN 61643-11
Note	2012

Mounting

Mounting type	DIN rail: 35 mm
---------------	-----------------

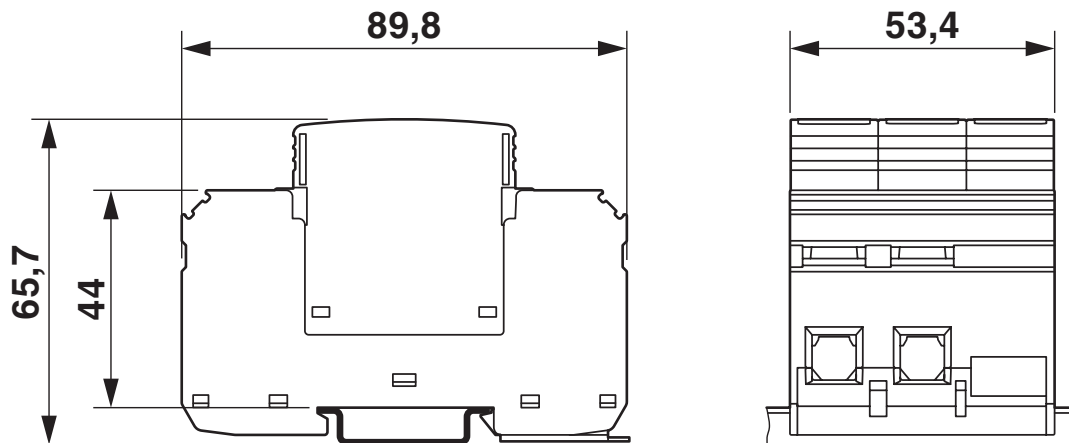
VAL-MS 750/30/3+0 - Type 2 surge arrester

2920269

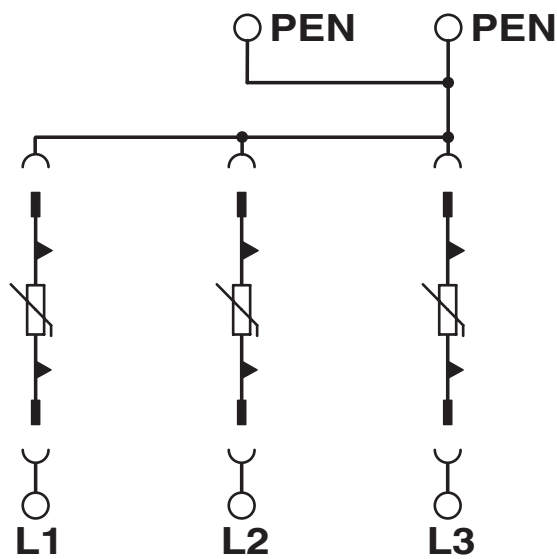
<https://www.phoenixcontact.com/gb/products/2920269>

Drawings

Dimensional drawing



Circuit diagram



VAL-MS 750/30/3+0 - Type 2 surge arrester



2920269

<https://www.phoenixcontact.com/gb/products/2920269>

Approvals

To download certificates, visit the product detail page: <https://www.phoenixcontact.com/gb/products/2920269>



cUL Recognized
Approval ID: FILE E 330181



UL Recognized
Approval ID: FILE E 330181



IECEE CB Scheme
Approval ID: AT 2905/M1

CCA

Approval ID: NTR-AT 1947-A



KEMA-KEUR
Approval ID: 71-148002



DNV GL
Approval ID: TAE000041M



CSA
Approval ID: 13631



ÖVE
Approval ID: 18583-001-17

UAE-RoHS

Approval ID: 22-09-51251



ÖVE
Approval ID: 18583-001-18

VAL-MS 750/30/3+0 - Type 2 surge arrester



2920269

<https://www.phoenixcontact.com/gb/products/2920269>

Classifications

ECLASS

ECLASS-13.0	27171202
ECLASS-15.0	27171202

ETIM

ETIM 10.0	EC000941
-----------	----------

UNSPSC

UNSPSC 21.0	39121600
-------------	----------

VAL-MS 750/30/3+0 - Type 2 surge arrester



2920269

<https://www.phoenixcontact.com/gb/products/2920269>

Environmental product compliance

EU RoHS

Fulfills EU RoHS substance requirements	Yes, No exemptions
---	--------------------

China RoHS

Environment friendly use period (EFUP)	EFUP-E
	No hazardous substances above the limits

EU REACH SVHC

REACH candidate substance (CAS No.)	No substance above 0.1 wt%
-------------------------------------	----------------------------

EF3.1 Climate Change

CO2e kg	7.198 kg CO2e
---------	---------------

Phoenix Contact 2026 © - all rights reserved
<https://www.phoenixcontact.com>

PHOENIX CONTACT Ltd
Halesfield 13, Telford
Shropshire, TF7 4PG
01952 681700
info@phoenixcontact.co.uk