

# VAL-MS 750/30-ST - Type 2 surge protection plug



2920256

<https://www.phoenixcontact.com/gb/products/2920256>

Please be informed that the data shown in this PDF document is generated from our online catalog. Please find the complete data in the user documentation. Our general terms of use for downloads are valid.



Type 2 surge protection plug with a varistor for VAL-MS base element, thermal monitoring, visual fault warning. Design: 750 V AC

## Your advantages

- Quality proven millions of times over in the widest range of applications
- Rapid installation with bridges, thanks to industry-standard overall width of 1 HP
- Easy testing and insulation measurement, thanks to pluggable protection modules
- Can be used in high-performance industrial networks and wind turbine generators (stator) due to the high nominal voltage

## Commercial data

Item number	2920256
Packing unit	10 pc
Minimum order quantity	10 pc
Note	Made to order (non-returnable)
Sales key	CL1321
Product key	CL1321
GTIN	4046356157308
Weight per piece (including packing)	64.67 g
Weight per piece (excluding packing)	62 g
Customs tariff number	85363030
Country of origin	DE

# VAL-MS 750/30-ST - Type 2 surge protection plug

2920256

<https://www.phoenixcontact.com/gb/products/2920256>

## Technical data

### Notes

#### General

Note	For use in all low-voltage systems between L-PEN. Only for use in IT systems between L-PE if the bodies of the equipment in the low-voltage system are connected to the grounding system of the transformer station. (common grounding of the HV transformer station and the bodies of the LV consumer's installation. $R_E = R_A$ according to IEC 60364-4-442/VDE 0100-442 Figure 44D/example a)
------	-------------------------------------------------------------------------------------------------------------------------------------------------------------------------------------------------------------------------------------------------------------------------------------------------------------------------------------------------------------------------------------------------------

### Product properties

Product type	Replacement plug
Product family	VALVETRAB MS
IEC test classification	II T2
EN type	T2
IEC power supply system	TN IT
Type	Male
Distance between live and grounded parts	8 mm
Number of positions	1
Surge protection fault message	optical

#### Insulation characteristics

Overvoltage category	III
Pollution degree	2

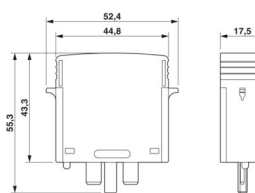
### Electrical properties

Nominal frequency $f_N$	50 Hz (60 Hz)
-------------------------	---------------

### Connection data

Connection method	pluggable
-------------------	-----------

### Dimensions

Dimensional drawing	
Width	17.5 mm
Height	52.4 mm
Depth	55.3 mm

# VAL-MS 750/30-ST - Type 2 surge protection plug



2920256

<https://www.phoenixcontact.com/gb/products/2920256>

Horizontal pitch	1 Div.
------------------	--------

## Material specifications

Color	black (RAL 9005)
Flammability rating according to UL 94	V-0
CTI value of material	600
Insulating material	PA 6.6
Material group	I
Housing material	PA 6.6

## Protective circuit

Mode of protection	L-PE
	L-PEN
Direction of action	1L-N/PE
Nominal voltage $U_N$	554/960 V AC (TN)
	690 V AC (IT)
Nominal frequency $f_N$	50 Hz (60 Hz)
Maximum continuous operating voltage $U_C$	760 V AC
Protective conductor current $I_{PE}$	$\leq 0.5$ mA
Standby power consumption $P_C$	$\leq 400$ mVA
Nominal discharge current $I_n$ (8/20) $\mu$ s	15 kA
Maximum discharge current $I_{max}$ (8/20) $\mu$ s	30 kA
Short-circuit current rating $I_{SCCR}$	25 kA
Voltage protection level $U_p$	$\leq 2.9$ kV
Residual voltage $U_{res}$	$\leq 2.9$ kV (at $I_n$ )
	$\leq 2.7$ kV (at 10 kA)
	$\leq 2.5$ kV (at 5 kA)
	$\leq 2.3$ kV (at 3 kA)
TOV behavior at $U_T$	1000 V AC (5 s / withstand mode)
	1056 V AC (120 min / safe failure mode)
Response time $t_A$	$\leq 25$ ns
Max. backup fuse with branch wiring	100 A (gG)

## Environmental and real-life conditions

### Ambient conditions

Degree of protection	IP20
Ambient temperature (operation)	-40 °C ... 80 °C
Ambient temperature (storage/transport)	-40 °C ... 80 °C
Altitude	$\leq 2000$ m (amsl)
Permissible humidity (operation)	5 % ... 95 %
Shock (operation)	25g (Half-sine / 11 ms / 3x $\pm$ X, $\pm$ Y, $\pm$ Z)
Vibration (operation)	5g (10 ... 500 Hz / 2.5 h / X, Y, Z)

## Approvals

# VAL-MS 750/30-ST - Type 2 surge protection plug



2920256

<https://www.phoenixcontact.com/gb/products/2920256>

## UL specifications

Maximum continuous operating voltage MCOV (L-N)	750 V AC
Nominal discharge current $I_n$ (L-N)	10 kA
Mode of protection	L-N
Nominal voltage	690 V AC
Power distribution system	Single phase
Nominal frequency	50/60 Hz
Measured limiting voltage MLV (L-N)	2700 V
SPD Type	4CA

## Standards and regulations

Standards/specifications	IEC 61643-11
Note	2011
Standards/specifications	EN 61643-11
Note	2012

## Mounting

Mounting type	on base element
---------------	-----------------

# VAL-MS 750/30-ST - Type 2 surge protection plug

2920256

<https://www.phoenixcontact.com/gb/products/2920256>



## Drawings

Dimensional drawing



Circuit diagram



# VAL-MS 750/30-ST - Type 2 surge protection plug



2920256

<https://www.phoenixcontact.com/gb/products/2920256>

## Approvals

To download certificates, visit the product detail page: <https://www.phoenixcontact.com/gb/products/2920256>



**cUL Recognized**  
Approval ID: FILE E 330181



**UL Recognized**  
Approval ID: FILE E 330181



**IECEE CB Scheme**  
Approval ID: AT 2905/M1

**CCA**

Approval ID: NTR-AT 1947-A



**KEMA-KEUR**  
Approval ID: 71-148002



**DNV GL**  
Approval ID: TAE000041M



**CSA**  
Approval ID: 13631



**ÖVE**  
Approval ID: 18583-001-17

**UAE-RoHS**

Approval ID: 22-09-51251



**ÖVE**  
Approval ID: 18583-001-18

# VAL-MS 750/30-ST - Type 2 surge protection plug



2920256

<https://www.phoenixcontact.com/gb/products/2920256>

## Classifications

### ECLASS

ECLASS-13.0	27171292
ECLASS-15.0	27171292

### ETIM

ETIM 10.0	EC002496
-----------	----------

### UNSPSC

UNSPSC 21.0	39121600
-------------	----------

# VAL-MS 750/30-ST - Type 2 surge protection plug



2920256

<https://www.phoenixcontact.com/gb/products/2920256>

## Environmental product compliance

### EU RoHS

Fulfills EU RoHS substance requirements	Yes, No exemptions
-----------------------------------------	--------------------

### China RoHS

Environment friendly use period (EFUP)	EFUP-E
	No hazardous substances above the limits

### EU REACH SVHC

REACH candidate substance (CAS No.)	No substance above 0.1 wt%
-------------------------------------	----------------------------

### EF3.1 Climate Change

CO2e kg	2.239 kg CO2e
---------	---------------

Phoenix Contact 2026 © - all rights reserved  
<https://www.phoenixcontact.com>

PHOENIX CONTACT Ltd  
Halesfield 13, Telford  
Shropshire, TF7 4PG  
01952 681700  
[info@phoenixcontact.co.uk](mailto:info@phoenixcontact.co.uk)