

VAL-MS-EE-T1/T2-335-P - Type 1/2 surge protection plug



2910556

<https://www.phoenixcontact.com/gb/products/2910556>

Please be informed that the data shown in this PDF document is generated from our online catalog. Please find the complete data in the user documentation. Our general terms of use for downloads are valid.

L-N replacement plug for VAL-MS-T1/T2 335/12.5 plug-in lighting/surge arrester.



Commercial data

Item number	2910556
Packing unit	10 pc
Minimum order quantity	10 pc
Note	Made to order (non-returnable)
Sales key	CLP121
Product key	CLP121
GTIN	4055626462332
Weight per piece (including packing)	111.67 g
Weight per piece (excluding packing)	111.67 g
Customs tariff number	85363030
Country of origin	DE

VAL-MS-EE-T1/T2-335-P - Type 1/2 surge protection plug

2910556

<https://www.phoenixcontact.com/gb/products/2910556>

Technical data

Product properties

Product type	Replacement plug
IEC test classification	I / II
	T1 / T2
EN type	T1 / T2
IEC power supply system	TN-C
	TN-S
	TT
Type	DIN rail module, two-section, divisible
Surge protection fault message	optical

Insulation characteristics

Overvoltage category	III
Pollution degree	2

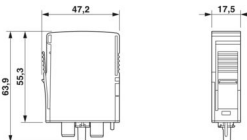
Electrical properties

Nominal frequency f_N	50 Hz (60 Hz)
-------------------------	---------------

Connection data

Connection method	pluggable
-------------------	-----------

Dimensions

Dimensional drawing	
Width	17.7 mm
Height	47 mm
Depth	67.3 mm
Horizontal pitch	1 Div.

Material specifications

Color	traffic gray B (RAL 7043)
Flammability rating according to UL 94	V-0
CTI value of material	600
Insulating material	PA 6.6/PBT
Material group	I
Housing material	PA 6.6
	PBT

Protective circuit

VAL-MS-EE-T1/T2-335-P - Type 1/2 surge protection plug



2910556

<https://www.phoenixcontact.com/gb/products/2910556>

Mode of protection	L-N
	L-PEN
Direction of action	L-N / L-PEN
Nominal voltage U_N	240/415 V AC (TN-C, TN-S)
	240/415 V AC (TT)
Nominal frequency f_N	50 Hz (60 Hz)
Maximum continuous operating voltage U_C	335 V AC
Protective conductor current I_{PE}	$\leq 800 \mu\text{A}$
Standby power consumption P_C	$\leq 270 \text{ mVA}$
Nominal discharge current I_n (8/20) μs	12.5 kA
Maximum discharge current I_{max} (8/20) μs	50 kA
Impulse discharge current (10/350) μs , charge	6.25 As
Impulse discharge current (10/350) μs , specific energy	39 kJ/ Ω
Impulse discharge current (10/350) μs , peak value I_{imp}	12.5 kA
Short-circuit current rating I_{SCCR}	25 kA
Voltage protection level U_p	$\leq 1.2 \text{ kV}$
	$\leq 1.6 \text{ kV}$ (30 kA - 8/20 μs)
Residual voltage U_{res}	$\leq 1.2 \text{ kV}$ (at I_n)
	$\leq 1.1 \text{ kV}$ (at 10 kA)
	$\leq 1 \text{ kV}$ (at 5 kA)
	$\leq 0.9 \text{ kV}$ (at 3 kA)
TOV behavior at U_T	415 V AC (5 s / withstand mode)
	457 V AC (120 min / safe failure mode)
Response time t_A	$\leq 25 \text{ ns}$
Max. backup fuse with branch wiring	160 A (gG)

Environmental and real-life conditions

Ambient conditions

Degree of protection	IP20
Ambient temperature (operation)	-40 °C ... 80 °C
Ambient temperature (storage/transport)	-40 °C ... 80 °C
Altitude	$\leq 2000 \text{ m}$ (amsl)
Permissible humidity (operation)	5 % ... 95 %
Shock (operation)	30g (Half-sine / 11 ms / 3x $\pm X$, $\pm Y$, $\pm Z$)
Vibration (operation)	7.5g (10 ... 500 Hz / 2.5 h / X, Y, Z)

Standards and regulations

Standards/specifications	IEC 61643-11
Note	2011
Standards/specifications	EN 61643-11
Note	2012

Mounting

Mounting type	on base element
---------------	-----------------

VAL-MS-EE-T1/T2-335-P - Type 1/2 surge protection plug

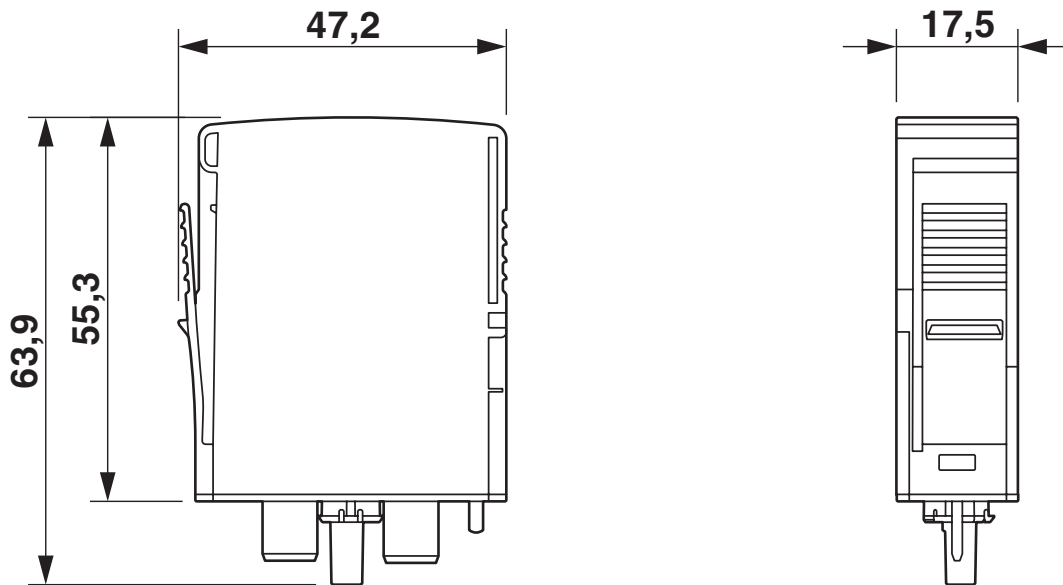


2910556

<https://www.phoenixcontact.com/gb/products/2910556>

Drawings

Dimensional drawing



Circuit diagram



VAL-MS-EE-T1/T2-335-P - Type 1/2 surge protection plug



2910556

<https://www.phoenixcontact.com/gb/products/2910556>

Approvals

📄 To download certificates, visit the product detail page: <https://www.phoenixcontact.com/gb/products/2910556>

UAE-RoHS

Approval ID: 23-10-88705

VAL-MS-EE-T1/T2-335-P - Type 1/2 surge protection plug



2910556

<https://www.phoenixcontact.com/gb/products/2910556>

Classifications

ECLASS

ECLASS-13.0	27171292
ECLASS-15.0	27171292

ETIM

ETIM 10.0	EC002496
-----------	----------

UNSPSC

UNSPSC 21.0	39121600
-------------	----------

VAL-MS-EE-T1/T2-335-P - Type 1/2 surge protection plug



2910556

<https://www.phoenixcontact.com/gb/products/2910556>

Environmental product compliance

EU RoHS

Fulfills EU RoHS substance requirements	Yes, No exemptions
---	--------------------

China RoHS

Environment friendly use period (EFUP)	EFUP-E
	No hazardous substances above the limits

EU REACH SVHC

REACH candidate substance (CAS No.)	No substance above 0.1 wt%
-------------------------------------	----------------------------

EF3.1 Climate Change

CO2e kg	1.313 kg CO2e
---------	---------------

Phoenix Contact 2026 © - all rights reserved
<https://www.phoenixcontact.com>

PHOENIX CONTACT Ltd
Halesfield 13, Telford
Shropshire, TF7 4PG
01952 681700
info@phoenixcontact.co.uk