

VAL-MS-T1/T2 48/12.5/1+1/1U/FM - Lightning/surge arrester type 1/2



2909629

<https://www.phoenixcontact.com/gb/products/2909629>

Please be informed that the data shown in this PDF document is generated from our online catalog. Please find the complete data in the user documentation. Our general terms of use for downloads are valid.

Universal varistor-based plug-in lightning/surge arrester for 48 V DC applications with grounded return conductor (positive pole), without risk assessment for Lightning Protection Levels III and IV, with remote indication contact.



Your advantages

- Dual-channel, panel mountable surge protective device
- Orthogonal mounting orientation to plug
- Base element with floating remote indication contact
- Rack-mount 1U panel applications

Commercial data

Item number	2909629
Packing unit	6 pc
Minimum order quantity	6 pc
Note	Made to order (non-returnable)
Sales key	CL1151
Product key	CL1151
GTIN	4055626370545
Weight per piece (including packing)	242.22 g
Weight per piece (excluding packing)	314.763 g
Customs tariff number	85363010
Country of origin	US

VAL-MS-T1/T2 48/12.5/1+1/1U/FM - Lightning/surge arrester type 1/2



2909629

<https://www.phoenixcontact.com/gb/products/2909629>

Technical data

Product properties

Product type	Arrester combination
Product family	VALVETRAB MS
IEC test classification	I / II
	T1 / T2
	I
EN type	T1 / T2
IEC power supply system	TN-S
Type	DIN rail module, two-section, divisible
Surge protection fault message	Optical, remote indicator contact
Number of ports	One

Insulation characteristics

Pollution degree	2
------------------	---

Electrical properties

Nominal frequency f_N	50 Hz (60 Hz)
-------------------------	---------------

Indicator/remote signaling

Connection name	Remote fault indicator contact
Switching function	Changeover contact
Operating voltage	5 V AC ... 250 V AC
	125 V AC (UL)
	125 V DC (200 mA DC)
Operating current	5 mA AC ... 1.5 A
	1 A (UL)
	1 A (30 V DC)

Connection data

Connection method	Screw connection
Screw thread	M5
Tightening torque	2.5 Nm ... 3 Nm
	22 lb _F -in. ... 26.5 lb _F -in. (UL)
Stripping length	16 mm
Conductor cross-section flexible min.	1.5 mm ²
Conductor cross-section flexible max.	25 mm ²
Conductor cross-section, rigid min.	1.5 mm ²
Conductor cross-section, rigid max.	35 mm ²
Conductor cross-section AWG	15 ... 2
	10 ... 2 (UL)

VAL-MS-T1/T2 48/12.5/1+1/1U/FM - Lightning/surge arrester type 1/2

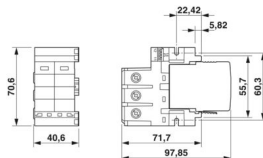
2909629

<https://www.phoenixcontact.com/gb/products/2909629>

Remote fault indicator contact

Connection method	Push-in spring connection
Stripping length	6 mm
Conductor cross-section flexible min.	0.2 mm ²
Conductor cross-section flexible max.	0.5 mm ²
Conductor cross-section, rigid min.	0.14 mm ²
Conductor cross-section, rigid max.	0.5 mm ²
Conductor cross-section AWG	24 ... 20 (UL)

Dimensions

Dimensional drawing	
Width	70.6 mm
Height	40.6 mm
Rack unit	1 U
Depth	98.1 mm

Material specifications

Color	gray (RAL 7042)
	gray (RAL 7042)
Flammability rating according to UL 94	V-0
Housing material	PA 6.6
	PBT

Mechanical properties

Mechanical data

Open side panel	No
-----------------	----

Protective circuit

Mode of protection	L-N
	N-PE
Direction of action	L-N & L(N)-PE
Nominal voltage U_N	60 V AC ± 10 % (TN-S)
	-48 V DC ± 10 % (RRH)
Nominal frequency f_N	50 Hz (60 Hz)
Maximum continuous operating voltage U_C	75 V AC
	100 V DC
Rated load current I_L	80 A

VAL-MS-T1/T2 48/12.5/1+1/1U/FM - Lightning/surge arrester type 1/2



2909629

<https://www.phoenixcontact.com/gb/products/2909629>

Protective conductor current I_{PE}	≤ 0.6 mA
Standby power consumption P_C	≤ 45 mVA
Nominal discharge current I_n (8/20) μ s	12.5 kA
Maximum discharge current I_{max} (8/20) μ s	30 kA
Impulse discharge current (10/350) μ s, charge	6.25 As
Impulse discharge current (10/350) μ s, specific energy	39 kJ/ Ω
Impulse discharge current (10/350) μ s, peak value I_{imp}	12.5 kA
Total discharge current I_{Total} (8/20) μ s	50 kA
Short-circuit current rating I_{SCCR}	25 kA
Voltage protection level U_p	≤ 0.4 kV
Residual voltage U_{res}	≤ 0.4 kV (at I_n)
	≤ 0.35 kV (at 10 kA)
	≤ 0.3 kV (at 5 kA)
	≤ 0.275 kV (at 4 kA)
	≤ 0.25 kV (at 3 kA)
TOV behavior at U_T	100 V AC (5 s / withstand mode)
	130 V DC (5 s / withstand mode)
Response time t_A	≤ 25 ns
Max. backup fuse with V-type through wiring	80 A AC (gG - 16 mm ²)
Max. backup fuse with branch wiring	160 A AC (gG)

Additional technical data

Maximum discharge current I_{max} (8/20) μ s	65 kA
--	-------

Environmental and real-life conditions

Ambient conditions

Degree of protection	IP20 (only when all terminal points are used)
Ambient temperature (operation)	-40 °C ... 80 °C
Ambient temperature (storage/transport)	-40 °C ... 80 °C
Altitude	≤ 2000 m (amsl)
Permissible humidity (operation)	5 % ... 95 %
Shock (operation)	30g (Half-sine / 11 ms / 3x \pm X, \pm Y, \pm Z)
Vibration (operation)	7.5g (10 ... 500 Hz / 2.5 h / X, Y, Z)

Approvals

UL specifications

Maximum continuous operating voltage MCOV (L-N)	75 V AC
	100 V DC
Mode of protection	N-G
	L-N
	(L+) - (L-)
	(L+) - G

VAL-MS-T1/T2 48/12.5/1+1/1U/FM - Lightning/surge arrester type 1/2



2909629

<https://www.phoenixcontact.com/gb/products/2909629>

	(L-) - G
Nominal voltage	60 V DC
SPD Type	1CA

UL indicator/remote signaling

Operating voltage	125 V AC
AC operating current	1 A AC

UL connection data

Tightening torque	30 lb _f -in.
Conductor cross-section AWG	10 ... 2

Mounting

Mounting type	Panel mount
---------------	-------------

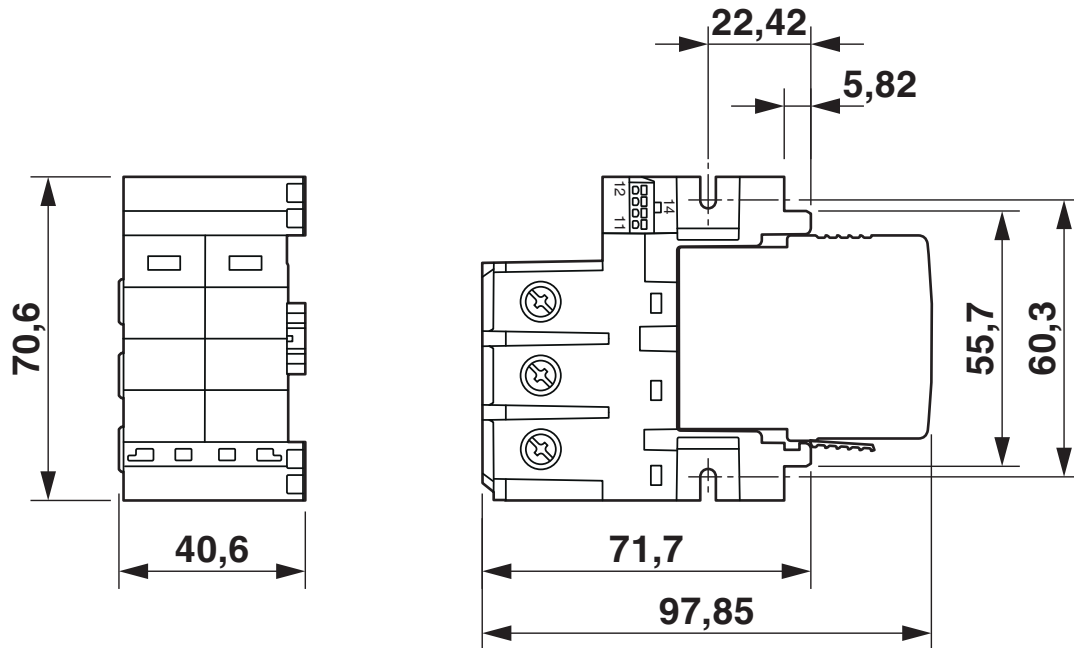
VAL-MS-T1/T2 48/12.5/1+1/1U/FM - Lightning/surge arrester type 1/2

2909629

<https://www.phoenixcontact.com/gb/products/2909629>

Drawings

Dimensional drawing



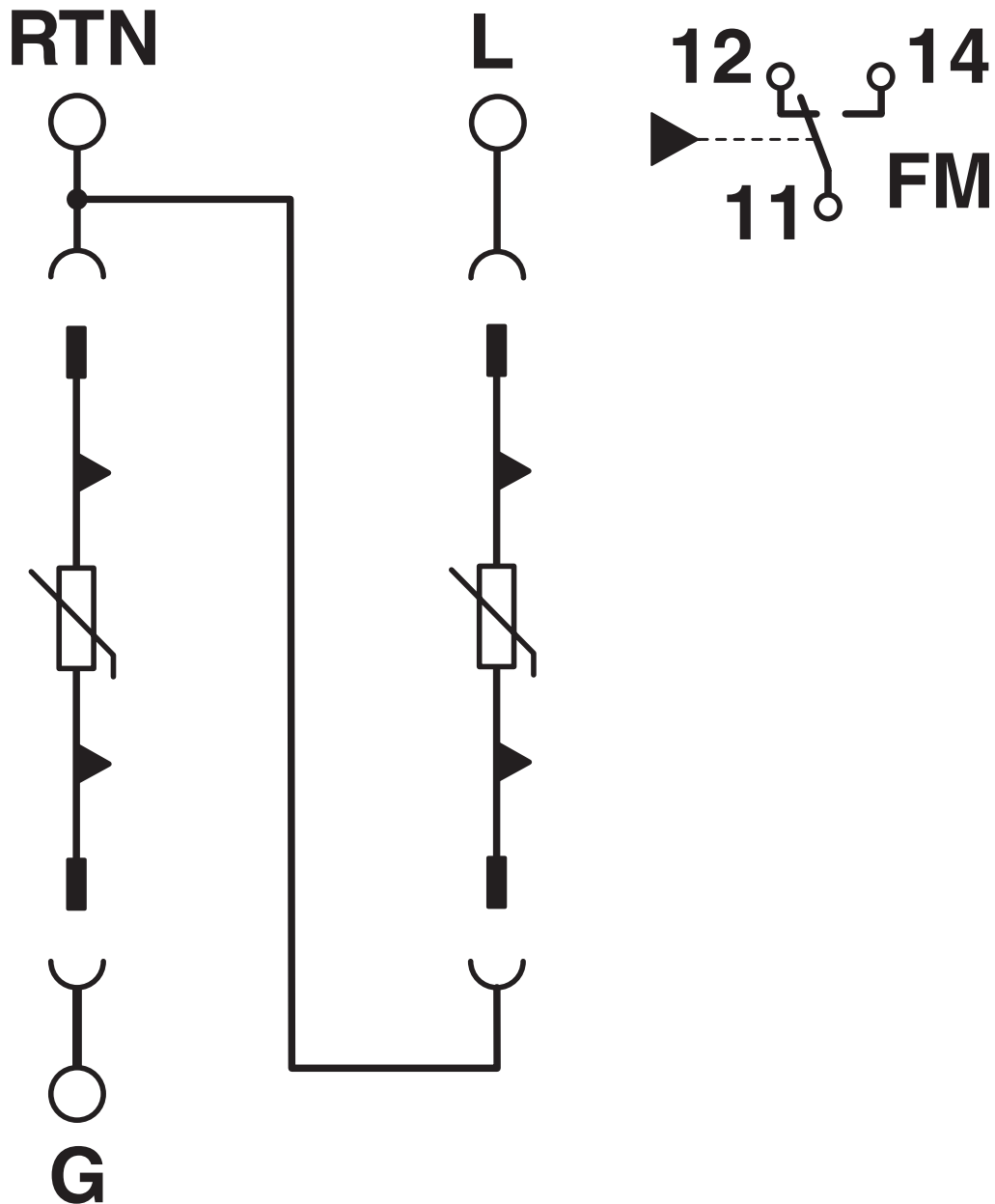
VAL-MS-T1/T2 48/12.5/1+1/1U/FM - Lightning/surge arrester type 1/2



2909629

<https://www.phoenixcontact.com/gb/products/2909629>

Circuit diagram

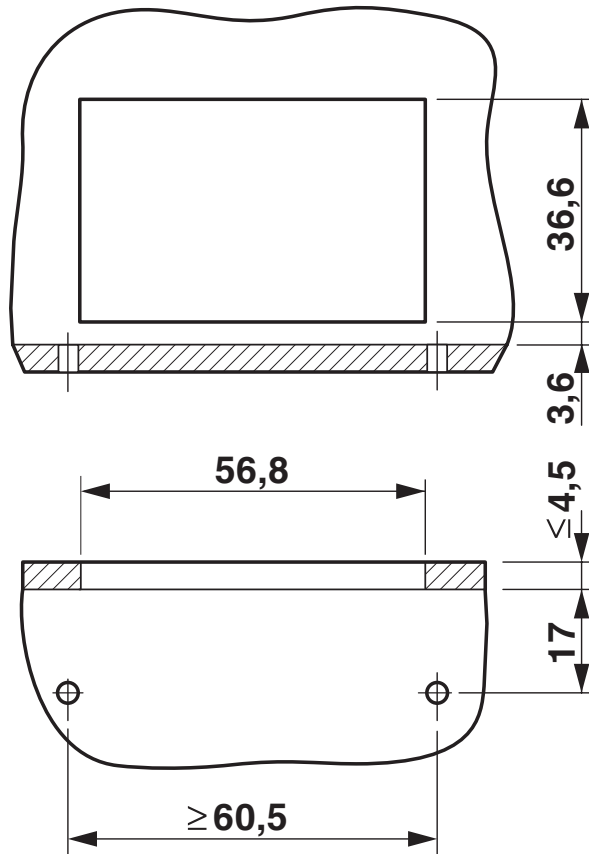


VAL-MS-T1/T2 48/12.5/1+1/1U/FM - Lightning/surge arrester type 1/2

2909629

<https://www.phoenixcontact.com/gb/products/2909629>

Drilling plan/solder pad geometry



VAL-MS-T1/T2 48/12.5/1+1/1U/FM - Lightning/surge arrester type 1/2



2909629

<https://www.phoenixcontact.com/gb/products/2909629>

Classifications

ECLASS

ECLASS-13.0	27171202
ECLASS-15.0	27171202

ETIM

ETIM 10.0	EC000941
-----------	----------

UNSPSC

UNSPSC 21.0	39121600
-------------	----------

VAL-MS-T1/T2 48/12.5/1+1/1U/FM - Lightning/surge arrester type 1/2



2909629

<https://www.phoenixcontact.com/gb/products/2909629>

Environmental product compliance

China RoHS

Environment friendly use period (EFUP)	EFUP-50
	An article-related China RoHS declaration table can be found in the download area for the respective article under "Manufacturer declaration". For all articles with EFUP-E, no China RoHS declaration table issued and required.

EU REACH SVHC

REACH candidate substance (CAS No.)	No substance above 0.1 wt%
-------------------------------------	----------------------------

Phoenix Contact 2026 © - all rights reserved
<https://www.phoenixcontact.com>

PHOENIX CONTACT Ltd
Halesfield 13, Telford
Shropshire, TF7 4PG
01952 681700
info@phoenixcontact.co.uk