

VAL-SEC-T2-2+0-380DC-FM - Type 2 surge arrester



2907876

<https://www.phoenixcontact.com/gb/products/2907876>

Please be informed that the data shown in this PDF document is generated from our online catalog. Please find the complete data in the user documentation. Our general terms of use for downloads are valid.



Pluggable surge protective device, in accordance with Type 2/Class II, for DC power sources with linear operating characteristics, with remote indication contact.

Your advantages

- Surge protection family for universal use with optimum energy coordination from the lightning current arrester to the device protection
- Easy to maintain due to consistently pluggable protection modules
- Excellent level of information provided by mechanical/visual status indicator and remote indication contact
- More space in the control cabinet due to the narrow overall width of just 12 mm per position
- Extremely narrow design, just 12 mm per position
- Varistor arrester with a low leakage current

Commercial data

Item number	2907876
Packing unit	1 pc
Minimum order quantity	1 pc
Note	Made to order (non-returnable)
Sales key	CL1353
Product key	CL1353
GTIN	4055626245010
Weight per piece (including packing)	226.6 g
Weight per piece (excluding packing)	226.6 g
Customs tariff number	85363090
Country of origin	DE

VAL-SEC-T2-2+0-380DC-FM - Type 2 surge arrester



2907876

<https://www.phoenixcontact.com/gb/products/2907876>

Technical data

Product properties

Product type	Surge arrester
Product family	SEC Family
IEC test classification	II T2
EN type	T2
IEC power supply system	DC
Type	DIN rail module, two-section, divisible
Number of positions	2
Surge protection fault message	Optical, remote indicator contact
Number of ports	One

Insulation characteristics

Overvoltage category	III
Pollution degree	2

Electrical properties

Nominal voltage U_N	350 V DC ... 400 V DC
-----------------------	-----------------------

Indicator/remote signaling

Connection name	Remote fault indicator contact
Switching function	Changeover contact
Operating voltage	5 V AC ... 250 V AC (Altitude \leq 2000 m (amsl)) 5 V AC ... 150 V AC (Altitude $>$ 2000 m (amsl)) 125 V DC (200 mA DC)
Operating current	5 mA AC ... 1 A AC 1 A DC (30 V DC)

Connection data

Connection method	Screw connection
Screw thread	M5
Tightening torque	4.5 Nm
Stripping length	16 mm
Conductor cross-section flexible	2.5 mm ² ... 16 mm ²
Conductor cross-section rigid	2.5 mm ² ... 25 mm ²
Conductor cross-section AWG	12 ... 4
Connection method	Fork-type cable lug
Conductor cross-section flexible	1.5 mm ² ... 6 mm ²

Remote fault indicator contact

Connection method	Plug-in/screw connection via COMBICON
Screw thread	M2
Tightening torque	0.25 Nm

VAL-SEC-T2-2+0-380DC-FM - Type 2 surge arrester



2907876

<https://www.phoenixcontact.com/gb/products/2907876>

Stripping length	7 mm
Conductor cross-section flexible	0.14 mm ² ... 1.5 mm ²
Conductor cross-section rigid	0.14 mm ² ... 1.5 mm ²
Conductor cross-section AWG	28 ... 16

Dimensions

Dimensional drawing	
Width	25.4 mm
Height	97.9 mm
Depth	74.5 mm (incl. DIN rail 7.5 mm)
Horizontal pitch	1.4 Div.

Material specifications

Color (Male connector)	light gray (RAL 7035)
Color (Base element)	gray (RAL 7042)
Flammability rating according to UL 94	V-0
CTI value of material	600
Insulating material	PA6.6-FR 20% GF PBT-FR
Material group	I
Housing material	PA 6.6-FR 20 % GF PBT-FR

Protective circuit

Mode of protection	(DC+) - (DC-) (DC+/DC-) - PE
Direction of action	(DC+/DC-) - PE
Nominal voltage U_N	350 V DC ... 400 V DC
Maximum continuous operating voltage U_C	450 V DC
Rated load current I_L	40 A (Biconnect M4 fork-type cable lug 6 mm ²) 63 A (TWIN ferrule 2 x 10 mm ²)
Protective conductor current I_{PE}	≤ 350 μA DC
Nominal discharge current I_n (8/20) μs	20 kA
Maximum discharge current I_{max} (8/20) μs	40 kA
Impulse discharge current (10/350) μs, charge	0.5 As
Impulse discharge current (10/350) μs, specific energy	0.25 kJ/Ω
Impulse discharge current (10/350) μs, peak value I_{imp}	1 kA
Total discharge current I_{Total} (8/20) μs	40 kA
Short-circuit current rating I_{SCCR}	0.1 kA (without backup fuse) 6 kA (for 20 A gG/B backup fuse)

VAL-SEC-T2-2+0-380DC-FM - Type 2 surge arrester



2907876

<https://www.phoenixcontact.com/gb/products/2907876>

Voltage protection level U_p (DC+) - (DC-)	≤ 3 kV
Voltage protection level U_p (DC+/DC-) - PE	≤ 1.5 kV
TOV behavior at U_T	551 V DC (5 s / withstand mode)
Response time t_A	≤ 25 ns
Max. backup fuse with V-type through wiring	20 A (gG / B at $I_{SCCR} > 200$ A)
	10 A (gG/B at $I_{SCCR} > 100$ A)
Max. backup fuse with branch wiring	20 A (gG / B at $I_{SCCR} > 200$ A)
	10 A (gG/B at $I_{SCCR} > 100$ A)

Environmental and real-life conditions

Ambient conditions

Degree of protection	IP20
Ambient temperature (operation)	-40 °C ... 80 °C
Ambient temperature (storage/transport)	-40 °C ... 80 °C
Altitude	≤ 6000 m (amsl)
Permissible humidity (operation)	5 % ... 95 %
Shock (operation)	30g (Half-sine / 11 ms / 3x $\pm X$, $\pm Y$, $\pm Z$)
Vibration (operation)	5g (10 ... 500 Hz / 2.5 h / X, Y, Z)

Approvals

UL specifications

Nominal discharge current I_n	20 kA
Mode of protection	(DC+) - (DC-)
	(DC+) - G
	(DC-) - G
Nominal voltage	400 V DC
Power distribution system	DC
SPD Type	4CA

UL indicator/remote signaling

Operating voltage	125 V AC
AC operating current	1 A AC

UL connection data

Tightening torque	30 lb _F -in.
Conductor cross-section AWG	10 ... 2

Standards and regulations

Standards/specifications	IEC 61643-11
Note	2011

EN 61643-11

Standards/specifications	EN 61643-11
Note	2012

VAL-SEC-T2-2+0-380DC-FM - Type 2 surge arrester



2907876

<https://www.phoenixcontact.com/gb/products/2907876>

Mounting

Mounting type	DIN rail: 35 mm
---------------	-----------------

VAL-SEC-T2-2+0-380DC-FM - Type 2 surge arrester

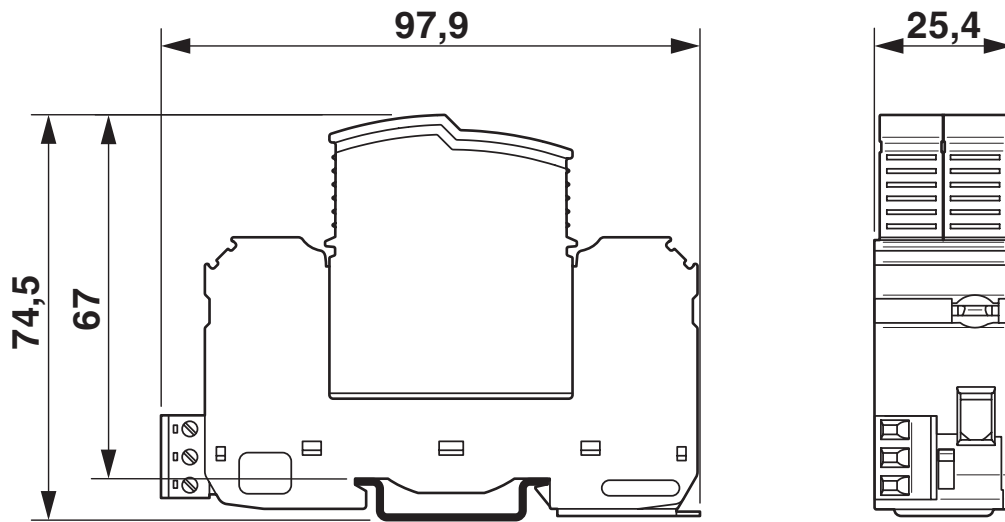
2907876

<https://www.phoenixcontact.com/gb/products/2907876>



Drawings

Dimensional drawing



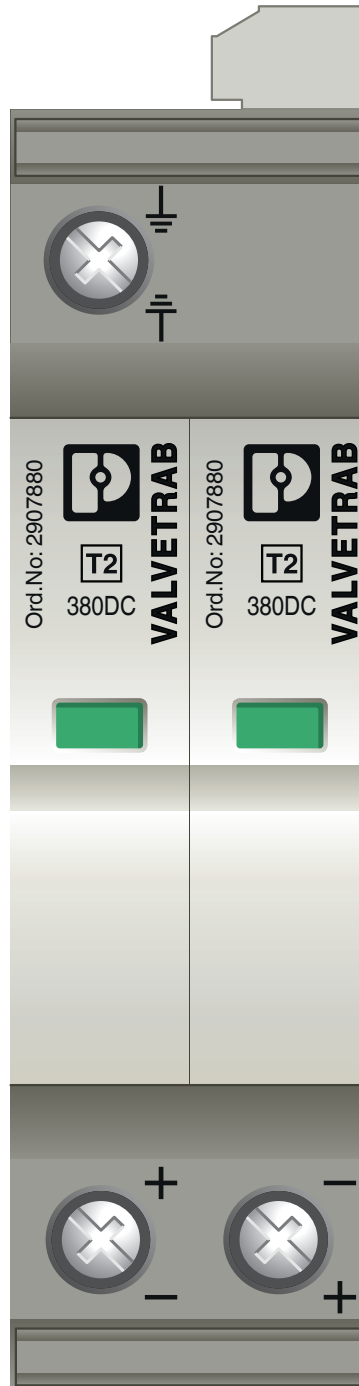
VAL-SEC-T2-2+0-380DC-FM - Type 2 surge arrester

2907876

<https://www.phoenixcontact.com/gb/products/2907876>



Product drawing



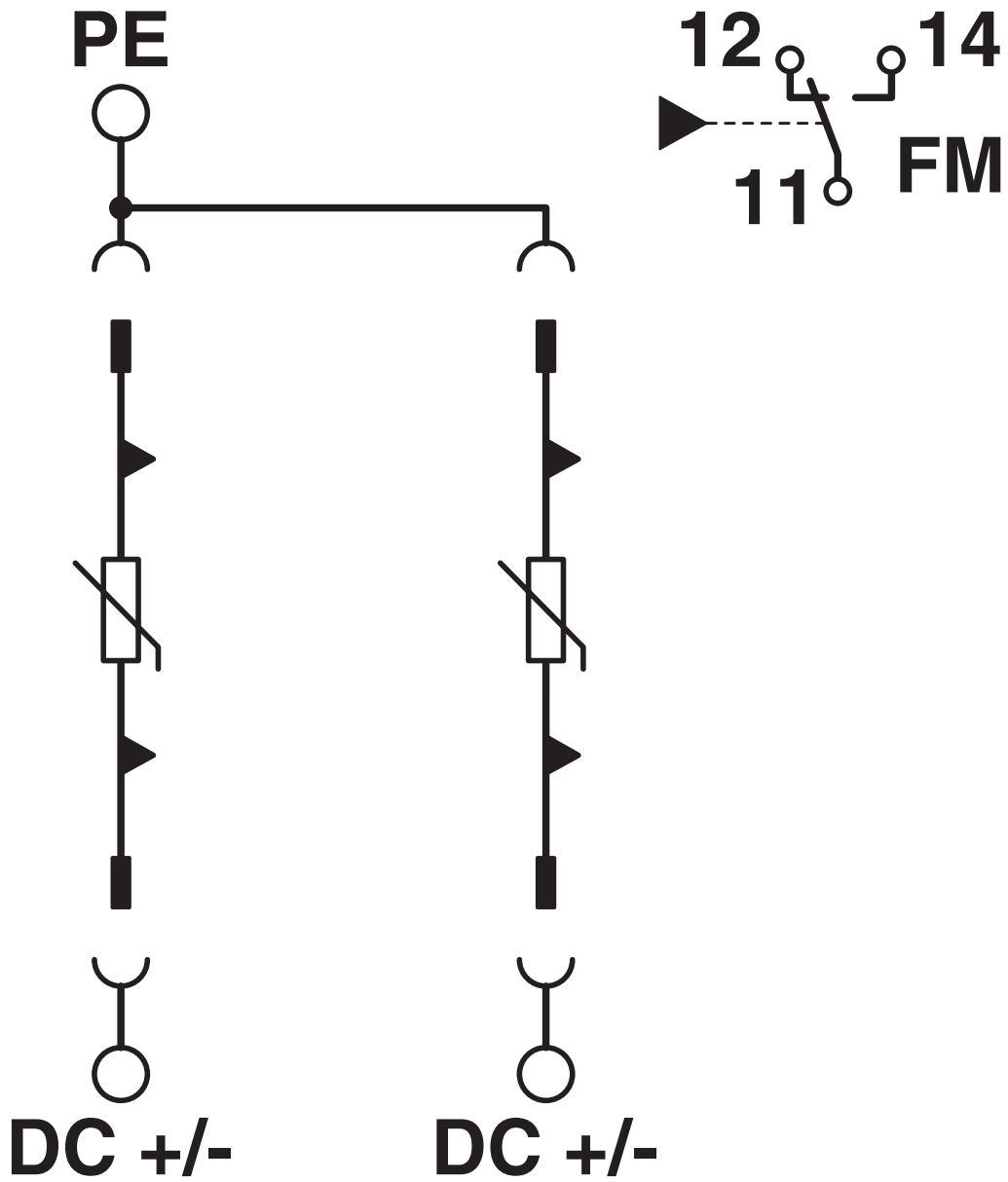
VAL-SEC-T2-2+0-380DC-FM - Type 2 surge arrester



2907876

<https://www.phoenixcontact.com/gb/products/2907876>

Circuit diagram



2907876

<https://www.phoenixcontact.com/gb/products/2907876>

Approvals

To download certificates, visit the product detail page: <https://www.phoenixcontact.com/gb/products/2907876>



cUL Recognized

Approval ID: FILE E 330181



UL Recognized

Approval ID: FILE E 330181



DNV GL

Approval ID: TAE000023D

UAE-RoHS

Approval ID: 23-10-88707

VAL-SEC-T2-2+0-380DC-FM - Type 2 surge arrester



2907876

<https://www.phoenixcontact.com/gb/products/2907876>

Classifications

ECLASS

ECLASS-13.0	27171302
ECLASS-15.0	27171302

ETIM

ETIM 10.0	EC000941
-----------	----------

UNSPSC

UNSPSC 21.0	39121600
-------------	----------

VAL-SEC-T2-2+0-380DC-FM - Type 2 surge arrester



2907876

<https://www.phoenixcontact.com/gb/products/2907876>

Environmental product compliance

EU RoHS

Fulfills EU RoHS substance requirements	Yes, No exemptions
---	--------------------

China RoHS

Environment friendly use period (EFUP)	EFUP-E
	No hazardous substances above the limits

EU REACH SVHC

REACH candidate substance (CAS No.)	No substance above 0.1 wt%
-------------------------------------	----------------------------

Phoenix Contact 2026 © - all rights reserved
<https://www.phoenixcontact.com>

PHOENIX CONTACT Ltd
Halesfield 13, Telford
Shropshire, TF7 4PG
01952 681700
info@phoenixcontact.co.uk