

# FLT-SEC-H-T1-3C-440/25-FM - Type 1+2 combined lightning current and surge arrester



2907260

<https://www.phoenixcontact.com/gb/products/2907260>

Please be informed that the data shown in this PDF document is generated from our online catalog. Please find the complete data in the user documentation. Our general terms of use for downloads are valid.

Plug-in lightning current arrester, in accordance with Type 1/Class I, with integrated surge-proof fuse, for 3-phase power supply networks with combined PE and N installed in one conductor (L1, L2, L3, PEN).



## Your advantages

- Surge protection family for universal use with optimum energy coordination from the lightning current arrester to the device protection
- Easy to maintain due to consistently pluggable protection modules
- Excellent level of information provided by mechanical/visual status indicator and remote indication contact
- Optimum protective effect in the event of high-energy lightning currents, thanks to spark gap technology with low residual voltage characteristic
- Integrated lightning-current-proof backup fuse for a low overall voltage protection level and space savings of up to 80% compared to an external backup fuse

## Commercial data

|                                      |                                |
|--------------------------------------|--------------------------------|
| Item number                          | 2907260                        |
| Packing unit                         | 1 pc                           |
| Minimum order quantity               | 1 pc                           |
| Note                                 | Made to order (non-returnable) |
| Sales key                            | CL1163                         |
| Product key                          | CL1163                         |
| GTIN                                 | 4055626176437                  |
| Weight per piece (including packing) | 1,767 g                        |
| Weight per piece (excluding packing) | 1,755 g                        |
| Customs tariff number                | 85363030                       |
| Country of origin                    | TR                             |

# FLT-SEC-H-T1-3C-440/25-FM - Type 1+2 combined lightning current and surge arrester



2907260

<https://www.phoenixcontact.com/gb/products/2907260>

## Technical data

### Product properties

|                                |   |
|--------------------------------|---|
| Product type                   | Combination type                        |
| Product family                 | SEC Family                              |
| IEC test classification        | I / II<br>T1 / T2                       |
| EN type                        | T1 / T2                                 |
| IEC power supply system        | TN-C<br>IT                              |
| Type                           | DIN rail module, two-section, divisible |
| Number of positions            | 3                                       |
| Surge protection fault message | Optical, remote indicator contact       |
| Number of ports                | One                                     |

### Insulation characteristics

|                      |     |
|----------------------|-----|
| Overvoltage category | III |
| Pollution degree     | 2   |

### Electrical properties

|                         |               |
|-------------------------|---------------|
| Nominal frequency $f_N$ | 50 Hz (60 Hz) |
|-------------------------|---------------|

### Indicator/remote signaling

|                    |  |
|--------------------|--|
| Connection name    | Remote fault indicator contact               |
| Switching function | Changeover contact                           |
| Operating voltage  | 12 V AC ... 250 V AC<br>125 V DC (200 mA DC) |
| Operating current  | 10 mA AC ... 1 A AC<br>1 A DC (30 V DC)      |

### Connection data

|                                  |  |
|----------------------------------|--|
| Connection method                | Screw connection                           |
| Screw thread                     | M5   |
| Tightening torque                | 4.5 Nm                                     |
| Stripping length                 | 18 mm                                      |
| Conductor cross-section flexible | 2.5 mm <sup>2</sup> ... 35 mm <sup>2</sup> |
| Conductor cross-section rigid    | 2.5 mm <sup>2</sup> ... 35 mm <sup>2</sup> |
| Conductor cross-section AWG      | 13 ... 2                                   |
| Connection method                | Fork-type cable lug                        |
| Conductor cross-section flexible | 1.5 mm <sup>2</sup> ... 16 mm <sup>2</sup> |

### Remote fault indicator contact

|                   |                                       |
|-------------------|---------------------------------------|
| Connection method | Plug-in/screw connection via COMBICON |
|-------------------|---------------------------------------|

# FLT-SEC-H-T1-3C-440/25-FM - Type 1+2 combined lightning current and surge arrester



2907260

<https://www.phoenixcontact.com/gb/products/2907260>

|                                  |  |
|----------------------------------|--|
| Screw thread                     | M2   |
| Tightening torque                | 0.25 Nm                                      |
| Stripping length                 | 7 mm   |
| Conductor cross-section flexible | 0.14 mm <sup>2</sup> ... 1.5 mm <sup>2</sup> |
| Conductor cross-section rigid    | 0.14 mm <sup>2</sup> ... 1.5 mm <sup>2</sup> |
| Conductor cross-section AWG      | 28 ... 16                                    |

## Dimensions

|                     |          |
|---------------------|----------|
| Dimensional drawing |          |
| Width               | 106.8 mm |
| Height              | 167 mm   |
| Depth               | 74.5 mm  |
| Horizontal pitch    | 6 Div.   |

## Material specifications

|  |                             |
|--|-----------------------------|
| Color (Male connector)                 | light gray (RAL 7035)       |
| Color (Base element)                   | gray (RAL 7042)             |
| Flammability rating according to UL 94 | V-0                         |
| CTI value of material                  | 600                         |
| Insulating material                    | PA 6.6-FR 20% GF<br>PBT-FR  |
| Material group                         | I                           |
| Housing material                       | PA 6.6-FR 20 % GF<br>PBT-FR |

## Mechanical properties

### Mechanical data

|                 |    |
|-----------------|----|
| Open side panel | No |
|-----------------|----|

## Protective circuit

|  |                                      |
|--|--------------------------------------|
| Mode of protection                             | L-PEN<br>L-PE                        |
| Direction of action                            | 3L-N/PE                              |
| Nominal voltage $U_N$                          | 400/690 V AC (TN-C)<br>400 V AC (IT) |
| Nominal frequency $f_N$                        | 50 Hz (60 Hz)                        |
| Maximum continuous operating voltage $U_C$     | 440 V AC                             |
| Protective conductor current $I_{PE}$          | $\leq 5 \mu A$                       |
| Nominal discharge current $I_n$ (8/20) $\mu s$ | 25 kA                                |

# FLT-SEC-H-T1-3C-440/25-FM - Type 1+2 combined lightning current and surge arrester



2907260

<https://www.phoenixcontact.com/gb/products/2907260>

|  |  |
|--|--|
| Maximum discharge current $I_{\max}$ (8/20) $\mu\text{s}$                      | 50 kA                                  |
| Impulse discharge current (10/350) $\mu\text{s}$ , charge                      | 12.5 As                                |
| Impulse discharge current (10/350) $\mu\text{s}$ , specific energy             | 160 kJ/ $\Omega$                       |
| Impulse discharge current (10/350) $\mu\text{s}$ , peak value $I_{\text{imp}}$ | 25 kA                                  |
| Follow current interrupt rating $I_{\text{fi}}$                                | 50 kA                                  |
| Short-circuit current rating $I_{\text{SCCR}}$                                 | 50 kA                                  |
| Voltage protection level $U_{\text{p}}$  | $\leq 2.5$ kV                          |
| Residual voltage $U_{\text{res}}$  | $\leq 2.1$ kV (at $I_{\text{n}}$ )     |
|  | $\leq 2.8$ kV (at 50 kA)               |
|  | $\leq 1.7$ kV (at 12.5 kA)             |
|  | $\leq 1.5$ kV (at 5 kA)                |
|  | $\leq 1.35$ kV (at 2.5 kA)             |
| Front-of-wave sparkover voltage at 6 kV (1.2/50) $\mu\text{s}$                 | $\leq 2.5$ kV                          |
| TOV behavior at $U_{\text{T}}$   | 580 V AC (5 s / withstand mode)        |
|  | 760 V AC (120 min / withstand mode)    |
|  | 1640 V AC (200 ms / safe failure mode) |
| Response time $t_{\text{A}}$   | $\leq 100$ ns                          |

## Environmental and real-life conditions

### Ambient conditions

|   |   |
|---|---|
| Degree of protection                    | IP20 (only when all terminal points are used) |
| Ambient temperature (operation)         | -40 °C ... 80 °C                              |
| Ambient temperature (storage/transport) | -40 °C ... 80 °C                              |
| Altitude                                | $\leq 2000$ m (amsl)                          |
| Permissible humidity (operation)        | 5 % ... 95 %                                  |

## Standards and regulations

|                          |              |
|--------------------------|--------------|
| Standards/specifications | IEC 61643-11 |
| Note                     | 2011         |

### EN 61643-11

|                          |             |
|--------------------------|-------------|
| Standards/specifications | EN 61643-11 |
| Note                     | 2012        |

## Mounting

|               |                 |
|---------------|-----------------|
| Mounting type | DIN rail: 35 mm |
|---------------|-----------------|

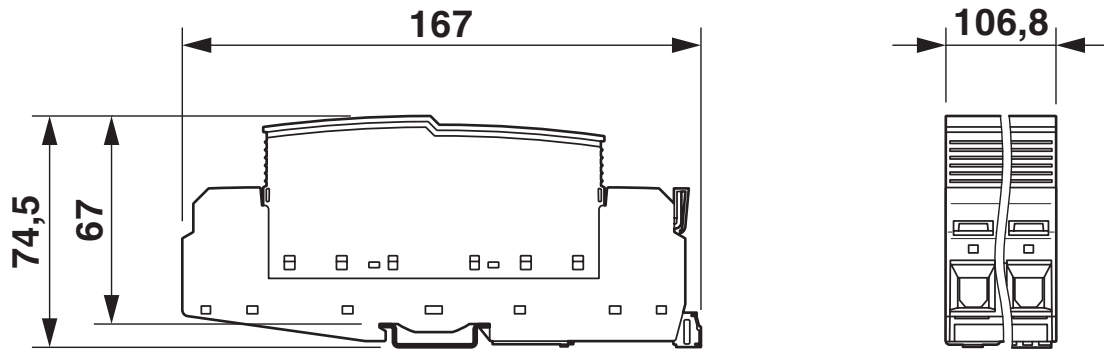
# FLT-SEC-H-T1-3C-440/25-FM - Type 1+2 combined lightning current and surge arrester

2907260

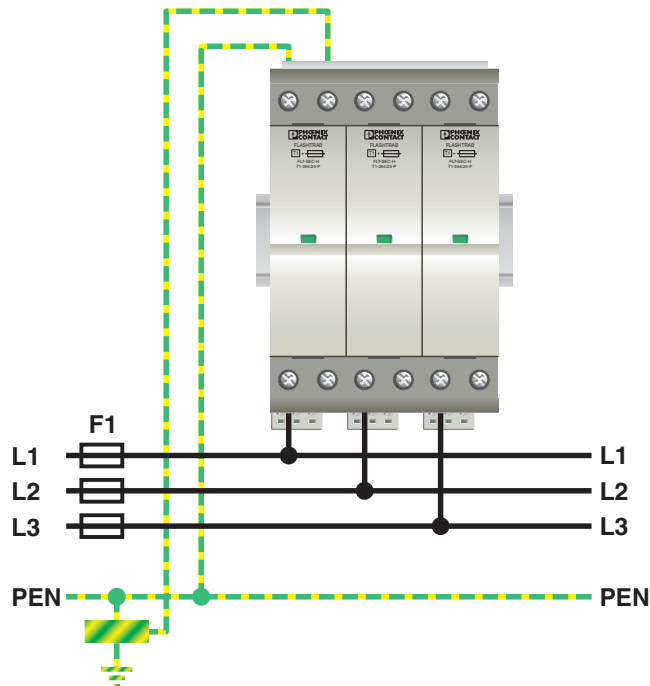
<https://www.phoenixcontact.com/gb/products/2907260>

## Drawings

Dimensional drawing



Application drawing

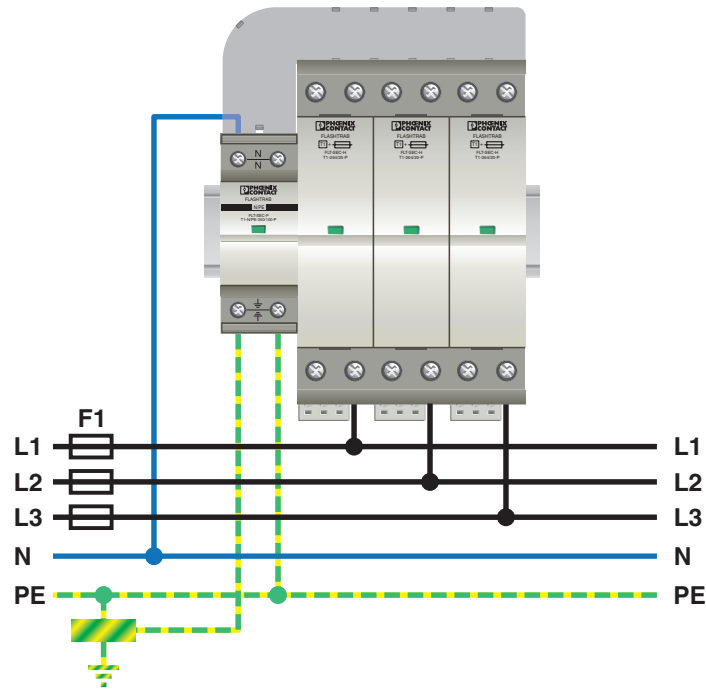


# FLT-SEC-H-T1-3C-440/25-FM - Type 1+2 combined lightning current and surge arrester

2907260

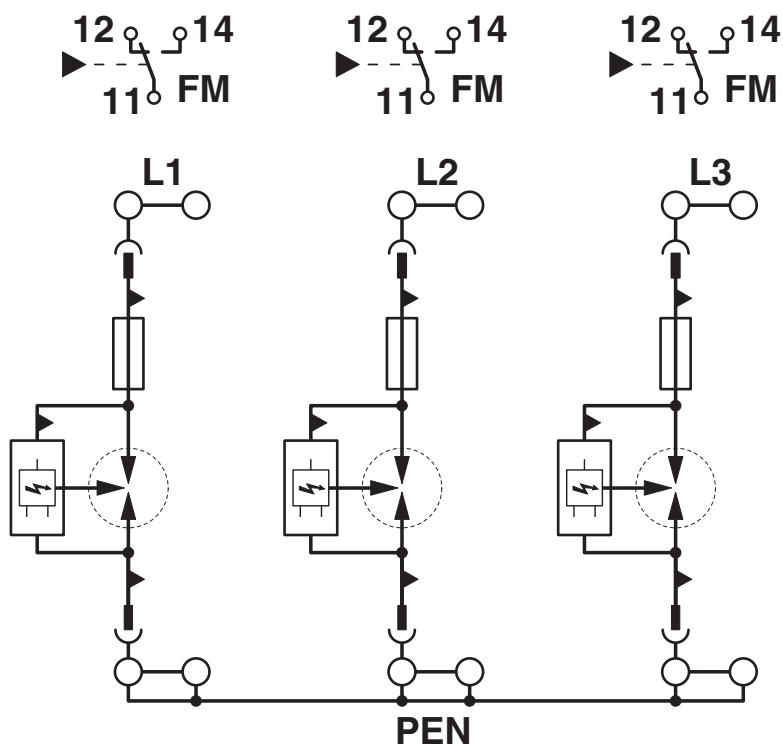
<https://www.phoenixcontact.com/gb/products/2907260>

Application drawing



Structure of a 3+1 circuit for TN-S/TT systems with an N/PE spark gap and wiring bridge.

Circuit diagram



# FLT-SEC-H-T1-3C-440/25-FM - Type 1+2 combined lightning current and surge arrester



2907260

<https://www.phoenixcontact.com/gb/products/2907260>

## Approvals

To download certificates, visit the product detail page: <https://www.phoenixcontact.com/gb/products/2907260>



**IECEE CB Scheme**

Approval ID: NL-41433

**CCA**

Approval ID: NTR-NL 7490



**KEMA-KEUR**

Approval ID: 2188437.01

# FLT-SEC-H-T1-3C-440/25-FM - Type 1+2 combined lightning current and surge arrester



2907260

<https://www.phoenixcontact.com/gb/products/2907260>

## Classifications

### ECLASS

|             |          |
|-------------|----------|
| ECLASS-13.0 | 27171201 |
| ECLASS-15.0 | 27171201 |

### ETIM

|           |          |
|-----------|----------|
| ETIM 10.0 | EC000381 |
|-----------|----------|

### UNSPSC

|             |          |
|-------------|----------|
| UNSPSC 21.0 | 39121600 |
|-------------|----------|

# FLT-SEC-H-T1-3C-440/25-FM - Type 1+2 combined lightning current and surge arrester



2907260

<https://www.phoenixcontact.com/gb/products/2907260>

## Environmental product compliance

### EU RoHS

|   |      |
|---|------|
| Fulfills EU RoHS substance requirements | Yes  |
| Exemption                               | 6(c) |

### China RoHS

|  |  |
|--|--|
| Environment friendly use period (EFUP) | EFUP-E                                   |
|  | No hazardous substances above the limits |

### EU REACH SVHC

|                                     |                                      |
|-------------------------------------|--------------------------------------|
| REACH candidate substance (CAS No.) | N,N-dimethylacetamide(CAS: 127-19-5) |
|                                     | Lead(CAS: 7439-92-1)                 |
| SCIP                                | f926deff-9d51-4c74-8d1d-599be016c1b4 |

Phoenix Contact 2026 © - all rights reserved  
<https://www.phoenixcontact.com>

PHOENIX CONTACT Ltd  
Halesfield 13, Telford  
Shropshire, TF7 4PG  
01952 681700  
[info@phoenixcontact.co.uk](mailto:info@phoenixcontact.co.uk)