

# FLT-SEC-P-T1-3C-440/35-FM - Type 1+2 combined lightning current and surge arrester



2905988

<https://www.phoenixcontact.com/gb/products/2905988>

Please be informed that the data shown in this PDF document is generated from our online catalog. Please find the complete data in the user documentation. Our general terms of use for downloads are valid.



Plug-in lightning arrester free of leakage current for higher nominal voltages, according to Type 1/Class I, for 3-phase power supply networks in TN and IT versions (L1, L2, L3, PE).

## Your advantages

- Surge protection family for universal use with optimum energy coordination from the lightning current arrester to the device protection
- Easy to maintain due to consistently pluggable protection modules
- Excellent level of information provided by mechanical/visual status indicator and remote indication contact
- Optimum protective effect in the event of high-energy lightning currents, thanks to spark gap technology with low residual voltage characteristic
- Maximum performance in a minimum amount of space: compact design with high discharge capacity at high nominal voltage

## Commercial data

Item number	2905988
Packing unit	1 pc
Minimum order quantity	1 pc
Note	Made to order (non-returnable)
Sales key	CL1172
Product key	CL1172
GTIN	4055626013275
Weight per piece (including packing)	1,194 g
Weight per piece (excluding packing)	1,084 g
Customs tariff number	85363030
Country of origin	TR

# FLT-SEC-P-T1-3C-440/35-FM - Type 1+2 combined lightning current and surge arrester



2905988

<https://www.phoenixcontact.com/gb/products/2905988>

## Technical data

### Product properties

Product type	Combination type
Product family	SEC Family
IEC test classification	I / II T1 / T2
EN type	T1 / T2
IEC power supply system	TN-C IT
Type	DIN rail module, two-section, divisible
Number of positions	3
Surge protection fault message	Optical, remote indicator contact
Number of ports	One

### Insulation characteristics

Overvoltage category	III
Pollution degree	2

### Electrical properties

Nominal frequency $f_N$	50 Hz (60 Hz)
-------------------------	---------------

### Indicator/remote signaling

Connection name	Remote fault indicator contact
Switching function	Changeover contact
Operating voltage	12 V AC ... 250 V AC 125 V DC (200 mA DC)
Operating current	10 mA AC ... 1 A AC 1 A DC (30 V DC)

### Connection data

Connection method	Screw connection
Screw thread	M5
Tightening torque	4.5 Nm
Stripping length	18 mm
Conductor cross-section flexible	2.5 mm <sup>2</sup> ... 35 mm <sup>2</sup>
Conductor cross-section rigid	2.5 mm <sup>2</sup> ... 35 mm <sup>2</sup>
Conductor cross-section AWG	13 ... 2
Connection method	Fork-type cable lug
Conductor cross-section flexible	1.5 mm <sup>2</sup> ... 16 mm <sup>2</sup>

### Remote fault indicator contact

Connection method	Plug-in/screw connection via COMBICON
-------------------	---------------------------------------

# FLT-SEC-P-T1-3C-440/35-FM - Type 1+2 combined lightning current and surge arrester



2905988

<https://www.phoenixcontact.com/gb/products/2905988>

Screw thread	M2
Tightening torque	0.25 Nm
Stripping length	7 mm
Conductor cross-section flexible	0.14 mm <sup>2</sup> ... 1.5 mm <sup>2</sup>
Conductor cross-section rigid	0.14 mm <sup>2</sup> ... 1.5 mm <sup>2</sup>
Conductor cross-section AWG	28 ... 16

## Dimensions

Dimensional drawing	
Width	106.8 mm
Height	95.2 mm
Depth	74.5 mm
Horizontal pitch	6 Div.

## Material specifications

Color (Male connector)	light gray (RAL 7035)
Color (Base element)	gray (RAL 7042)
Flammability rating according to UL 94	V-0
CTI value of material	600
Insulating material	PA6.6-FR 20% GF PBT-FR
Material group	I
Housing material	PA 6.6-FR 20 % GF PBT-FR

## Mechanical properties

### Mechanical data

Open side panel	No
-----------------	----

## Protective circuit

Mode of protection	L-PE L-PEN
Direction of action	3L-N/PE
Nominal voltage $U_N$	400/690 V AC (TN-C) 400 V AC (IT)
Nominal frequency $f_N$	50 Hz (60 Hz)
Maximum continuous operating voltage $U_C$	440 V AC
Rated load current $I_L$	125 A (< 55 °C)

# FLT-SEC-P-T1-3C-440/35-FM - Type 1+2 combined lightning current and surge arrester



2905988

<https://www.phoenixcontact.com/gb/products/2905988>

Protective conductor current $I_{PE}$	< 5 $\mu$ A
Nominal discharge current $I_n$ (8/20) $\mu$ s	35 kA
Maximum discharge current $I_{max}$ (8/20) $\mu$ s	50 kA
Impulse discharge current (10/350) $\mu$ s, charge	17.5 As
Impulse discharge current (10/350) $\mu$ s, specific energy	310 kJ/ $\Omega$
Impulse discharge current (10/350) $\mu$ s, peak value $I_{imp}$	35 kA
Follow current interrupt rating $I_{fi}$	50 kA
Short-circuit current rating $I_{SCCR}$	50 kA
Voltage protection level $U_p$	$\leq$ 2.5 kV
Residual voltage $U_{res}$	$\leq$ 2.5 kV (at $I_n$ )
	$\leq$ 2.7 kV (at $I_{max}$ )
	$\leq$ 2 kV (at 17.5 kA)
	$\leq$ 1.7 kV (at 7 kA)
	$\leq$ 1.5 kV (at 3.5 kA)
TOV behavior at $U_T$	580 V AC (5 s / withstand mode)
	800 V AC (120 min / withstand mode)
	1640 V AC (200 ms / safe failure mode)
Response time $t_A$	$\leq$ 100 ns
Max. backup fuse with V-type through wiring	125 A (gG)
Max. backup fuse with branch wiring	400 A (gG)

## Environmental and real-life conditions

### Ambient conditions

Degree of protection	IP20 (only when all terminal points are used)
Ambient temperature (operation)	-40 °C ... 80 °C
Ambient temperature (storage/transport)	-40 °C ... 80 °C
Altitude	$\leq$ 2000 m (amsl)
Permissible humidity (operation)	5 % ... 95 %
Shock (operation)	30g (Half-sine / 11 ms / 3x $\pm$ X, $\pm$ Y, $\pm$ Z)
Vibration (operation)	5g (5 - 500 Hz/2.5 h/X, Y, Z)

## Approvals

### UL specifications

Maximum continuous operating voltage MCOV (L-L)	880 V AC
Maximum continuous operating voltage MCOV (L-G)	440 V AC
Short-circuit current rating (SCCR)	25 kA
Voltage protection rating VPR (L-L)	3000 V
Voltage protection rating VPR (L-G)	1800 V
Nominal discharge current $I_n$	20 kA
Mode of protection	L-L
	L-G
Nominal voltage	400 V AC

# FLT-SEC-P-T1-3C-440/35-FM - Type 1+2 combined lightning current and surge arrester



2905988

<https://www.phoenixcontact.com/gb/products/2905988>

	400/690 V AC
Rated load current $I_L$	50 A
Power distribution system	Delta
	Wye
Nominal frequency	50/60 Hz
SPD Type	2CA

## UL indicator/remote signaling

Operating voltage	125 V AC
AC operating current	1 A AC

## UL connection data

Tightening torque	40 lb <sub>F</sub> -in.
Conductor cross-section AWG	3 ... 2

## Standards and regulations

Standards/specifications	IEC 61643-11
Note	2011

## EN 61643-11

Standards/specifications	EN 61643-11
Note	2012

## Mounting

Mounting type	DIN rail: 35 mm
---------------	-----------------

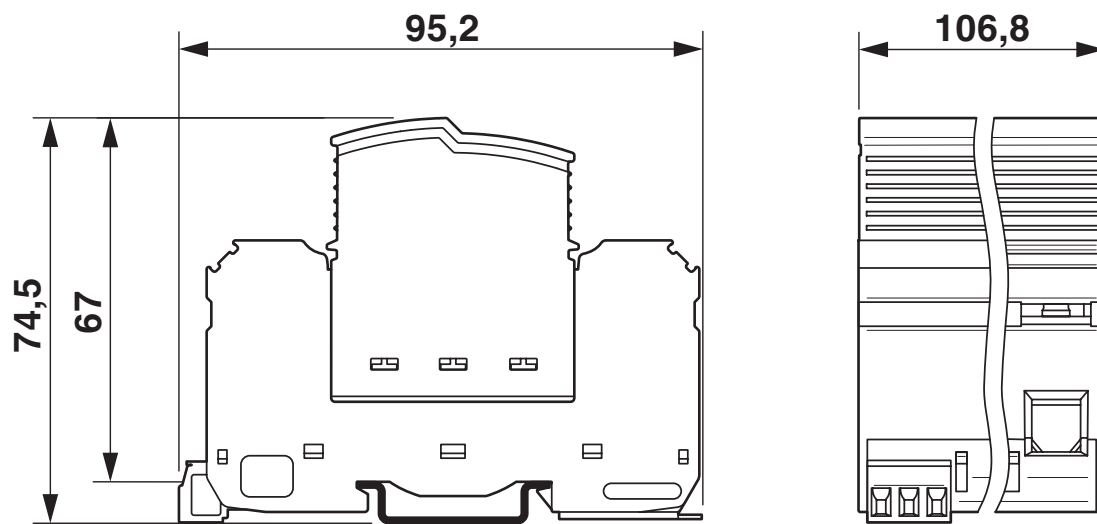
# FLT-SEC-P-T1-3C-440/35-FM - Type 1+2 combined lightning current and surge arrester

2905988

<https://www.phoenixcontact.com/gb/products/2905988>

## Drawings

Dimensional drawing



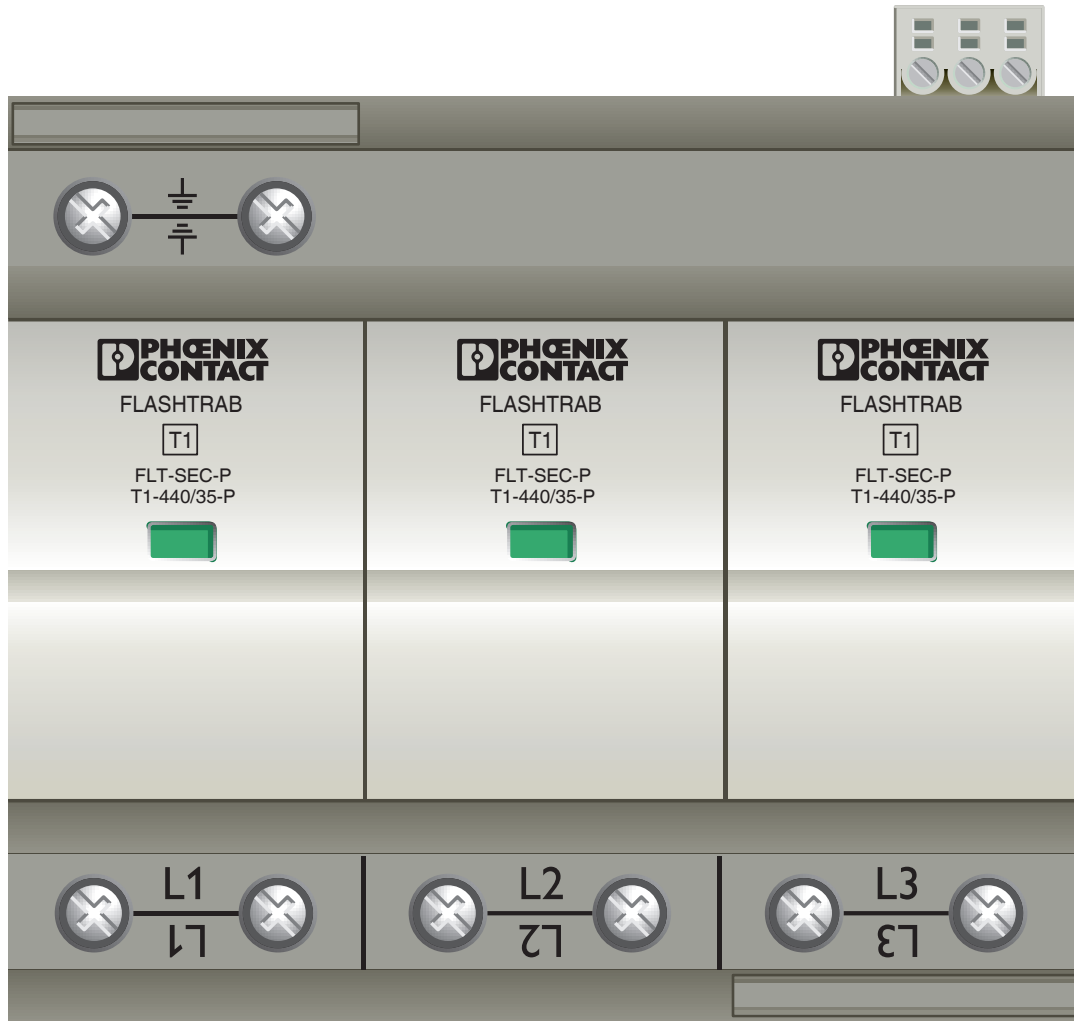
# FLT-SEC-P-T1-3C-440/35-FM - Type 1+2 combined lightning current and surge arrester



2905988

<https://www.phoenixcontact.com/gb/products/2905988>

Product drawing



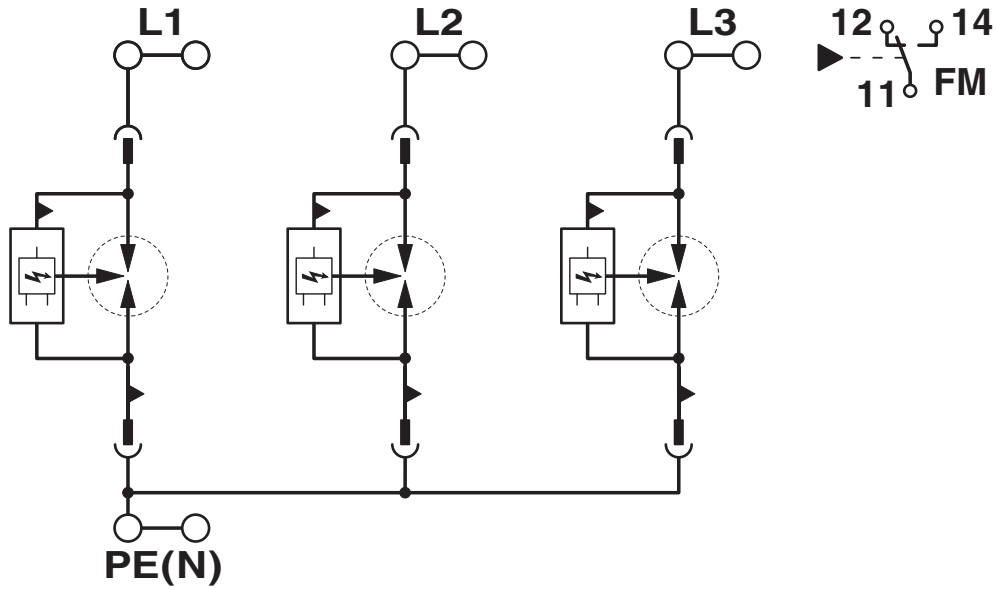
# FLT-SEC-P-T1-3C-440/35-FM - Type 1+2 combined lightning current and surge arrester



2905988

<https://www.phoenixcontact.com/gb/products/2905988>

Circuit diagram



# FLT-SEC-P-T1-3C-440/35-FM - Type 1+2 combined lightning current and surge arrester



2905988

<https://www.phoenixcontact.com/gb/products/2905988>

## Approvals

To download certificates, visit the product detail page: <https://www.phoenixcontact.com/gb/products/2905988>



**cUL Recognized**  
Approval ID: FILE E 330181



**UL Recognized**  
Approval ID: FILE E 330181



**IECEE CB Scheme**  
Approval ID: NL-40634

**CCA**

Approval ID: NTR-NL 7480



**KEMA-KEUR**  
Approval ID: 71-165054

**UAE-RoHS**

Approval ID: 23-10-88709

# FLT-SEC-P-T1-3C-440/35-FM - Type 1+2 combined lightning current and surge arrester



2905988

<https://www.phoenixcontact.com/gb/products/2905988>

## Classifications

### ECLASS

ECLASS-13.0	27171201
ECLASS-15.0	27171201

### ETIM

ETIM 10.0	EC000381
-----------	----------

### UNSPSC

UNSPSC 21.0	39121600
-------------	----------

# FLT-SEC-P-T1-3C-440/35-FM - Type 1+2 combined lightning current and surge arrester



2905988

<https://www.phoenixcontact.com/gb/products/2905988>

## Environmental product compliance

### EU RoHS

Fulfills EU RoHS substance requirements	Yes, No exemptions
---	--------------------

### China RoHS

Environment friendly use period (EFUP)	EFUP-E
	No hazardous substances above the limits

### EU REACH SVHC

REACH candidate substance (CAS No.)	N,N-dimethylacetamide(CAS: 127-19-5)
SCIP	b49584e0-967c-49f2-9261-c65a371926c2

Phoenix Contact 2026 © - all rights reserved  
<https://www.phoenixcontact.com>

PHOENIX CONTACT Ltd  
Halesfield 13, Telford  
Shropshire, TF7 4PG  
01952 681700  
[info@phoenixcontact.co.uk](mailto:info@phoenixcontact.co.uk)