

VAL-SEC-T2-N/PE-350-P - Type 2 surge protection plug



2905347

<https://www.phoenixcontact.com/gb/products/2905347>

Please be informed that the data shown in this PDF document is generated from our online catalog. Please find the complete data in the user documentation. Our general terms of use for downloads are valid.



Replacement plug for surge arresters from the VALVETRAB SEC product range for the N-PE path.

Your advantages

- Surge protection family for universal use with optimum energy coordination from the lightning current arrester to the device protection
- Easy to maintain due to consistently pluggable protection modules
- Excellent level of information provided by mechanical/visual status indicator and remote indication contact
- More space in the control cabinet due to the narrow overall width of just 12 mm per position and use without separate backup fuse up to 315 A gG

Commercial data

Item number	2905347
Packing unit	1 pc
Minimum order quantity	1 pc
Note	Made to order (non-returnable)
Sales key	CL1351
Product key	CL1351
GTIN	4046356948210
Weight per piece (including packing)	51.3 g
Weight per piece (excluding packing)	50.5 g
Customs tariff number	85363090
Country of origin	DE

VAL-SEC-T2-N/PE-350-P - Type 2 surge protection plug

2905347

<https://www.phoenixcontact.com/gb/products/2905347>

Technical data

Product properties

Product type	Replacement plug
Product family	SEC Family
IEC test classification	II T2
EN type	T2
IEC power supply system	TN TT
Type	Male
Number of positions	1
Surge protection fault message	optical

Insulation characteristics

Overvoltage category	III
Pollution degree	2

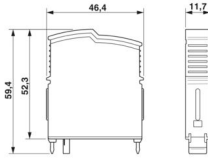
Electrical properties

Nominal frequency f_N	50 Hz (60 Hz)
-------------------------	---------------

Connection data

Connection method	pluggable
-------------------	-----------

Dimensions

Dimensional drawing	
Width	11.7 mm
Height	46.4 mm
Depth	59.4 mm
Horizontal pitch	0.6 Div.

Material specifications

Color	light gray (RAL 7035)
Flammability rating according to UL 94	V-0
CTI value of material	600
Insulating material	PA6.6-FR 20% GF PBT-FR
Material group	I
Housing material	PA 6.6-FR 20 % GF

VAL-SEC-T2-N/PE-350-P - Type 2 surge protection plug



2905347

<https://www.phoenixcontact.com/gb/products/2905347>

	PBT-FR
--	--------

Protective circuit

Mode of protection	N-PE
Direction of action	N-PE
Nominal voltage U_N	240 V AC (TN - only N-PE) 240 V AC (TT - only N-PE)
Nominal frequency f_N	50 Hz (60 Hz)
Maximum continuous operating voltage U_C	264 V AC
Protective conductor current I_{PE}	$\leq 1 \mu A$
Nominal discharge current I_n (8/20) μs	20 kA
Maximum discharge current I_{max} (8/20) μs	40 kA
Follow current interrupt rating I_{fi}	100 A (264 V AC)
Voltage protection level U_p	≤ 1.5 kV
Residual voltage U_{res}	≤ 0.5 kV (at I_n) ≤ 0.5 kV (at 10 kA) ≤ 0.5 kV (at 5 kA) ≤ 0.5 kV (at 4 kA) ≤ 0.5 kV (at 2 kA)
Front-of-wave sparkover voltage at 6 kV (1.2/50) μs	≤ 1.5 kV
TOV behavior at U_T	1200 V AC (200 ms / withstand mode)
Response time t_A	≤ 100 ns

Environmental and real-life conditions

Ambient conditions

Degree of protection	IP20
Ambient temperature (operation)	-40 °C ... 80 °C
Ambient temperature (storage/transport)	-40 °C ... 80 °C
Altitude	≤ 2000 m (amsl)
Permissible humidity (operation)	5 % ... 95 %
Shock (operation)	30g (Half-sine / 11 ms / 3x $\pm X$, $\pm Y$, $\pm Z$)
Vibration (operation)	5g (10 ... 500 Hz / 2.5 h / X, Y, Z)

Approvals

UL specifications

Maximum continuous operating voltage MCOV (N-G)	264 V AC
Nominal discharge current I_n (N-G)	20 kA
Mode of protection	N-G
Power distribution system	Single phase
Nominal frequency	50/60 Hz
Measured limiting voltage MLV (N-G)	950 V
Follow current (L-G)	200 A (264 V AC)
SPD Type	4CA

VAL-SEC-T2-N/PE-350-P - Type 2 surge protection plug



2905347

<https://www.phoenixcontact.com/gb/products/2905347>

Standards and regulations

Standards/specifications	IEC 61643-11
Note	2011

EN 61643-11

Standards/specifications	EN 61643-11
Note	2012

Mounting

Mounting type	on base element
---------------	-----------------

VAL-SEC-T2-N/PE-350-P - Type 2 surge protection plug



2905347

<https://www.phoenixcontact.com/gb/products/2905347>

Drawings

Dimensional drawing



Circuit diagram



VAL-SEC-T2-N/PE-350-P - Type 2 surge protection plug



2905347

<https://www.phoenixcontact.com/gb/products/2905347>

Approvals

To download certificates, visit the product detail page: <https://www.phoenixcontact.com/gb/products/2905347>



cUL Recognized

Approval ID: FILE E 330181



UL Recognized

Approval ID: FILE E 330181



IECEE CB Scheme

Approval ID: NL-34356

CCA

Approval ID: NTR-NL 7347



KEMA-KEUR

Approval ID: 2196453.01



DNV GL

Approval ID: TAE000023D

VAL-SEC-T2-N/PE-350-P - Type 2 surge protection plug



2905347

<https://www.phoenixcontact.com/gb/products/2905347>

Classifications

ECLASS

ECLASS-13.0	27171292
ECLASS-15.0	27171292

ETIM

ETIM 10.0	EC002496
-----------	----------

UNSPSC

UNSPSC 21.0	39121600
-------------	----------

VAL-SEC-T2-N/PE-350-P - Type 2 surge protection plug



2905347

<https://www.phoenixcontact.com/gb/products/2905347>

Environmental product compliance

EU RoHS

Fulfills EU RoHS substance requirements	Yes, No exemptions
---	--------------------

China RoHS

Environment friendly use period (EFUP)	EFUP-E
	No hazardous substances above the limits

EU REACH SVHC

REACH candidate substance (CAS No.)	No substance above 0.1 wt%
-------------------------------------	----------------------------

Phoenix Contact 2026 © - all rights reserved
<https://www.phoenixcontact.com>

PHOENIX CONTACT Ltd
Halesfield 13, Telford
Shropshire, TF7 4PG
01952 681700
info@phoenixcontact.co.uk