

# PLT-SEC-T3-24-P - Type 3 surge protection plug



2905232

<https://www.phoenixcontact.com/gb/products/2905232>

Please be informed that the data shown in this PDF document is generated from our online catalog. Please find the complete data in the user documentation. Our general terms of use for downloads are valid.



Replacement plug for type 3 device protection from the PLUGTRAB SEC T3 product range. 24 V nominal voltage.

## Commercial data

Item number	2905232
Packing unit	1 pc
Minimum order quantity	1 pc
Note	Made to order (non-returnable)
Sales key	CL14A1
Product key	CL14A1
GTIN	4046356939720
Weight per piece (including packing)	46.2 g
Weight per piece (excluding packing)	29.1 g
Customs tariff number	85363030
Country of origin	DE

# PLT-SEC-T3-24-P - Type 3 surge protection plug

2905232

<https://www.phoenixcontact.com/gb/products/2905232>

## Technical data

### Product properties

Product type	Replacement plug
Product family	SEC Family
IEC power supply system	TN-S
Type	Male
Number of positions	2
Surge protection fault message	optical

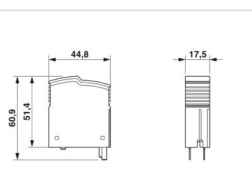
### Insulation characteristics

Overvoltage category	III
Pollution degree	2
IEC test classification	III
	T3
EN type	T3

### Connection data

Connection method	pluggable
-------------------	-----------

### Dimensions

Dimensional drawing	
Width	17.5 mm
Height	60.9 mm
Depth	44.8 mm
Horizontal pitch	1 Div.

### Material specifications

Flammability rating according to UL 94	V-0
CTI value of material	600
Insulating material	PA 6.6-FR 20% GF
	PA 6.6-FR
Material group	I
Housing material	PA 6.6-FR 20 % GF
	PA 6.6-FR

### Protective circuit

Mode of protection	L-N
	L-PE
	N-PE

# PLT-SEC-T3-24-P - Type 3 surge protection plug



2905232

<https://www.phoenixcontact.com/gb/products/2905232>

	(L+) - (L-)
	(L+/L-) - PE
Direction of action	1L-N & N-PE
Nominal voltage $U_N$	24 V AC (TN-S)
Nominal frequency $f_N$	50 Hz (60 Hz)
Maximum continuous operating voltage $U_C$	34 V AC
	34 V DC
Protective conductor current $I_{PE}$	$\leq 5 \mu A$
Standby power consumption $P_C$	$\leq 30 \text{ mVA}$ (at $U_{REF}$ )
	$\leq 50 \text{ mVA}$ (at $U_C$ )
Reference test voltage $U_{REF}$	27 V AC
Nominal discharge current $I_n$ (8/20) $\mu s$	1 kA
Combination wave $U_{OC}$	2 kV
Voltage protection level $U_p$ (L-N)	$\leq 0.25 \text{ kV}$
Voltage protection level $U_p$ (L-PE)	$\leq 0.65 \text{ kV}$
Voltage protection level $U_p$ (N-PE)	$\leq 0.65 \text{ kV}$
TOV behavior at $U_T$ (L-N)	50 V AC (5 s / withstand mode)
	50 V AC (120 min / withstand mode)
TOV behavior at $U_T$ (L-PE)	50 V AC (5 s / withstand mode)
	50 V AC (120 min / withstand mode)
Response time $t_A$ (L-N)	$\leq 25 \text{ ns}$
Response time $t_A$ (L-PE)	$\leq 100 \text{ ns}$
Response time $t_A$ (N-PE)	$\leq 100 \text{ ns}$
Short-circuit current rating $I_{SCCR}$	1.5 kA AC
	1 kA DC

## Environmental and real-life conditions

### Ambient conditions

Degree of protection	IP20
Ambient temperature (operation)	-40 °C ... 80 °C
Ambient temperature (storage/transport)	-40 °C ... 80 °C
Altitude	$\leq 2000 \text{ m}$ (amsl)
Permissible humidity (operation)	5 % ... 95 %
Shock (operation)	30g (Half-sine / 11 ms / 3x $\pm X$ , $\pm Y$ , $\pm Z$ )
Vibration (operation)	5g (10 Hz ... 150 Hz / 20 cycles/axis / X, Y, Z)

## Approvals

### UL specifications

Maximum continuous operating voltage MCOV	34 V AC
	34 V DC
Nominal discharge current $I_n$	1 kA
Mode of protection	L-N
	L-G

# PLT-SEC-T3-24-P - Type 3 surge protection plug



2905232

<https://www.phoenixcontact.com/gb/products/2905232>

	N-G
	(L+) - (L-)
	(L+) - G
	(L-) - G
Nominal voltage	24 V DC
Power distribution system	Single phase
Nominal frequency	50/60 Hz
Measured limiting voltage MLV (L-N)	290 V
Measured limiting voltage MLV (L-G)	560 V
Measured limiting voltage MLV (N-G)	560 V
Measured limiting voltage MLV (L+) - (L-)	290 V
Measured limiting voltage MLV (L+) - G	560 V
Measured limiting voltage MLV (L-) - G	560 V
SPD Type	4CA

## Standards and regulations

Standards/specifications	IEC 61643-11
Note	2011

### EN 61643-11

Standards/specifications	EN 61643-11
Note	2012

## Mounting

Mounting type	on base element
---------------	-----------------

# PLT-SEC-T3-24-P - Type 3 surge protection plug

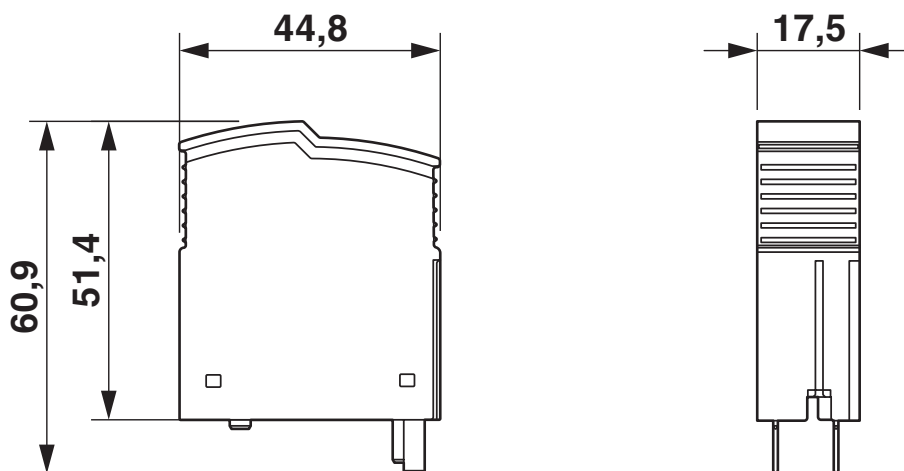
2905232

<https://www.phoenixcontact.com/gb/products/2905232>



## Drawings

Dimensional drawing

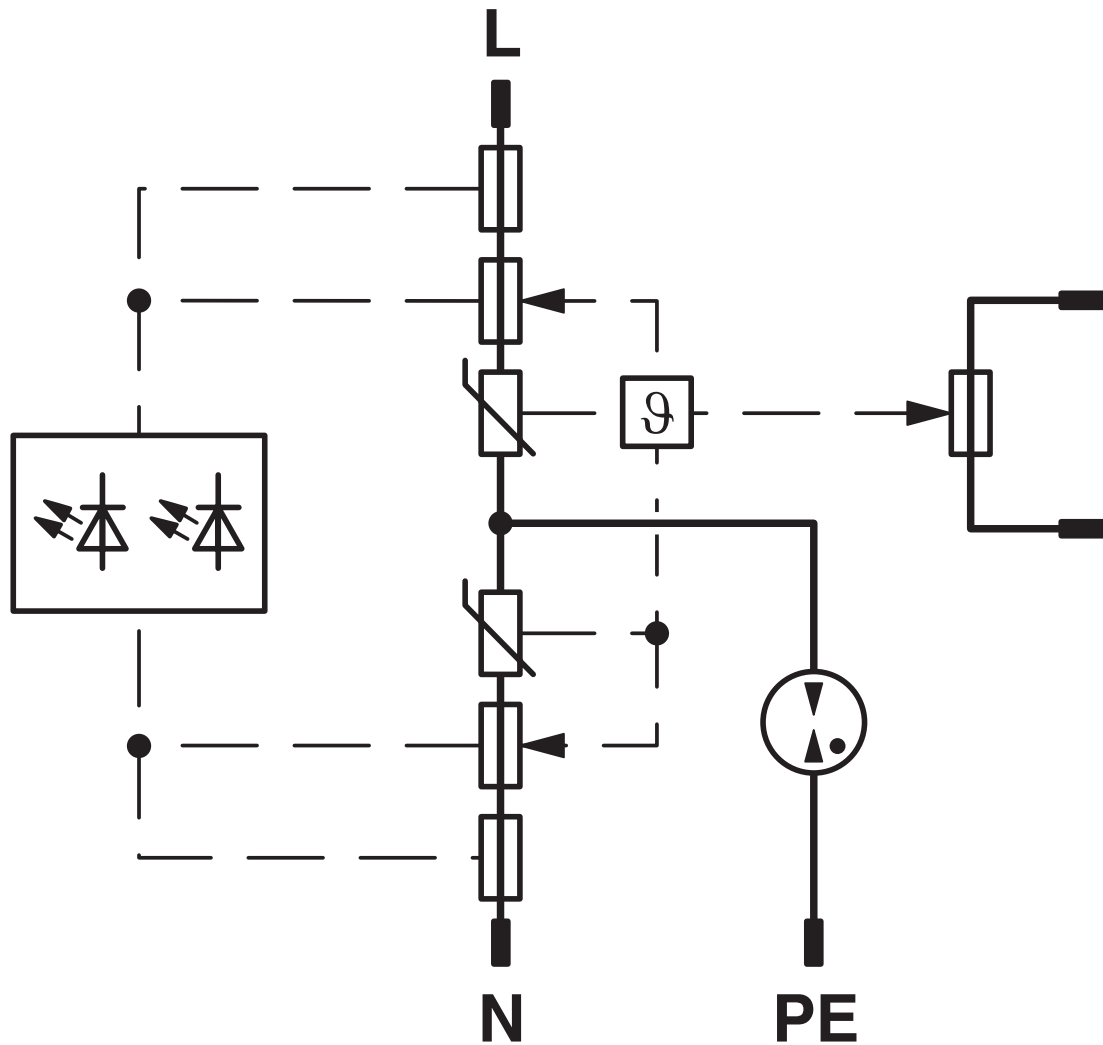


# PLT-SEC-T3-24-P - Type 3 surge protection plug

2905232

<https://www.phoenixcontact.com/gb/products/2905232>

Circuit diagram



# PLT-SEC-T3-24-P - Type 3 surge protection plug



2905232

<https://www.phoenixcontact.com/gb/products/2905232>

## Classifications

### UNSPSC

UNSPSC 21.0	39121620
-------------	----------

# PLT-SEC-T3-24-P - Type 3 surge protection plug



2905232

<https://www.phoenixcontact.com/gb/products/2905232>

## Environmental product compliance

### EU RoHS

Fulfills EU RoHS substance requirements	Yes
Exemption	7(a), 7(c)-I

### China RoHS

Environment friendly use period (EFUP)	EFUP-E
	No hazardous substances above the limits

### EU REACH SVHC

REACH candidate substance (CAS No.)	Lead(CAS: 7439-92-1)
-------------------------------------	----------------------

Phoenix Contact 2026 © - all rights reserved

<https://www.phoenixcontact.com>

PHOENIX CONTACT Ltd

Halesfield 13, Telford

Shropshire, TF7 4PG

01952 681700

[info@phoenixcontact.co.uk](mailto:info@phoenixcontact.co.uk)