

ELR H5-IES-PT- 24DC/500AC-9 - Hybrid motor starter



2903906

<https://www.phoenixcontact.com/gb/products/2903906>

Please be informed that the data shown in this PDF document is generated from our online catalog. Please find the complete data in the user documentation. Our general terms of use for downloads are valid.



Hybrid motor starter for reversing 3~ AC motors up to 500 V AC and 9 A output current, with 24 V DC control voltage, adjustable overload shutdown and emergency stop function to SIL 3/PL e and push-in connection

Your advantages

- 22.5 mm wide
- Safety level in accordance with IEC 61508-1: SIL 3, ISO 13849: PL e
- Reduction in wiring
- Long service life
- Space saving
- 3-phase loop bridges
- Adjustable current for bimetal function
- Low-wear switching

Commercial data

| | |
|--------------------------------------|--------------------------------|
| Item number | 2903906 |
| Packing unit | 1 pc |
| Minimum order quantity | 1 pc |
| Note | Made to order (non-returnable) |
| Sales key | DK7414 |
| Product key | DK7414 |
| GTIN | 4046356771290 |
| Weight per piece (including packing) | 296 g |
| Weight per piece (excluding packing) | 273.6 g |
| Customs tariff number | 85371098 |
| Country of origin | DE |

Technical data

Product properties

| | |
|----------------|-----------------------|
| Product type | Hybrid motor starters |
| Product family | CONTACTRON |
| Operating mode | 100% operating factor |

Electrical properties

| | |
|---|-------------------------|
| Number of phases | 3 |
| Motor starter type | Reversing starter |
| Switching frequency | ≤ 2 Hz (Load-dependent) |
| Maximum power dissipation for nominal condition | 13.5 W |
| Switching frequency | ≤ 2 Hz (Load-dependent) |
| Maximum power dissipation | 14.6 W |
| Minimum power dissipation | 1.1 W |
| Coordination type | 1 |

Supply

| | |
|--|-----------------------------|
| Rated control circuit supply voltage U_S | 24 V DC |
| Control supply voltage range | 19.2 V DC ... 30 V DC |
| Rated control supply current I_S | 40 mA |
| Protective circuit | Surge protection |
| | Reverse polarity protection |

Insulation characteristics

| | |
|--|---|
| Rated insulation voltage | 500 V |
| Rated surge voltage | 6 kV |
| Overvoltage category | III |
| Degree of pollution | 2 |
| Insulation characteristics between the control input and control supply voltage, and auxiliary circuit to the main circuit | Safe isolation (IEC 60947-1) at operating voltage ≤ 300 V AC |
| | Basic insulation (IEC 60947-1) at operating voltage 300 V AC ... 500 V AC |
| Isolation characteristics between the control input and control supply voltage to auxiliary circuit | Safe isolation (IEC 60947-1) in the auxiliary circuit ≤ 300 V AC |

Emergency tripping

| | |
|-------------------|--------|
| Operate threshold | > 45 A |
| Response time | 2 s |

Input data

Control

| | |
|-------------------------------|--------------------------|
| Input name | Control input right/left |
| Rated actuating voltage U_C | 24 V DC |
| Triggering voltage range | 19.2 V DC ... 30 V DC |
| Rated actuating current I_C | 5 mA (Input type 1) |

| | |
|-----------------------|-------------------------------|
| Switching threshold | 9.6 V ("0" signal) |
| | 19.2 V ("1" signal) |
| Switching level | < 5 V DC (For EMERGENCY STOP) |
| Typical turn-off time | < 30 ms |
| Protective circuit | Reverse polarity protection |

Output data

AC output

| | |
|---|---------------------------------|
| Rated operating voltage U_e | 500 V AC |
| Operating voltage range | 42 V AC ... 550 V AC |
| Rated operating current I_e | 9 A (AC-51) |
| | 6.5 A (AC-53a) |
| Mains frequency | 50/60 Hz |
| Load current range | 1.5 A ... 9 A (see to derating) |
| Trigger characteristic in acc. with IEC 60947-4-2 | Class 10A |
| Cooling time | 20 min (for auto reset) |
| Leakage current | 0 mA |
| Protective circuit | Surge protection |

Acknowledge output

| | |
|---|--|
| Note | Confirmation: floating change-over contact, signal contact |
| Contact switching type | 1 changeover contact |
| Switching capacity in accordance with IEC 60947-5-1 | 3 A (230 V, AC15) |
| | 2 A (24 V (DC13)) |

Connection data

Control circuits

| | |
|----------------------------------|---|
| Connection method | Push-in connection |
| Stripping length | 10 mm |
| Conductor cross-section rigid | 0.2 mm ² ... 2.5 mm ² |
| Conductor cross-section flexible | 0.2 mm ² ... 2.5 mm ² |
| Conductor cross-section AWG | 24 ... 14 |

Load circuit

| | |
|----------------------------------|---|
| Connection method | Push-in connection |
| Stripping length | 10 mm |
| Conductor cross-section rigid | 0.2 mm ² ... 2.5 mm ² |
| Conductor cross-section flexible | 0.2 mm ² ... 2.5 mm ² |
| Conductor cross-section AWG | 24 ... 14 |

Signaling

| | |
|---------------------------|--------------|
| Status display | LED (yellow) |
| Operating voltage display | Green LED |
| Error indication | Red LED |

2903906

<https://www.phoenixcontact.com/gb/products/2903906>

Dimensions

| | |
|--------|----------|
| Width | 22.5 mm |
| Height | 107.5 mm |
| Depth | 114 mm |

Material specifications

| | |
|--|--------------|
| Flammability rating according to UL 94 (Housing) | V0 (Housing) |
|--|--------------|

Environmental and real-life conditions

Ambient conditions

| | |
|---|-------------------------------------|
| Degree of protection | IP20 |
| Ambient temperature (operation) | -25 °C ... 70 °C (observe derating) |
| Ambient temperature (storage/transport) | -40 °C ... 80 °C |
| Altitude | ≤ 2000 m |

Approvals

ATEX

| | |
|----------------|----------------------------------|
| Identification | ⊕ II (2) G [Ex e] [Ex d] [Ex px] |
| | ⊕ II (2) D [Ex t] [Ex p] |
| Certificate | PTB 07 ATEX 3145 |

UL approval

| | |
|-------------|--------------|
| Certificate | NLDX.E228652 |
|-------------|--------------|

Safety Integrity Level (SIL, IEC 61508)

| | |
|----------------|---------------|
| Identification | ≤ 3 |
| Note | Safe shutdown |

Safety Integrity Level (SIL, IEC 61508)

| | |
|----------------|------------------|
| Identification | 2 |
| Note | Motor protection |

Performance Level (ISO 13849)

| | |
|----------------|---------------|
| Identification | ≤ e |
| Note | Safe shutdown |

Category (ISO 13849)

| | |
|----------------|---------------|
| Identification | ≤ 3 |
| Note | Safe shutdown |

UL data

| | |
|--------------------|---|
| SCCR | 100 kA (500 V AC (fuse: 30 A class CC/30 A class J (high fault))) |
| | 5 kA (500 V AC (fuse: 20 A RK5 (standard fault))) |
| FLA | 6.5 A (500 V AC) |
| Group installation | 20 A (class RK5, SCCR 5kA, #24 - 14 AWG max. solid and stranded) |

ELR H5-IES-PT- 24DC/500AC-9 - Hybrid motor starter



2903906

<https://www.phoenixcontact.com/gb/products/2903906>

| | |
|---------------|--|
| | 30 A (class CC or J, SCCR 100kA, #24 - 14 AWG max, solid and stranded) |
| Category code | NLDX |

Standards and regulations

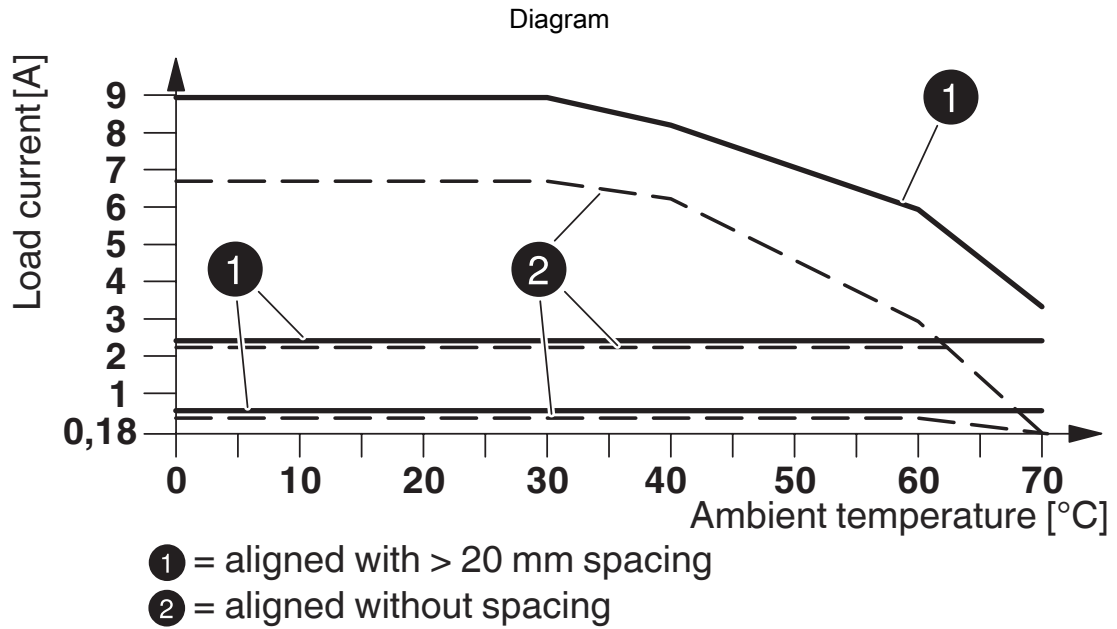
Standards/regulations

| | |
|-----------------------|---------------|
| Standards/regulations | IEC 60947-1 |
| | IEC 60947-4-2 |
| | IEC 61508 |
| | ISO 13849 |

Mounting

| | |
|-------------------|--|
| Mounting type | DIN rail mounting |
| Assembly note | alignable, for spacing see derating |
| Mounting position | vertical (horizontal DIN rail, motor output below) |

Drawings



Derating diagram

Circuit diagram



Conventional structure

Main current path for reversing contactor according to category 3

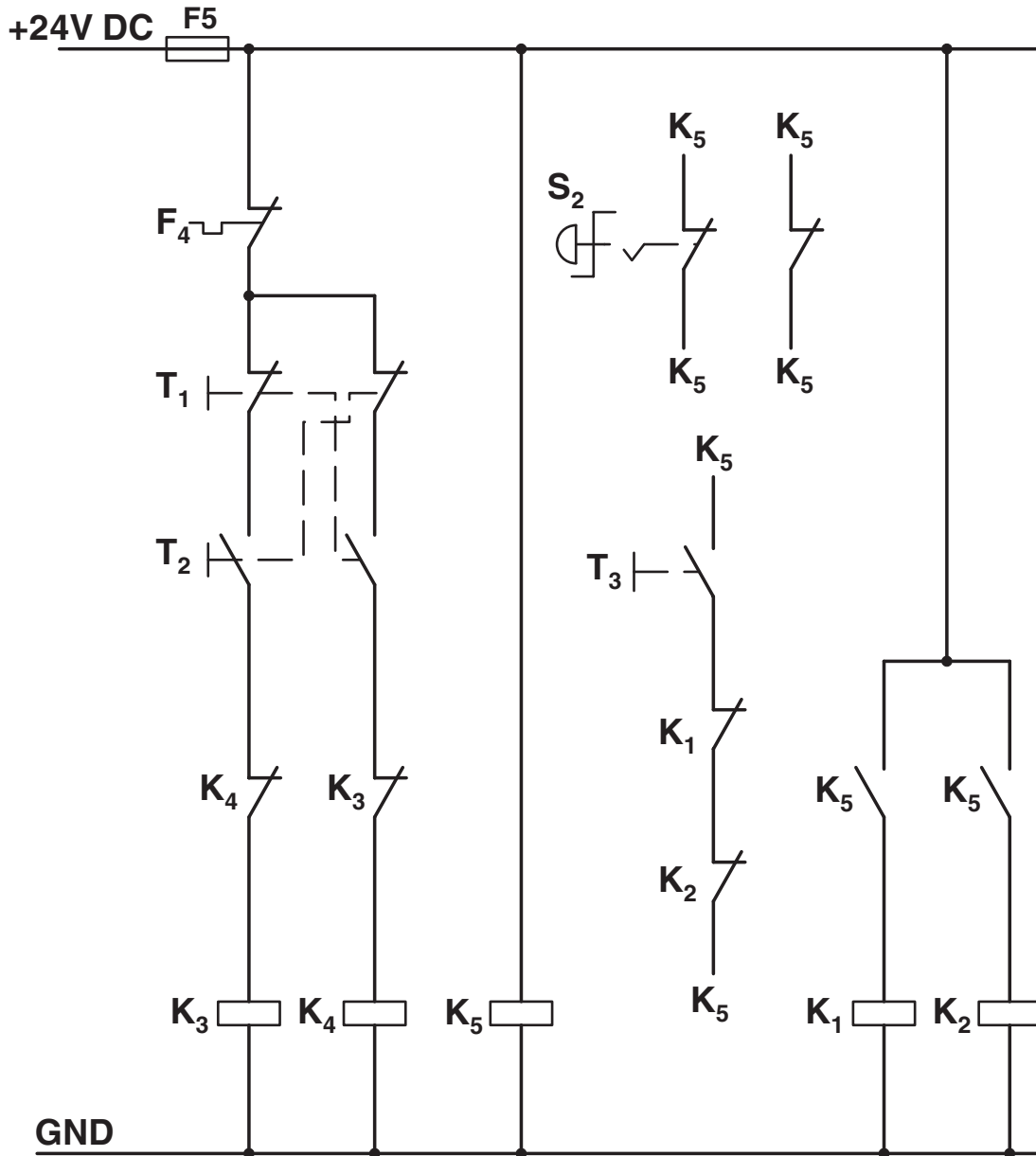
K1 + K2 = Emergency stop contactor

K3 = Left contactor

K4 = Right contactor

F4 = Motor protection relay

Circuit diagram



Conventional structure

Control current path reversing contactor according to category 3

- K1 + K2 = Emergency stop contactor
- K3 = Left contactor
- K4 = Right contactor
- K5 = PSR SCP-24DC.../Safety relay
- T1 = Right, T2 = Left, T3 = Reset
- S2 = Emergency stop
- F4 = Motor protection relay

Circuit diagram



Structure with CONTACTRON

Main and control current path for '4 in 1' hybrid motor starter with reversing function according to category 3

K1 = '4 in 1' hybrid motor starter with reversing function

K5 = PSR SCP-24DC.../Safety relay

T1 = Right, T2 = Left, T3 = Reset

S2 = Emergency stop

Block diagram



2903906

<https://www.phoenixcontact.com/gb/products/2903906>

Approvals

To download certificates, visit the product detail page: <https://www.phoenixcontact.com/gb/products/2903906>



IECEE CB Scheme

Approval ID: DE1-55728



EAC

Approval ID: RU*C-DE.*08.B.00520*



UL Listed

Approval ID: FILE E 323771



CCC

Approval ID: 2016010304871315



cUL Listed

Approval ID: FILE E 323771



cUL Listed

Approval ID: E228652



UL Listed

Approval ID: E228652



CCC

Approval ID: 2024010304672817



ATEX

Approval ID: PTB 07 ATEX 3145

2903906

<https://www.phoenixcontact.com/gb/products/2903906>

Classifications

ECLASS

| | |
|-------------------|----------|
| ECLASS-13.0 | 27370905 |
| ECLASS-15.0 | 27370905 |
| ECLASS-15.0 ASSET | 27250101 |

ETIM

| | |
|-----------|----------|
| ETIM 10.0 | EC001037 |
|-----------|----------|

UNSPSC

| | |
|-------------|----------|
| UNSPSC 21.0 | 25173900 |
|-------------|----------|

2903906

<https://www.phoenixcontact.com/gb/products/2903906>

Environmental product compliance

EU RoHS

| | |
|---|--------------|
| Fulfills EU RoHS substance requirements | Yes |
| Exemption | 7(a), 7(c)-I |

China RoHS

| | |
|--|---|
| Environment friendly use period (EFUP) | EFUP-50 |
| | An article-related China RoHS declaration table can be found in the download area for the respective article under "Manufacturer declaration". For all articles with EFUP-E, no China RoHS declaration table issued and required. |

EU REACH SVHC

| | |
|-------------------------------------|--|
| REACH candidate substance (CAS No.) | 1-Methyl-2-pyrrolidone (NMP)(CAS: 872-50-4) |
| | Lead(CAS: 7439-92-1) |
| | 2,2',6,6'-tetrabromo-4,4'-isopropylidenediphenol(CAS: 79-94-7) |
| SCIP | cca55e6c-b2d7-4223-bd49-118e0bbefaae |

Phoenix Contact 2026 © - all rights reserved
<https://www.phoenixcontact.com>

PHOENIX CONTACT Ltd
 Halesfield 13, Telford
 Shropshire, TF7 4PG
 01952 681700
info@phoenixcontact.co.uk