

EMD-BL-V-230 - Monitoring relay



2903523

<https://www.phoenixcontact.com/gb/products/2903523>

Please be informed that the data shown in this PDF document is generated from our online catalog. Please find the complete data in the user documentation. Our general terms of use for downloads are valid.



Monitoring relay for monitoring 1-phase voltages of 24 V AC/DC or 230 V AC, undervoltage or window, 1 changeover contact, with screw connection

Product description

Safety and system availability requirements are constantly on the increase – across all industries. Processes are becoming more and more complex, not only in machine building and the chemical industry but also in building technology. The demands placed on energy technology are also constantly on the rise.

It is only by continuously monitoring key network and system parameters that error-free and therefore cost-effective operation can be achieved. Electronic monitoring relays from the EMD series are available for a wide range of monitoring tasks so that the consequences of errors can be avoided or kept within limits.

The operating states are signaled via color LEDs and any errors that occur can be sent to a controller via a floating contact or can shut down a section of the system. All device versions are equipped with response delays so that measured values outside the set monitoring range can be briefly tolerated.

Commercial data

| | |
|--------------------------------------|---------------|
| Item number | 2903523 |
| Packing unit | 1 pc |
| Minimum order quantity | 1 pc |
| Sales key | DK6481 |
| Product key | DK6481 |
| GTIN | 4046356747271 |
| Weight per piece (including packing) | 79.7 g |
| Weight per piece (excluding packing) | 79.4 g |
| Customs tariff number | 85364900 |
| Country of origin | AT |

Technical data

Product properties

| | |
|-------------------------|----------------------------|
| Product type | Voltage monitoring relay |
| Operating mode | 100% operating factor |
| Mechanical service life | 15x 10 ⁶ cycles |

Insulation characteristics

| | |
|----------------------|------------------|
| Insulation | Basic insulation |
| Overvoltage category | III |
| Pollution degree | 2 |

Electrical properties

| | |
|--------------------------|---------------------------|
| Service life electrical | 1x 10 ⁵ cycles |
| Mains type | 1-phase |
| Rated insulation voltage | 300 V (Supply circuit) |
| | 250 V (Output circuit) |
| Rated surge voltage | 4 kV |

Supply

| | |
|---------------------------|---------------------------------------|
| Supply voltage | -25 % ... +20 % (= measuring voltage) |
| Supply voltage range | -25 % ... +20 % (= measuring voltage) |
| Nominal power consumption | 10 VA (At 230 V AC (0.6 W)) |
| | 1.3 VA (At 24 V AC (0.8 W)) |
| | 0.6 W (at 24 V DC) |

Input data

| | |
|----------------------------------|--|
| Input name | Measuring input |
| Measured value | DC, AC sine (48 Hz ... 63 Hz) |
| Input voltage range | 0 V DC ... 24 V DC (Connection terminal blocks: U1 and GND) |
| | 0 V AC ... 24 V AC (Connection terminal blocks: U2 and GND) |
| | 0 V AC ... 230 V AC (Connection terminal blocks: U3 and GND) |
| Frequency range | 48 Hz ... 63 Hz |
| Maximum temperature coefficient | ≤ 0.05 % |
| Setting range for response delay | 0.1 s ... 10 s |
| Min. setting range | 75 % ... 115 % (From U _N) |
| Max. setting range | 80 % ... 120 % (From U _N) |
| Function | Undervoltage |
| | Window |
| Basic accuracy | ≤ 5 % (of scale end value) |
| Setting accuracy | ± 5 % (of scale end value) |
| Repeat accuracy | ≤ 2 % |
| Recovery time | > 500 ms |

EMD-BL-V-230 - Monitoring relay



2903523

<https://www.phoenixcontact.com/gb/products/2903523>

Output data

Switching

| | |
|---------------------------------------|-------------------------------------|
| Contact switching type | 1 floating changeover contact |
| Maximum switching voltage | 250 V AC (in acc. with IEC 60664-1) |
| Interrupting rating (ohmic load) max. | 1250 VA (5 A / 250 V AC) |
| Output fuse | 5 A (fast-blow) |

Connection data

| | |
|----------------------------------|---|
| Connection method | Screw connection |
| Stripping length | 8 mm |
| Conductor cross-section rigid | 0.5 mm ² ... 2.5 mm ² |
| Conductor cross-section flexible | 0.5 mm ² ... 2.5 mm ² |
| Conductor cross-section AWG | 20 ... 14 |
| Tightening torque | 1 Nm ... 1 Nm |

Signaling

| | |
|---------------------------|--------------|
| Status display | LED (yellow) |
| Operating voltage display | Green LED |
| Error indication | Red LED |

Dimensions

| | |
|--------|---------|
| Width | 17.5 mm |
| Height | 89.5 mm |
| Depth | 65.5 mm |

Material specifications

| | |
|-----------------------------|--------------------------------------|
| Color | gray (RAL 7042) |
| Housing insulation material | Polyamide PA 6.6, self-extinguishing |

Environmental and real-life conditions

Ambient conditions

| | |
|---|-----------------------------------|
| Degree of protection (Housing) | IP40 (Housing) |
| Degree of protection (Connection terminal blocks) | IP20 (Connection terminal blocks) |
| Ambient temperature (operation) | -25 °C ... 55 °C |
| Ambient temperature (storage/transport) | -25 °C ... 70 °C |
| Climatic class | 3K3 (in acc. with EN 60721) |
| Permissible humidity (operation) | 15 % ... 85 % |

Approvals

CE

| | |
|-------------|--------------|
| Certificate | CE-compliant |
|-------------|--------------|

UL, USA/Canada

EMD-BL-V-230 - Monitoring relay



2903523

<https://www.phoenixcontact.com/gb/products/2903523>

| | |
|----------------|-----------------------|
| Identification | UL/C-UL Listed UL 508 |
|----------------|-----------------------|

EMC data

| | |
|-------------------------------|--|
| Electromagnetic compatibility | Conformance with EMC directive |
| Low Voltage Directive | Conformance with Low Voltage Directive |
| Noise immunity | EN 61000-6-2 |

Noise emission

| | |
|-----------------------|--------------|
| Standards/regulations | EN 61000-6-3 |
|-----------------------|--------------|

Standards and regulations

| | |
|-----------------------|------------------|
| Standards/regulations | DIN EN 60947-5-1 |
|-----------------------|------------------|

Mounting

| | |
|-------------------|--|
| Mounting type | DIN rail mounting |
| Assembly note | on standard DIN rail NS 35 in accordance with EN 60715 |
| Mounting position | any |

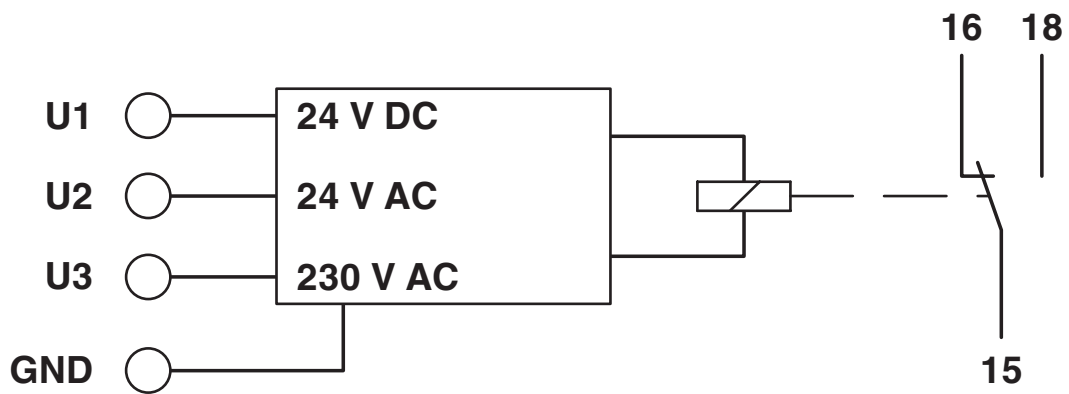
EMD-BL-V-230 - Monitoring relay

2903523

<https://www.phoenixcontact.com/gb/products/2903523>

Drawings

Block diagram



EMD-BL-V-230 - Monitoring relay



2903523

<https://www.phoenixcontact.com/gb/products/2903523>

Approvals

To download certificates, visit the product detail page: <https://www.phoenixcontact.com/gb/products/2903523>



EAC

Approval ID: RU*C-DE.*08.B.00010



UL Listed

Approval ID: FILE E 172140



cUL Listed

Approval ID: FILE E 172140

EMD-BL-V-230 - Monitoring relay



2903523

<https://www.phoenixcontact.com/gb/products/2903523>

Classifications

ECLASS

| | |
|-------------|----------|
| ECLASS-13.0 | 27371801 |
| ECLASS-15.0 | 27371801 |

ETIM

| | |
|-----------|----------|
| ETIM 10.0 | EC001438 |
|-----------|----------|

UNSPSC

| | |
|-------------|----------|
| UNSPSC 21.0 | 41113600 |
|-------------|----------|

EMD-BL-V-230 - Monitoring relay



2903523

<https://www.phoenixcontact.com/gb/products/2903523>

Environmental product compliance

EU RoHS

| | |
|---|--------------------|
| Fulfills EU RoHS substance requirements | Yes, No exemptions |
|---|--------------------|

China RoHS

| | |
|--|--|
| Environment friendly use period (EFUP) | EFUP-E |
| | No hazardous substances above the limits |

EU REACH SVHC

| | |
|-------------------------------------|----------------------------|
| REACH candidate substance (CAS No.) | No substance above 0.1 wt% |
|-------------------------------------|----------------------------|

EF3.1 Climate Change

| | |
|---------|--------------|
| CO2e kg | 3.99 kg CO2e |
|---------|--------------|

Phoenix Contact 2026 © - all rights reserved
<https://www.phoenixcontact.com>

PHOENIX CONTACT Ltd
Halesfield 13, Telford
Shropshire, TF7 4PG
01952 681700
info@phoenixcontact.co.uk