

PLC-OPT-LPE-24DC/48DC/100 - Timer module



2903173

<https://www.phoenixcontact.com/gb/products/2903173>

Please be informed that the data shown in this PDF document is generated from our online catalog. Please find the complete data in the user documentation. Our general terms of use for downloads are valid.



1-channel pulse expansion module, input: 24 V DC, output: 3 - 48 V DC/100 mA, supply: 24 V DC, Push-in connection

Product description

DIP switch settings:

Function

DIP A low - no restart when triggered again (default)

DIP A high - restart when triggered again

DIP B low - input pulse time > 2 ms (default)

DIP B high - input pulse time > 100 μ s

Pulse expansion times

DIP 1 - 10 ms

DIP 2 - 20 ms

DIP 3 - 40 ms

DIP 4 - 80 ms

DIP 5 - 160 ms

DIP 6 - 320 ms

DIP 7 - 640 ms

DIP 8 - 1280 ms

No DIP switch set: no switching function for the output

If the input signal is longer than the selected time, the output is switched off after removal of the input signal.

The settings are applied after a voltage reset of the rated control supply voltage.

Commercial data

| | |
|--------------------------------------|--------------------------------|
| Item number | 2903173 |
| Packing unit | 1 pc |
| Minimum order quantity | 1 pc |
| Note | Made to order (non-returnable) |
| Sales key | DK62A3 |
| Product key | DK62A3 |
| GTIN | 4046356727860 |
| Weight per piece (including packing) | 36.1 g |
| Weight per piece (excluding packing) | 32.35 g |
| Customs tariff number | 85371098 |
| Country of origin | DE |

Technical data

Product properties

| | |
|----------------|--------------------------|
| Product type | Solid-state relay module |
| Product family | PLC-INTERFACE |
| Application | Pulse stretching |
| Operating mode | 100% operating factor |

Insulation characteristics: Air clearances and creepage distances between the power circuits

| | |
|----------------------|------------------|
| Insulation | Basic insulation |
| Overvoltage category | II |
| Pollution degree | 2 |

Data management status

| | |
|------------------------------|------------|
| Date of last data management | 20.04.2026 |
|------------------------------|------------|

Electrical properties

| | |
|---|---|
| Maximum power dissipation for nominal condition | 0.07 W |
| Test voltage (Input/output) | 2.5 kV _{rms} (50 Hz, 1 min., input/output) |

Air clearances and creepage distances between the power circuits

| | |
|--------------------------|---------|
| Rated insulation voltage | 50 V DC |
| Rated surge voltage | 0.5 kV |

Input data

| | |
|--|--|
| Rated control circuit supply voltage U_S | 24 V DC |
| Voltage range with reference to U_S | 0.8 ... 1.2 |
| Rated control supply current I_S | 13 mA (Input low, output low) 19 mA (Input high, output high) |
| Rated actuating voltage U_C | 24 V DC |
| Rated actuating current I_C | 3 mA |
| Input voltage range | 19.2 V DC ... 28.8 V DC |
| "0" signal switching threshold in reference to U_C | < 0.4 |
| "1" signal switching threshold in reference to U_C | > 0.8 |
| Status display | LED (yellow) |
| Operating voltage display | Green LED |
| Protective circuit | Reverse polarity protection Surge protection |
| Surge voltage protection | > 33 V DC |

Output data

| | |
|-----------------------------|--------------------|
| Contact switching type | 1 N/O contact |
| Design of digital output | electronic |
| Output voltage range | 3 V DC ... 48 V DC |
| Limiting continuous current | 100 mA |

PLC-OPT-LPE-24DC/48DC/100 - Timer module



2903173

<https://www.phoenixcontact.com/gb/products/2903173>

| | |
|--|--------------------------------|
| Surge voltage protection | > 54 V DC |
| Voltage drop at max. limiting continuous current | < 1 V DC |
| Output circuit | 3-conductor, ground-referenced |
| Protective circuit | Reverse polarity protection |
| | Surge protection |
| | Free running |

Connection data

| | |
|----------------------------------|--|
| Connection method | Push-in connection |
| Stripping length | 10 mm |
| Conductor cross-section rigid | 0.14 mm ² ... 2.5 mm ² |
| Conductor cross-section flexible | 0.14 mm ² ... 2.5 mm ² |
| | 0.2 mm ² ... 2.5 mm ² (Single ferrule) |
| | 2x 0.5 mm ² ... 1 mm ² (TWIN ferrule) |
| Conductor cross-section AWG | 26 ... 14 |

Dimensions

Item dimensions

| | |
|--------|--------|
| Width | 6.2 mm |
| Height | 80 mm |
| Depth | 94 mm |

Material specifications

| | |
|-------|-----------------|
| Color | gray (RAL 7042) |
|-------|-----------------|

Environmental and real-life conditions

Ambient conditions

| | |
|---|------------------|
| Degree of protection | IP20 |
| Ambient temperature (operation) | -25 °C ... 60 °C |
| Ambient temperature (storage/transport) | -25 °C ... 75 °C |

Approvals

Corrosive gas test

| | |
|----------------|----------------------------|
| Identification | ISA-S71.04. G3 Harsh Group |
| | EN 60068-2-60 |

Standards and regulations

Air clearances and creepage distances between the power circuits

| | |
|-----------------------|---------------|
| Standards/regulations | IEC 60947-5-1 |
|-----------------------|---------------|

Mounting

| | |
|---------------|---------------------------|
| Mounting type | DIN rail mounting |
| Assembly note | in rows with zero spacing |

PLC-OPT-LPE-24DC/48DC/100 - Timer module



2903173

<https://www.phoenixcontact.com/gb/products/2903173>

| | |
|-------------------|-----|
| Mounting position | any |
|-------------------|-----|

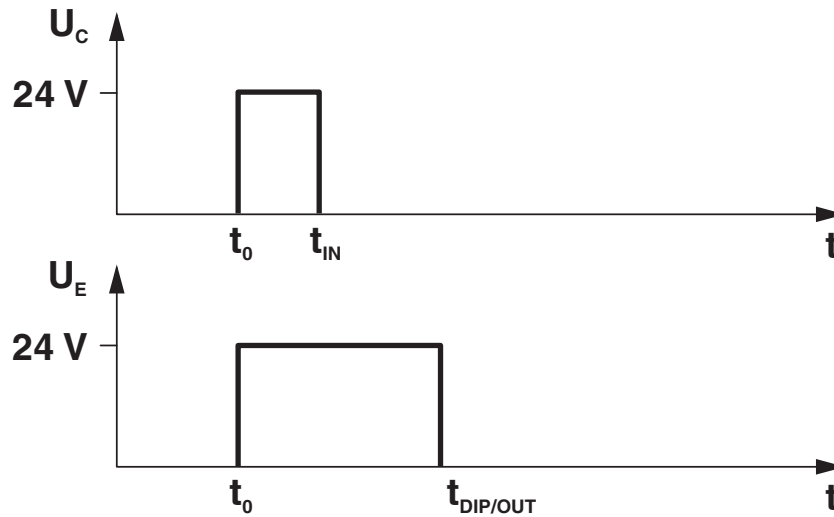
Drawings

Connection diagram

| t_{DIP} | | | | | | | |
|-----------|----|----|----|-----|-----|-----|------|
| S1 | S2 | S3 | S4 | S5 | S6 | S7 | S8 |
| 10 | — | — | — | — | — | — | — |
| — | 20 | — | — | — | — | — | — |
| — | — | 40 | — | — | — | — | — |
| — | — | — | 80 | — | — | — | — |
| — | — | — | — | 160 | — | — | — |
| — | — | — | — | — | 320 | — | — |
| — | — | — | — | — | — | 640 | — |
| — | — | — | — | — | — | — | 1280 |

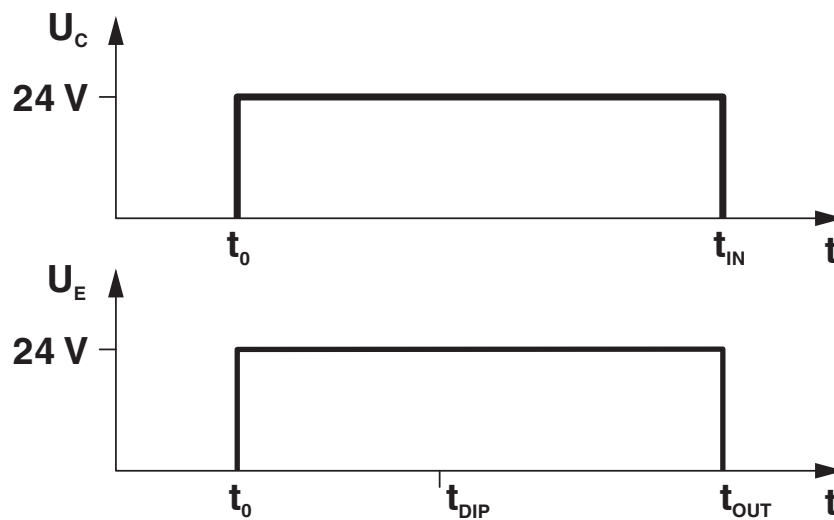
DIP switches

Diagram



Input pulse $t_{IN} <$ set output pulse t_{DIP} (no restart when triggered again)

Diagram

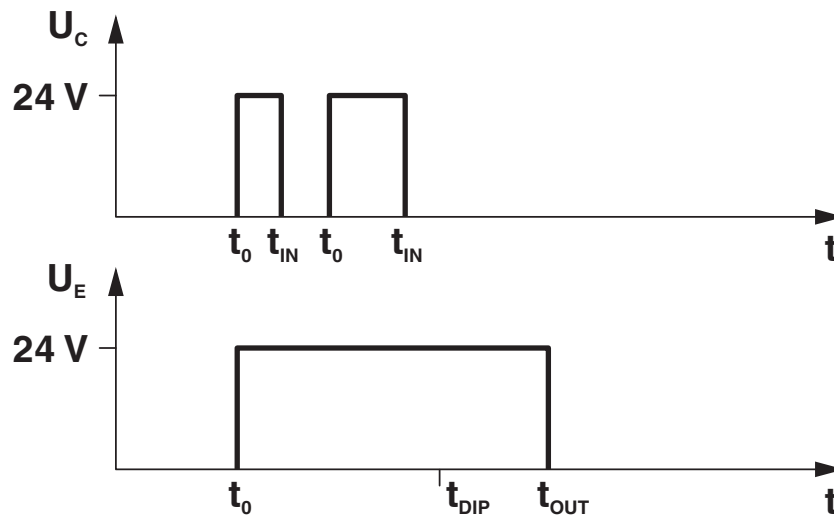


Input pulse $t_{IN} \geq$ set output pulse t_{DIP} , then input pulse $t_{IN} =$ output pulse t_{OUT} (no restart when triggered again)

2903173

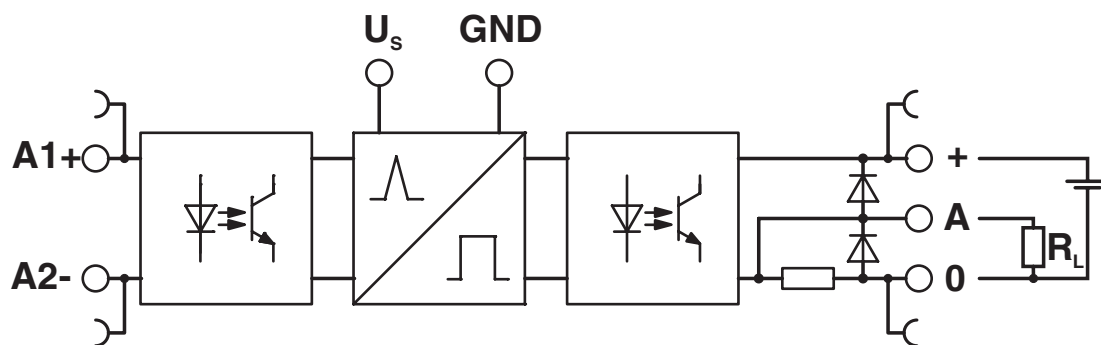
<https://www.phoenixcontact.com/gb/products/2903173>

Diagram



Input pulse $t_{IN} <$ set output pulse t_{DIP} (restart when triggered again)

Circuit diagram



PLC-OPT-LPE-24DC/48DC/100 - Timer module



2903173

<https://www.phoenixcontact.com/gb/products/2903173>

Approvals

To download certificates, visit the product detail page: <https://www.phoenixcontact.com/gb/products/2903173>



EAC

Approval ID: RU C-DE.A*30.B.01082



EAC

Approval ID: RU*DE.*08.B.01536/19



cULus Listed

Approval ID: E140324



cULus Listed

Approval ID: E140324



cULus Listed

Approval ID: E140324

PLC-OPT-LPE-24DC/48DC/100 - Timer module



2903173

<https://www.phoenixcontact.com/gb/products/2903173>

Classifications

ECLASS

| | |
|-------------|----------|
| ECLASS-13.0 | 27371604 |
| ECLASS-15.0 | 27371604 |

ETIM

| | |
|-----------|----------|
| ETIM 10.0 | EC001504 |
|-----------|----------|

UNSPSC

| | |
|-------------|----------|
| UNSPSC 21.0 | 39122300 |
|-------------|----------|

2903173

<https://www.phoenixcontact.com/gb/products/2903173>

Environmental product compliance

EU RoHS

| | |
|---|--------------|
| Fulfills EU RoHS substance requirements | Yes |
| Exemption | 7(a), 7(c)-I |

China RoHS

| | |
|--|---|
| Environment friendly use period (EFUP) | EFUP-50 |
| | An article-related China RoHS declaration table can be found in the download area for the respective article under "Manufacturer declaration". For all articles with EFUP-E, no China RoHS declaration table issued and required. |

EU REACH SVHC

| | |
|-------------------------------------|--------------------------------------|
| REACH candidate substance (CAS No.) | Lead(CAS: 7439-92-1) |
| SCIP | 8bc08110-d020-4612-b35c-ef7d9b5d4ebf |

EF3.1 Climate Change

| | |
|---------|---------------|
| CO2e kg | 2.848 kg CO2e |
|---------|---------------|

Phoenix Contact 2026 © - all rights reserved
<https://www.phoenixcontact.com>

PHOENIX CONTACT Ltd
Halesfield 13, Telford
Shropshire, TF7 4PG
01952 681700
info@phoenixcontact.co.uk