

# EM-CAN-GATEWAY-IFS - Data interface



2901504

<https://www.phoenixcontact.com/gb/products/2901504>

Please be informed that the data shown in this PDF document is generated from our online catalog. Please find the complete data in the user documentation. Our general terms of use for downloads are valid.



Gateway for the connection of up to 32 Interface system devices to a higher-level controller via CANopen®. The Interface system devices are connected to the gateway via DIN rail connectors. The DIN rail connectors are provided.

## Commercial data

Item number	2901504
Packing unit	1 pc
Minimum order quantity	1 pc
Note	Made to order (non-returnable)
Sales key	DK7722
Product key	DK7722
GTIN	4046356607100
Weight per piece (including packing)	155.05 g
Weight per piece (excluding packing)	99.99 g
Customs tariff number	85176200
Country of origin	DE

## Technical data

### Notes

#### Utilization restriction

EMC note	EMC: class A product, see manufacturer's declaration in the download area
----------	---

### Product properties

Product type	Gateways/Proxies
Operating mode	100% operating factor

#### Insulation characteristics

Overvoltage category	III
Pollution degree	2

### Input data

#### Digital

Number	8
Rated actuating voltage $U_C$	24 V DC $\pm 20$ %
Rated actuating current $I_C$	3 mA
Protective circuit	Reverse polarity protection Surge protection

### Output data

#### Digital: Switching outputs

Number	4
Residual voltage	1 V
Maximum switching voltage	23 V DC ( $U_B - U_{resid.}$ of the output)
Max. switching current	500 mA
Protective circuit	Parallel protection against polarity reversal, pay attention to the fuse (Fusing with max. 8 A F-fuse)

### Connection data

#### Supply

Connection method	Push-in connection
Stripping length	10 mm
Conductor cross-section rigid	0.2 mm <sup>2</sup> ... 2.5 mm <sup>2</sup>
Conductor cross-section flexible	0.2 mm <sup>2</sup> ... 2.5 mm <sup>2</sup>
Conductor cross-section AWG	24 ... 12

#### Input

Connection method	Push-in connection
Stripping length	10 mm

2901504

<https://www.phoenixcontact.com/gb/products/2901504>

Conductor cross-section rigid	0.2 mm <sup>2</sup> ... 2.5 mm <sup>2</sup>
Conductor cross-section flexible	0.2 mm <sup>2</sup> ... 2.5 mm <sup>2</sup>
Conductor cross-section AWG	24 ... 12

## Output

Connection method	Push-in connection
Stripping length	10 mm
Conductor cross-section rigid	0.2 mm <sup>2</sup> ... 2.5 mm <sup>2</sup>
Conductor cross-section flexible	0.2 mm <sup>2</sup> ... 2.5 mm <sup>2</sup>
Conductor cross-section AWG	24 ... 12

## Programming connection

Connection method	S-PORT (socket)
Number of connections	1
Number of positions	12

## INTERFACE system

Connection method	DIN rail bus connector
Number of connections	1
Number of positions	5

## CANopen®

Connection method	Push-in connection
Stripping length	10 mm
Number of connections	1
Number of positions	4
Conductor cross-section rigid	0.2 mm <sup>2</sup> ... 2.5 mm <sup>2</sup>
Conductor cross-section flexible	0.2 mm <sup>2</sup> ... 2.5 mm <sup>2</sup>

## Interfaces

### Data: Network interface

Communication protocol	CANopen®
Connection method	Screw connection
Number of connections	1
Number of positions	4
Transmission speed range	10 kbps ... 1 Mbps

### Data: Service interface

Communication protocol	Interface-System
Connection method	S-PORT (socket)
Number of connections	1
Number of positions	12

### Data: Device bus

Communication protocol	Interface-System
Connection method	DIN rail bus connector

2901504

<https://www.phoenixcontact.com/gb/products/2901504>

Number of connections	1
Number of positions	5
Transmission speed	76.8 kbps

## Dimensions

Width	22.5 mm
Height	107.8 mm
Depth	113.8 mm

## Material specifications

Color	gray (RAL 7042)
Housing material	Polyamide PA non-reinforced

## Environmental and real-life conditions

### Ambient conditions

Degree of protection	IP20
Ambient temperature (operation)	-25 °C ... 50 °C
Ambient temperature (storage/transport)	-35 °C ... 80 °C

## Standards and regulations

Standards/regulations	EN 61000-6-2
	EN 61000-6-4

## Mounting

Mounting type	DIN rail mounting
Assembly note	in rows with zero spacing
Mounting position	any

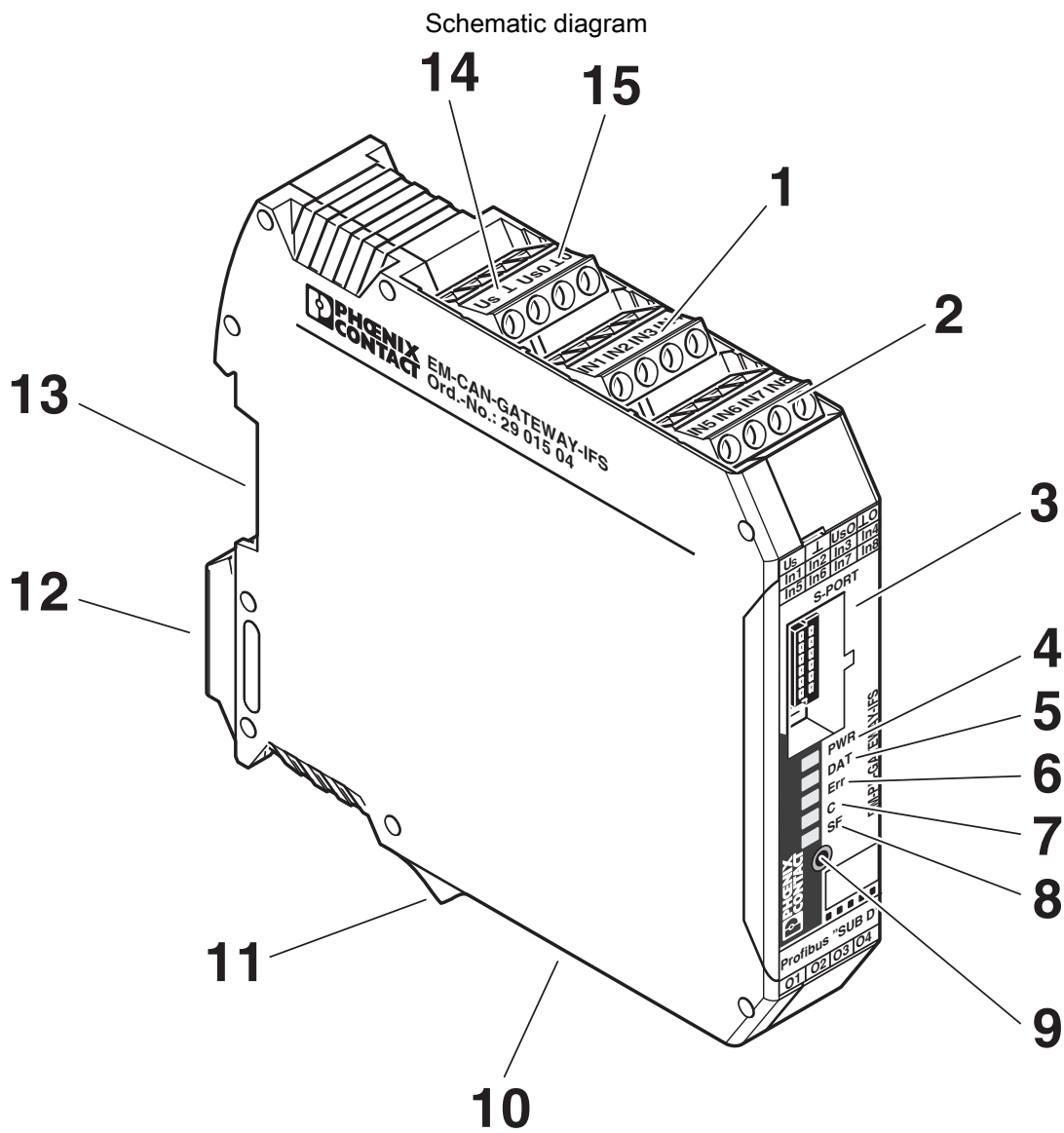
# EM-CAN-GATEWAY-IFS - Data interface



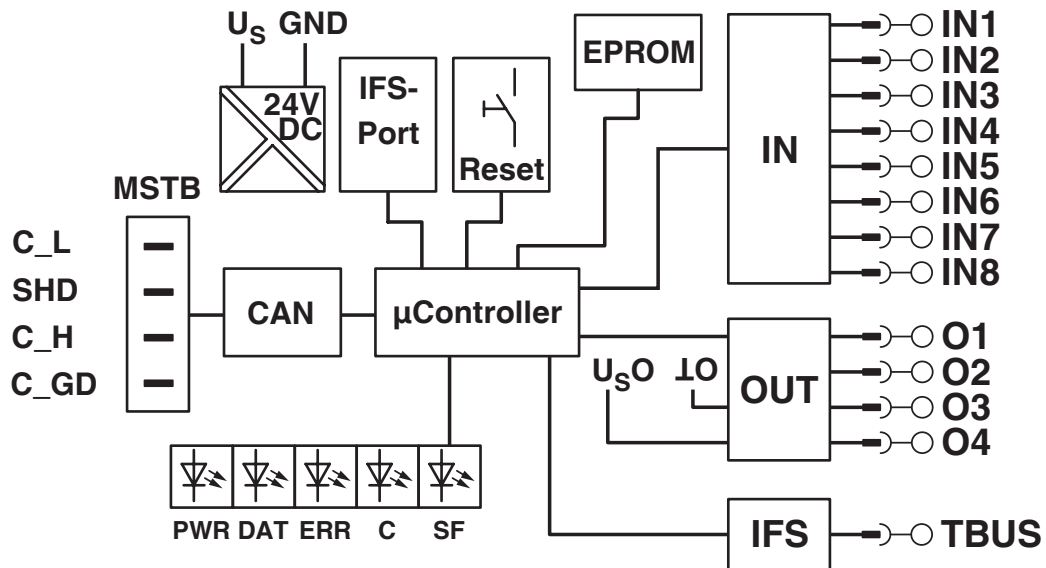
2901504

<https://www.phoenixcontact.com/gb/products/2901504>

## Drawings




Block diagram



2901504

<https://www.phoenixcontact.com/gb/products/2901504>

## Approvals

 To download certificates, visit the product detail page: <https://www.phoenixcontact.com/gb/products/2901504>



**EAC**

Approval ID: RU C-DE.A\*30.B.01082



**UL Listed**

Approval ID: E140324



**cUL Listed**

Approval ID: E140324

2901504

<https://www.phoenixcontact.com/gb/products/2901504>

## Classifications

### ECLASS

ECLASS-13.0	27242608
ECLASS-15.0	27242608

### ETIM

ETIM 10.0	EC001604
-----------	----------

### UNSPSC

UNSPSC 21.0	32151600
-------------	----------

2901504

<https://www.phoenixcontact.com/gb/products/2901504>

## Environmental product compliance

### EU RoHS

Fulfills EU RoHS substance requirements	Yes
Exemption	7(a), 7(c)-I

### China RoHS

Environment friendly use period (EFUP)	EFUP-50
	An article-related China RoHS declaration table can be found in the download area for the respective article under "Manufacturer declaration". For all articles with EFUP-E, no China RoHS declaration table issued and required.

### EU REACH SVHC

REACH candidate substance (CAS No.)	Lead(CAS: 7439-92-1)
	2,2',6,6'-tetrabromo-4,4'-isopropylidenediphenol(CAS: 79-94-7)
SCIP	1fc3a01b-fd0b-4fd1-822e-746b2dc6d7d7

Phoenix Contact 2026 © - all rights reserved  
<https://www.phoenixcontact.com>

PHOENIX CONTACT Ltd  
Halesfield 13, Telford  
Shropshire, TF7 4PG  
01952 681700  
[info@phoenixcontact.co.uk](mailto:info@phoenixcontact.co.uk)