

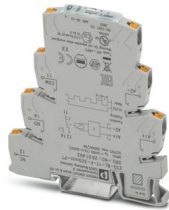
ETD-BL-1T-F-300MIN-PT - Timer relay



2901492

<https://www.phoenixcontact.com/gb/products/2901492>

Please be informed that the data shown in this PDF document is generated from our online catalog. Please find the complete data in the user documentation. Our general terms of use for downloads are valid.



Timer relay with flasher function (beginning with pulse) and an adjustable time range (0.1 s - 10 s), with push-in connection

Commercial data

Item number	2901492
Packing unit	1 pc
Minimum order quantity	1 pc
Note	Made to order (non-returnable)
Sales key	DK66ZZ
Product key	DK66ZZ
GTIN	4046356599771
Weight per piece (including packing)	66.2 g
Weight per piece (excluding packing)	50.9 g
Customs tariff number	85364900
Country of origin	DE

ETD-BL-1T-F-300MIN-PT - Timer relay



2901492

<https://www.phoenixcontact.com/gb/products/2901492>

Technical data

Product properties

Product type	Timer relay
Operating mode	100% operating factor
Mechanical service life	approx. 2×10^7 cycles

Insulation characteristics

Insulation	Basic insulation
Overvoltage category	III
Pollution degree	2

Electrical properties

Service life electrical	approx. 2×10^5 cycles at ohmic load, 1000 VA
Rated insulation voltage	300 V AC
Rated surge voltage	6 kV

Input data

Input voltage range	24 V DC (19.2 V DC ... 30 V DC)
Nominal current typ.	15 mA (Relay ON) 7 mA (Relay OFF)
Function	F: Flashing beginning with pulse
Setting range time	3 min ... 300 min
Setting accuracy	≤ 2.5 % (of scale end value)
Repeat accuracy	≤ 0.5 % (From the measuring range final value)

Control

Control pulse length	min. 50 ms
----------------------	------------

Output data

Switching

Contact switching type	1 floating changeover contact
Interrupting rating (ohmic load) max.	1125 VA (4.5 A/250 V AC, module mounted in rows, spacing ≤ 5 mm)
Output fuse	6.3 A (fast-blow)

Connection data

Connection method	Push-in connection
Stripping length	8 mm
Conductor cross-section rigid	0.14 mm ² ... 2.5 mm ²
Conductor cross-section flexible	0.14 mm ² ... 2.5 mm ²
Conductor cross-section AWG	26 ... 14

Signaling

Status display	Green LED (POWER)
----------------	-------------------

ETD-BL-1T-F-300MIN-PT - Timer relay



2901492

<https://www.phoenixcontact.com/gb/products/2901492>

	Yellow LED (relay active)
--	---------------------------

Dimensions

Width	6.2 mm
Height	80 mm
Depth	86 mm

Material specifications

Color	gray (RAL 7042)
Flammability rating according to UL 94	V0
Housing insulation material	Polyamide PA, self-extinguishing

Environmental and real-life conditions

Ambient conditions

Degree of protection	IP20
Ambient temperature (operation)	-20 °C ... 65 °C
Ambient temperature (storage/transport)	-25 °C ... 80 °C
Permissible humidity (operation)	15 % ... 85 %

Approvals

CE

Certificate	CE-compliant
-------------	--------------

UKCA

Certificate	UKCA-compliant
-------------	----------------

ATEX

Identification	⊕ II 3 G Ex nAC II T4 X
----------------	-------------------------

UL, USA/Canada

Identification	UL/C-UL Listed UL 508
----------------	-----------------------

EMC data

Electromagnetic compatibility	Conformance with EMC directive
Low Voltage Directive	Conformance with Low Voltage Directive
Noise immunity	EN 61000-6-2

Noise emission

Standards/regulations	EN 61000-6-4
-----------------------	--------------

Standards and regulations

Standards/regulations	EN 50178
-----------------------	----------

Mounting

Mounting type	DIN rail mounting
Assembly note	on standard DIN rail NS 35 in accordance with EN 60715

ETD-BL-1T-F-300MIN-PT - Timer relay



2901492

<https://www.phoenixcontact.com/gb/products/2901492>

Mounting position

any

ETD-BL-1T-F-300MIN-PT - Timer relay

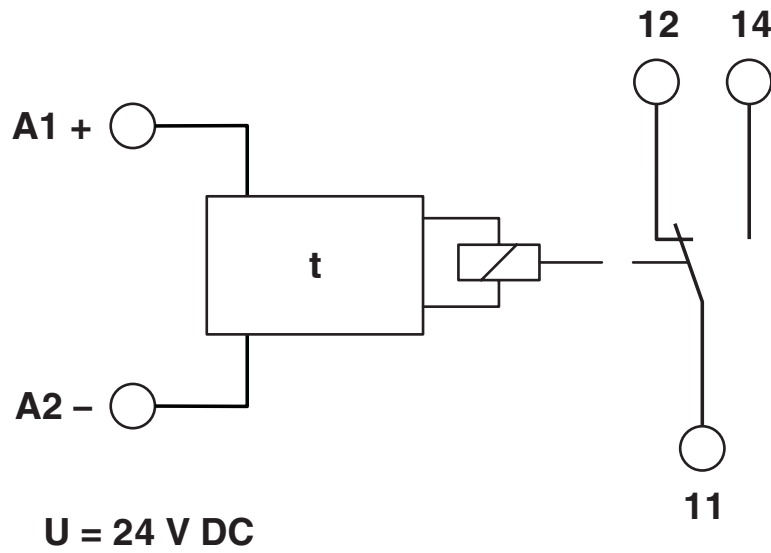
2901492

<https://www.phoenixcontact.com/gb/products/2901492>



Drawings

Block diagram



ETD-BL-1T-F-300MIN-PT - Timer relay



2901492

<https://www.phoenixcontact.com/gb/products/2901492>

Classifications

UNSPSC

UNSPSC 21.0	39122329
-------------	----------

ETD-BL-1T-F-300MIN-PT - Timer relay



2901492

<https://www.phoenixcontact.com/gb/products/2901492>

Environmental product compliance

EU RoHS

Fulfills EU RoHS substance requirements	Yes
Exemption	7(a), 7(c)-I

China RoHS

Environment friendly use period (EFUP)	EFUP-50
	An article-related China RoHS declaration table can be found in the download area for the respective article under "Manufacturer declaration". For all articles with EFUP-E, no China RoHS declaration table issued and required.

EU REACH SVHC

REACH candidate substance (CAS No.)	Lead(CAS: 7439-92-1)
-------------------------------------	----------------------

Phoenix Contact 2026 © - all rights reserved
<https://www.phoenixcontact.com>

PHOENIX CONTACT Ltd
Halesfield 13, Telford
Shropshire, TF7 4PG
01952 681700
info@phoenixcontact.co.uk