

ELR H5-I-SC- 24DC/500AC-0,6 - Hybrid motor starter



2900573

<https://www.phoenixcontact.com/gb/products/2900573>

Please be informed that the data shown in this PDF document is generated from our online catalog. Please find the complete data in the user documentation. Our general terms of use for downloads are valid.



Hybrid motor starter for reversing 3~ AC motors up to 500 V AC and 0.6 A output current, with 24 V DC control voltage, adjustable overload shutdown, and screw connection.

Your advantages

- 22.5 mm wide
- Low-wear switching
- Reduction in wiring
- Long service life
- Space saving
- 3-phase loop bridges
- Adjustable current for bimetal function

Commercial data

| | |
|--------------------------------------|--------------------------------|
| Item number | 2900573 |
| Packing unit | 1 pc |
| Minimum order quantity | 1 pc |
| Note | Made to order (non-returnable) |
| Sales key | DK7422 |
| Product key | DK7422 |
| GTIN | 4046356527859 |
| Weight per piece (including packing) | 254 g |
| Weight per piece (excluding packing) | 216.67 g |
| Customs tariff number | 85371098 |
| Country of origin | DE |

Technical data

Product properties

| | |
|----------------|-----------------------|
| Product type | Hybrid motor starters |
| Product family | CONTACTRON |
| Operating mode | 100% operating factor |

Electrical properties

| | |
|---|-------------------------|
| Number of phases | 3 |
| Motor starter type | Reversing starter |
| Switching frequency | ≤ 2 Hz (Load-dependent) |
| Maximum power dissipation for nominal condition | 0.4 W |
| Switching frequency | ≤ 2 Hz (Load-dependent) |
| Maximum power dissipation | 1.5 W |
| Minimum power dissipation | 1.1 W |
| Coordination type | 1 |

Supply

| | |
|--|-----------------------------|
| Rated control circuit supply voltage U_S | 24 V DC |
| Control supply voltage range | 19.2 V DC ... 30 V DC |
| Rated control supply current I_S | 40 mA |
| Protective circuit | Surge protection |
| | Reverse polarity protection |

Insulation characteristics

| | |
|--|--|
| Rated insulation voltage | 500 V |
| Rated surge voltage | 6 kV |
| Overvoltage category | III |
| Degree of pollution | 2 |
| Insulation characteristics between the control input and control supply voltage, and auxiliary circuit to the main circuit | Safe isolation (IEC 60947-1) at operating voltage ≤ 300 V AC (e. g., 230/400 V AC, 277/480 V AC) |
| | Basic insulation (IEC 60947-1) at operating voltage 300 V AC ... 500 V AC |
| Isolation characteristics between the control input and control supply voltage to auxiliary circuit | Safe isolation (IEC 60947-1) in the auxiliary circuit ≤ 300 V AC |

Input data

Control

| | |
|-------------------------------|--------------------------|
| Input name | Control input right/left |
| Rated actuating voltage U_C | 24 V DC |
| Triggering voltage range | 19.2 V DC ... 30 V DC |
| Rated actuating current I_C | 5 mA (Input type 1) |
| Switching threshold | 9.6 V ("0" signal) |
| | 19.2 V ("1" signal) |
| Typical turn-off time | < 30 ms |

ELR H5-I-SC- 24DC/500AC-0,6 - Hybrid motor starter



2900573

<https://www.phoenixcontact.com/gb/products/2900573>

| | |
|--------------------|-----------------------------|
| Protective circuit | Reverse polarity protection |
|--------------------|-----------------------------|

Output data

AC output

| | |
|---|------------------------------------|
| Rated operating voltage U_e | 500 V AC |
| Operating voltage range | 42 V AC ... 550 V AC |
| Rated operating current I_e | 0.6 A (AC-51) 0.6 A (AC-53a) |
| Mains frequency | 50/60 Hz |
| Load current range | 75 mA ... 600 mA (see to derating) |
| Trigger characteristic in acc. with IEC 60947-4-2 | Class 10A |
| Cooling time | 20 min (for auto reset) |
| Leakage current | 0 mA |
| Protective circuit | Surge protection |

Acknowledge output

| | |
|---|--|
| Note | Confirmation: floating change-over contact, signal contact |
| Contact switching type | 1 changeover contact |
| Switching capacity in accordance with IEC 60947-5-1 | 3 A (230 V, AC15) 2 A (24 V (DC13)) |

Connection data

Control circuits

| | |
|----------------------------------|--|
| Connection method | Screw connection |
| Stripping length | 8 mm |
| Screw thread | M3 |
| Conductor cross-section rigid | 0.2 mm ² ... 2.5 mm ² |
| Conductor cross-section flexible | 0.2 mm ² ... 2.5 mm ² |
| Conductor cross-section AWG | 24 ... 14 |
| Tightening torque | 0.5 Nm ... 0.6 Nm 5 lb _F -in. ... 7 lb _F -in. |

Load circuit

| | |
|----------------------------------|--|
| Connection method | Screw connection |
| Stripping length | 8 mm |
| Screw thread | M3 |
| Conductor cross-section rigid | 0.2 mm ² ... 2.5 mm ² |
| Conductor cross-section flexible | 0.2 mm ² ... 2.5 mm ² |
| Conductor cross-section AWG | 24 ... 14 |
| Tightening torque | 0.5 Nm ... 0.6 Nm 5 lb _F -in. ... 7 lb _F -in. |

Signaling

| | |
|----------------|--------------|
| Status display | LED (yellow) |
|----------------|--------------|

ELR H5-I-SC- 24DC/500AC-0,6 - Hybrid motor starter



2900573

<https://www.phoenixcontact.com/gb/products/2900573>

| | |
|---------------------------|-----------|
| Operating voltage display | Green LED |
| Error indication | Red LED |

Dimensions

| | |
|--------|---------|
| Width | 22.5 mm |
| Height | 107 mm |
| Depth | 114 mm |

Material specifications

| | |
|--|--------------|
| Flammability rating according to UL 94 (Housing) | V0 (Housing) |
|--|--------------|

Environmental and real-life conditions

Ambient conditions

| | |
|---|-------------------------------------|
| Degree of protection | IP20 |
| Ambient temperature (operation) | -25 °C ... 70 °C (observe derating) |
| Ambient temperature (storage/transport) | -40 °C ... 80 °C |
| Altitude | ≤ 2000 m |

Approvals

UL approval

| | |
|-------------|--------------|
| Certificate | NLDX.E228652 |
|-------------|--------------|

UL data

| | |
|--------------------|--|
| SCCR | 100 kA (500 V AC (fuse: 30 A class CC/30 A class J (high fault))) |
| | 5 kA (500 V AC (fuse: 20 A RK5 (standard fault))) |
| FLA | 0.6 A (500 V AC) |
| Group installation | 20 A (class RK5, SCCR 5kA, #24 - 14 AWG max. solid and stranded) |
| | 30 A (class CC or J, SCCR 100kA, #24 - 14 AWG max. solid and stranded) |
| Category code | NLDX / NRNT |

Standards and regulations

Standards/regulations

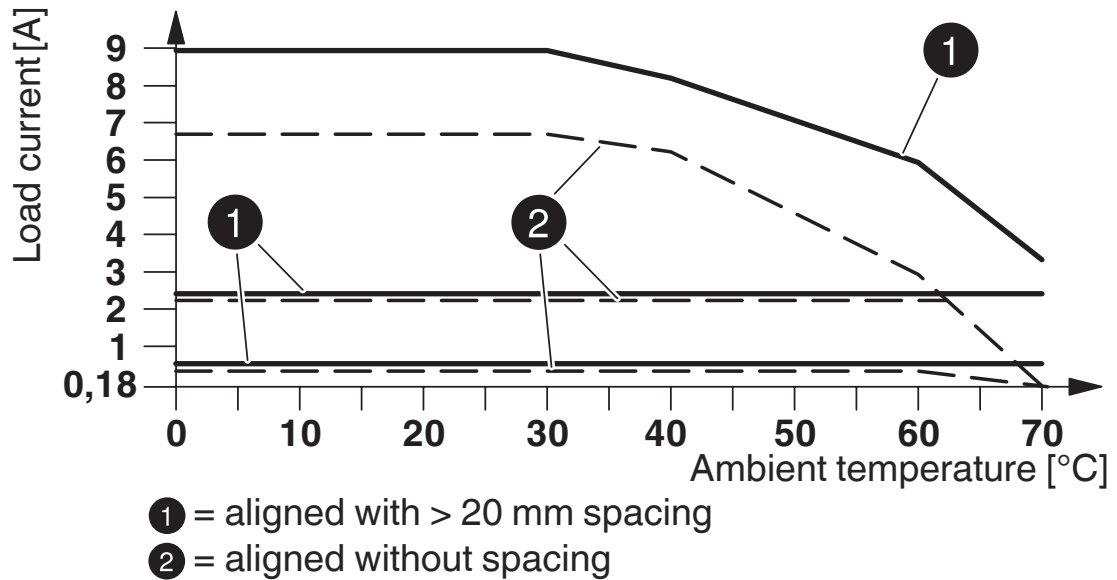
| | |
|-----------------------|---------------|
| Standards/regulations | IEC 60947-1 |
| | IEC 60947-4-2 |

Mounting

| | |
|-------------------|--|
| Mounting type | DIN rail mounting |
| Assembly note | alignable, for spacing see derating |
| Mounting position | vertical (horizontal DIN rail, motor output below) |

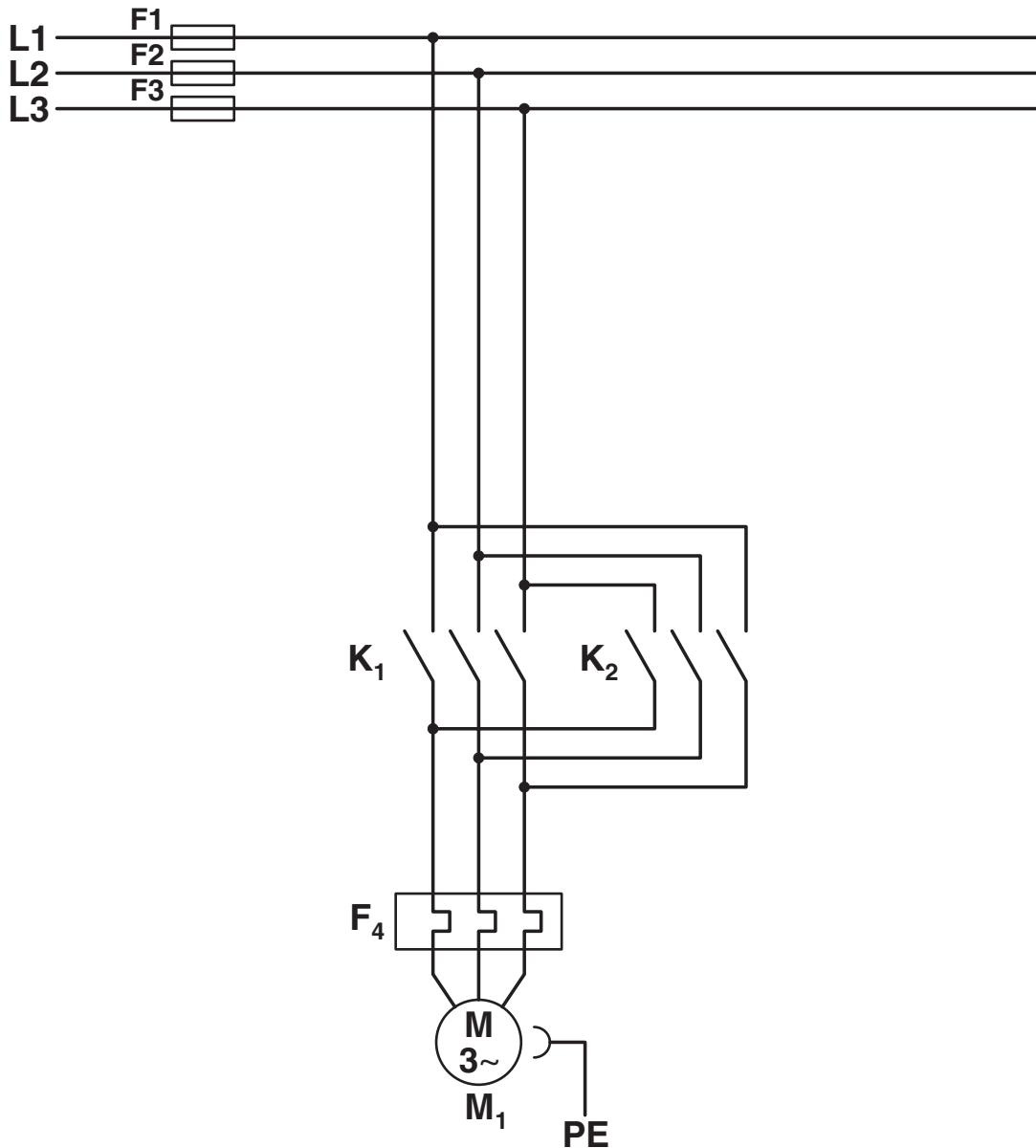
Drawings

Diagram



Derating diagram

Circuit diagram



Conventional structure

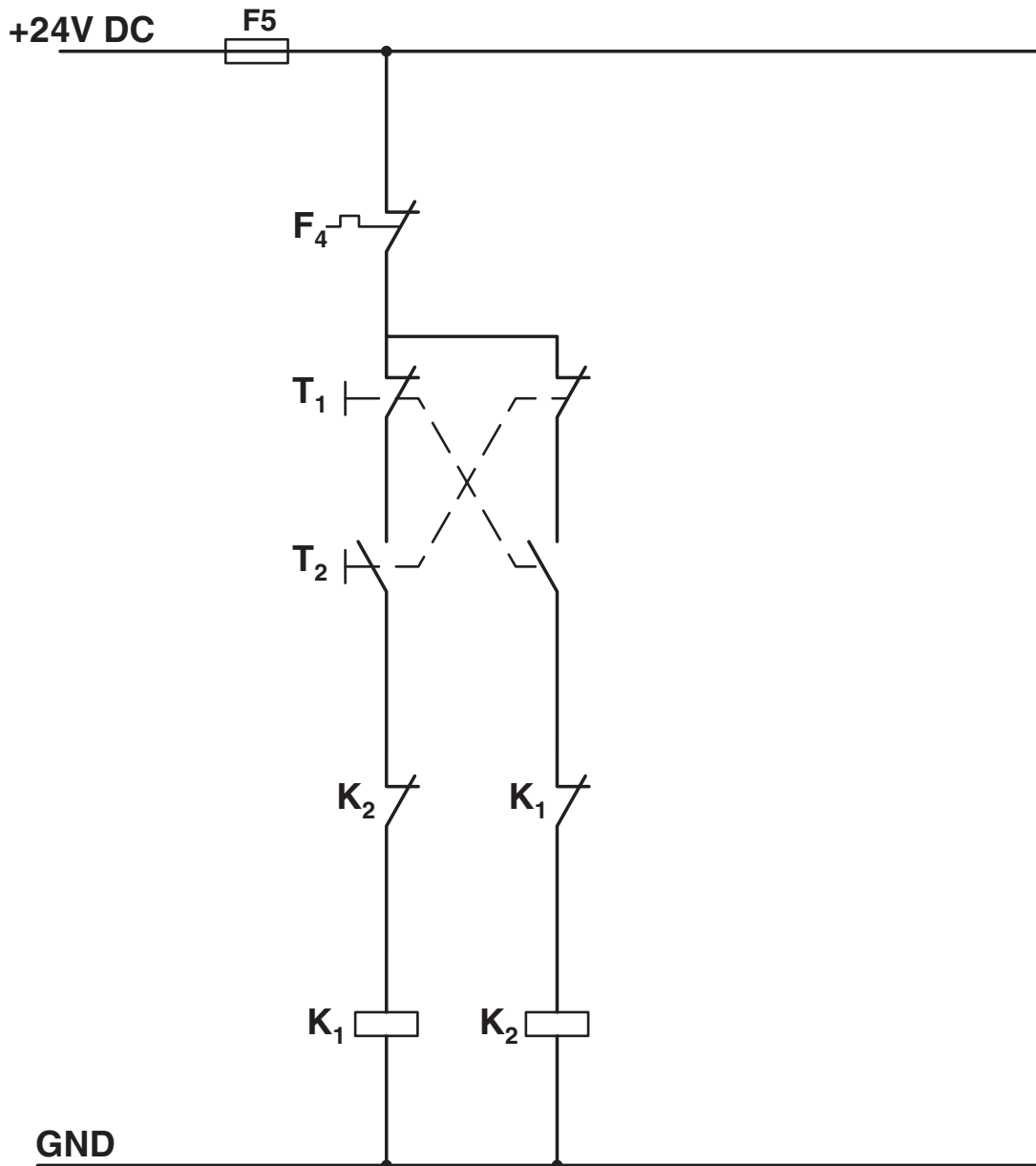
Main current path contactor

K1 = Left contactor

K2 = Right contactor

F4 = Motor protection relay

Circuit diagram



Conventional structure

Control current path contactor

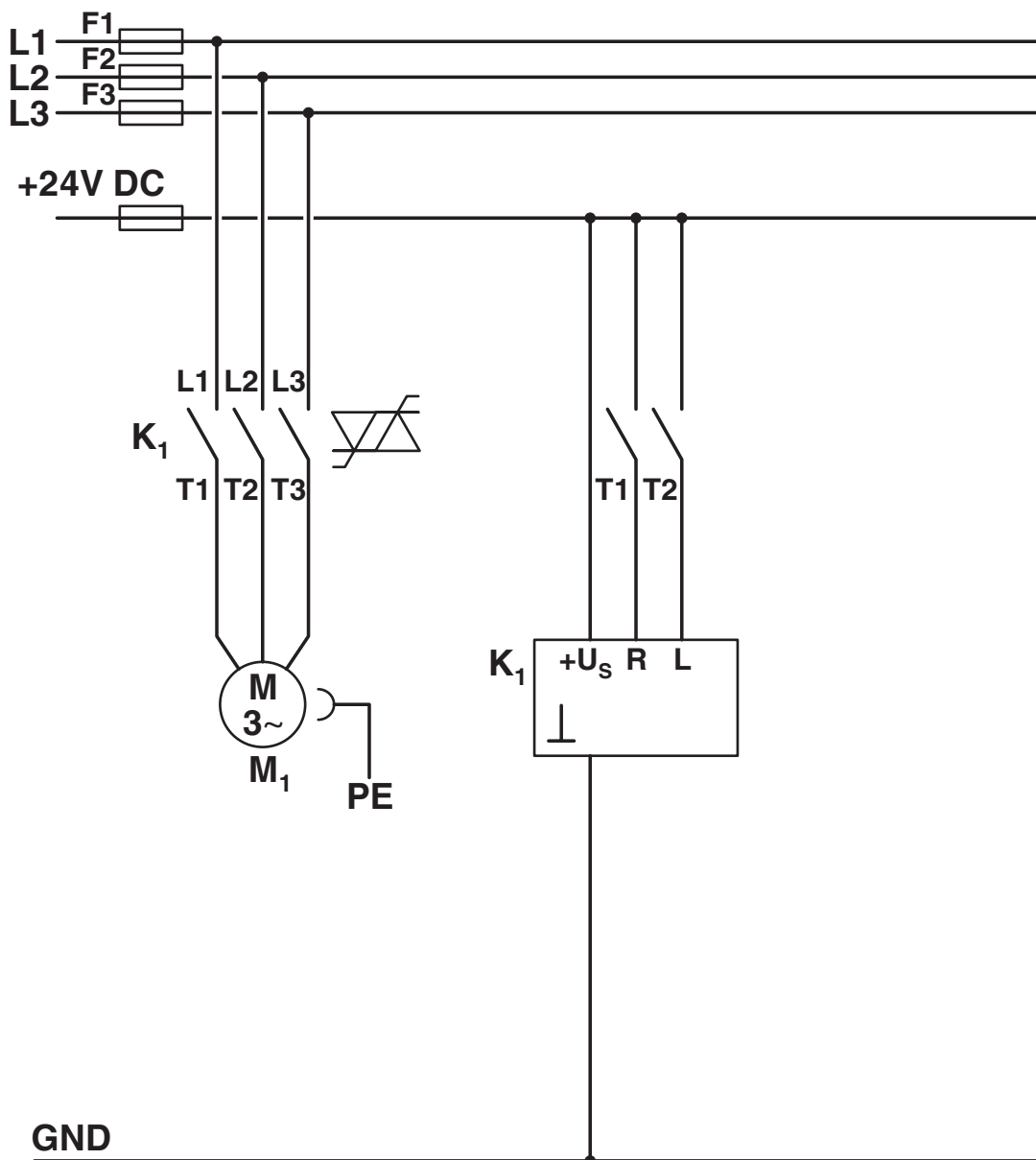
K1 = Left contactor

K2 = Right contactor

T1 = Left, T2 = Right

F4 = Motor protection relay

Circuit diagram

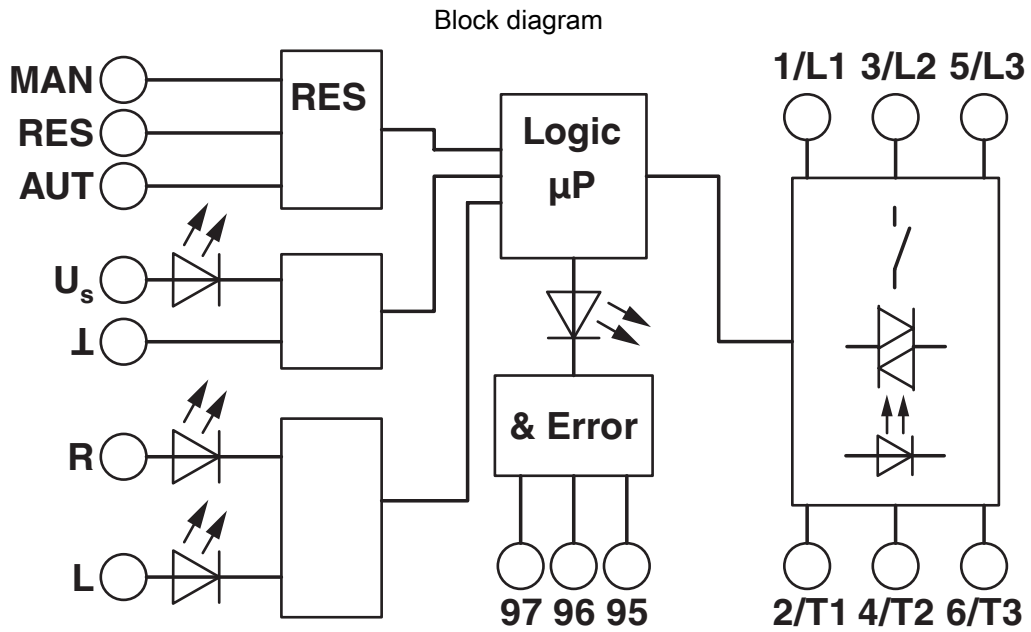


Structure with CONTACTRON

Main and control current path for '3 in 1' hybrid motor starter

K1 = '3 in 1' hybrid motor starter

T1 = Right, T2 = Left



2900573

<https://www.phoenixcontact.com/gb/products/2900573>

Approvals

To download certificates, visit the product detail page: <https://www.phoenixcontact.com/gb/products/2900573>



IECEE CB Scheme

Approval ID: DE1-55728



EAC

Approval ID: RU*C-DE.*08.B.00520*



UL Listed

Approval ID: FILE E 323771



CCC

Approval ID: 2016010304871315



cUL Listed

Approval ID: FILE E 323771



cUL Listed

Approval ID: E228652



UL Listed

Approval ID: E228652



CCC

Approval ID: 2024010304672817

2900573

<https://www.phoenixcontact.com/gb/products/2900573>

Classifications

ECLASS

| | |
|-------------|----------|
| ECLASS-13.0 | 27370905 |
| ECLASS-15.0 | 27370905 |

ETIM

| | |
|-----------|----------|
| ETIM 10.0 | EC001037 |
|-----------|----------|

UNSPSC

| | |
|-------------|----------|
| UNSPSC 21.0 | 25173900 |
|-------------|----------|

2900573

<https://www.phoenixcontact.com/gb/products/2900573>

Environmental product compliance

EU RoHS

| | |
|---|--------------|
| Fulfills EU RoHS substance requirements | Yes |
| Exemption | 7(a), 7(c)-I |

China RoHS

| | |
|--|---|
| Environment friendly use period (EFUP) | EFUP-50 |
| | An article-related China RoHS declaration table can be found in the download area for the respective article under "Manufacturer declaration". For all articles with EFUP-E, no China RoHS declaration table issued and required. |

EU REACH SVHC

| | |
|-------------------------------------|--|
| REACH candidate substance (CAS No.) | 1-Methyl-2-pyrrolidone (NMP)(CAS: 872-50-4) |
| | Lead(CAS: 7439-92-1) |
| | 2,2',6,6'-tetrabromo-4,4'-isopropylidenediphenol(CAS: 79-94-7) |
| SCIP | d5400700-65f2-489e-8097-7b85ae4efe89 |

Phoenix Contact 2026 © - all rights reserved
<https://www.phoenixcontact.com>

PHOENIX CONTACT Ltd
 Halesfield 13, Telford
 Shropshire, TF7 4PG
 01952 681700
info@phoenixcontact.co.uk