

# PLC-BPT- 24DC/ 1IC/ACT - Relay base



2900260

<https://www.phoenixcontact.com/gb/products/2900260>

Please be informed that the data shown in this PDF document is generated from our online catalog. Please find the complete data in the user documentation. Our general terms of use for downloads are valid.



14 mm PLC basic terminal block for high switch-on currents with push-in connection, without relay or solid-state relay, for mounting on DIN rail NS 35/7,5, with load return line connection (BB), 1 N/O contact, input voltage 24 V DC

## Commercial data

|                                      |                                |
|--------------------------------------|--------------------------------|
| Item number                          | 2900260                        |
| Packing unit                         | 10 pc                          |
| Minimum order quantity               | 10 pc                          |
| Note                                 | Made to order (non-returnable) |
| Sales key                            | DK62B1                         |
| Product key                          | DK62B1                         |
| GTIN                                 | 4046356512398                  |
| Weight per piece (including packing) | 56.71 g                        |
| Weight per piece (excluding packing) | 44.1 g                         |
| Customs tariff number                | 85366990                       |
| Country of origin                    | DE                             |

## Technical data

### Notes

|                    |   |
|--------------------|---|
| Notes on operation | Separating plate PLC-ATP must be installed for voltages larger than 250 V (L1, L2, L3) between identical terminal blocks in adjacent modules. Potential bridging is then carried out with FBST 8-PLC... or FBST 500.... |
| Notes on operation | The PLC-ATP separating plate should be installed for safe isolation between adjacent modules  |
| Assembly note      | The PLC-ATP separating plate is required at the start and end of every PLC terminal strip.  |
| Notes on operation | The system installer must ensure the touch protection of the product (at voltages > 25 V AC/60 V DC). The product is a built-in device without protection against direct contact.                                       |

### Utilization restriction

|          |   |
|----------|---|
| EMC note | EMC: class A product, see manufacturer's declaration in the download area |
|----------|---|

### Product properties

|                |                       |
|----------------|-----------------------|
| Product type   | Relay socket          |
| Product family | PLC-INTERFACE         |
| Application    | high inrush currents  |
| Operating mode | 100% operating factor |

### Insulation characteristics

|                      |                                       |
|----------------------|---------------------------------------|
| Insulation           | Safe isolation, reinforced insulation |
| Overvoltage category | III                                   |
| Pollution degree     | 3                                     |

### Electrical properties

|  |                                     |
|--|-------------------------------------|
| Test voltage relay winding/relay contact | 4 kV <sub>rms</sub> (50 Hz, 1 min.) |
| Rated insulation voltage                 | 250 V AC                            |
| Rated surge voltage                      | 6 kV                                |

### Input data

|                             |  |
|-----------------------------|--|
| Nominal input voltage $U_N$ | 24 V DC  |
|                             | The nominal voltage of the plug-on electromechanical relay or solid-state relay (see necessary accessories) deviates from the nominal input voltage of the base with integrated upstream circuit |
| Status display              | LED (yellow)   |
| Protective circuit          | Freewheeling diode   |
|                             | Polarity protection diode  |
| Nominal input voltage $U_N$ | 24 V DC  |
|                             | The nominal voltage of the plug-on electromechanical relay or solid-state relay (see necessary accessories) deviates from the nominal input voltage of the base with integrated upstream circuit |

# PLC-BPT- 24DC/ 1IC/ACT - Relay base



2900260

<https://www.phoenixcontact.com/gb/products/2900260>

## Connection data

|                                  |   |
|----------------------------------|---|
| Connection method                | Push-in connection  |
| Stripping length                 | 10 mm   |
| Conductor cross-section rigid    | 0.14 mm <sup>2</sup> ... 2.5 mm <sup>2</sup>  |
| Conductor cross-section flexible | 0.14 mm <sup>2</sup> ... 2.5 mm <sup>2</sup><br>0.2 mm <sup>2</sup> ... 2.5 mm <sup>2</sup> (Single ferrule)<br>2x 0.5 mm <sup>2</sup> ... 1 mm <sup>2</sup> (TWIN ferrule) |
| Conductor cross-section AWG      | 26 ... 14   |

## Dimensions

### Item dimensions

|        |       |
|--------|-------|
| Width  | 14 mm |
| Height | 80 mm |
| Depth  | 94 mm |

## Material specifications

|  |                 |
|--|-----------------|
| Color  | gray (RAL 7042) |
| Flammability rating according to UL 94 (Housing) | V0 (Housing)    |

## Environmental and real-life conditions

### Ambient conditions

|  |                                |
|--|--------------------------------|
| Degree of protection                         | IP20                           |
| Degree of protection (Installation location) | ≥ IP54 (Installation location) |
| Ambient temperature (operation)              | -40 °C ... 60 °C               |
| Ambient temperature (storage/transport)      | -40 °C ... 85 °C               |
| Altitude                                     | ≤ 2000 m                       |

## Approvals

### CE

|             |              |
|-------------|--------------|
| Certificate | CE-compliant |
|-------------|--------------|

### UKCA

|             |                |
|-------------|----------------|
| Certificate | UKCA-compliant |
|-------------|----------------|

### Shipbuilding approval

|             |            |
|-------------|------------|
| Certificate | TAE0000196 |
|-------------|------------|

### Corrosive gas test

|                |   |
|----------------|---|
| Identification | ISA-S71.04. G3 Harsh Group<br>EN 60068-2-60 |
|----------------|---|

### Shipbuilding data

|             |   |
|-------------|---|
| Temperature | D |
| Humidity    | A |

# PLC-BPT- 24DC/ 1IC/ACT - Relay base



2900260

<https://www.phoenixcontact.com/gb/products/2900260>

|           |   |
|-----------|---|
| Vibration | B/C   |
| EMC       | B   |
| Enclosure | Required protection according to the Rules shall be provided upon installation on board |

## EMC data

|                               |  |
|-------------------------------|--|
| Electromagnetic compatibility | Conformance with EMC directive         |
| Low Voltage Directive         | Conformance with Low Voltage Directive |

## Standards and regulations

|                       |                |
|-----------------------|----------------|
| Standards/regulations | EN 50178       |
|                       | EN 61810-1     |
|                       | IEC/EN 60664-1 |

## Mounting

|                   |                           |
|-------------------|---------------------------|
| Mounting type     | DIN rail mounting         |
| Assembly note     | in rows with zero spacing |
| Mounting position | any                       |

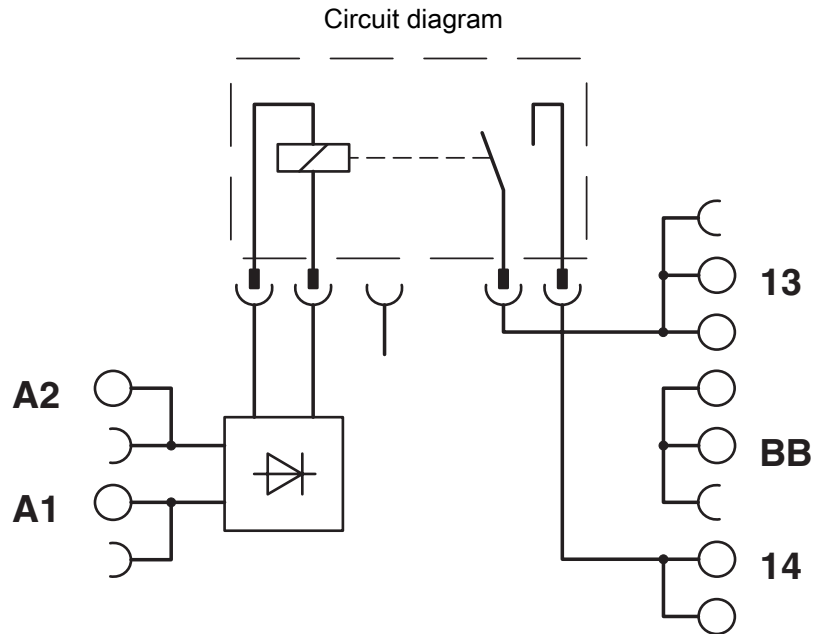
# PLC-BPT- 24DC/ 1IC/ACT - Relay base



2900260

<https://www.phoenixcontact.com/gb/products/2900260>

## Drawings



# PLC-BPT- 24DC/ 1IC/ACT - Relay base



2900260

<https://www.phoenixcontact.com/gb/products/2900260>

## Approvals

To download certificates, visit the product detail page: <https://www.phoenixcontact.com/gb/products/2900260>



**cUL Recognized**

Approval ID: E238705



**UL Recognized**

Approval ID: E238705



**EAC**

Approval ID: RU D-DE.B\*00573/18

**DNV**

Approval ID: TAE0000196

# PLC-BPT- 24DC/ 1IC/ACT - Relay base



2900260

<https://www.phoenixcontact.com/gb/products/2900260>

## Classifications

### ECLASS

|             |          |
|-------------|----------|
| ECLASS-13.0 | 27371603 |
| ECLASS-15.0 | 27371603 |

### ETIM

|           |          |
|-----------|----------|
| ETIM 10.0 | EC001456 |
|-----------|----------|

### UNSPSC

|             |          |
|-------------|----------|
| UNSPSC 21.0 | 39122300 |
|-------------|----------|

## Environmental product compliance

### EU RoHS

|   |              |
|---|--------------|
| Fulfills EU RoHS substance requirements | Yes          |
| Exemption                               | 7(a), 7(c)-I |

### China RoHS

|  |   |
|--|---|
| Environment friendly use period (EFUP) | EFUP-50   |
|  | An article-related China RoHS declaration table can be found in the download area for the respective article under "Manufacturer declaration". For all articles with EFUP-E, no China RoHS declaration table issued and required. |

### EU REACH SVHC

|                                     |   |
|-------------------------------------|---|
| REACH candidate substance (CAS No.) | Hexahydromethylphthalic anhydride(CAS: n/a) |
|                                     | Lead(CAS: 7439-92-1)                        |
| SCIP                                | 62957c3c-9e6e-462e-ab2b-b34ce7723cc7        |

### EF3.1 Climate Change

|         |               |
|---------|---------------|
| CO2e kg | 0.906 kg CO2e |
|---------|---------------|