

EMD-SL-LL-230 - Monitoring relay



2885906

<https://www.phoenixcontact.com/gb/products/2885906>

Please be informed that the data shown in this PDF document is generated from our online catalog. Please find the complete data in the user documentation. Our general terms of use for downloads are valid.



Monitoring relay for level monitoring of conductive fluids, minimum monitoring, maximum monitoring, 230 V AC supply voltage, 2 changeover contacts

Product description

Increasingly higher demands are being placed on safety and system availability - across all sectors. Processes are becoming more and more complex, not only in mechanical engineering and the chemical industry, but also in plant and automation technology. Demands on power engineering are also increasing constantly.

Error-free and therefore cost-effective operation can only be achieved through continuous monitoring of important network and system parameters. Electronic monitoring relays in the EMD series are available for a wide range of monitoring tasks to avoid the consequences of errors or to keep them within limits.

The operating states are indicated using colored LEDs, errors that may occur can be sent to a control system via a floating contact or can shut down a part of the system. Some device versions are equipped with startup and response delays in order to briefly tolerate measured values outside the set monitoring range.

Your advantages

- Short-circuit and open-circuit monitoring
- Test function with integrated test/reset button
- Variable supply voltage range

Commercial data

Item number	2885906
Packing unit	1 pc
Minimum order quantity	1 pc
Note	Made to order (non-returnable)
Sales key	DK6634
Product key	DK6634
GTIN	4046356144148
Weight per piece (including packing)	193 g
Weight per piece (excluding packing)	193 g
Customs tariff number	85364900
Country of origin	AT

EMD-SL-LL-230 - Monitoring relay



2885906

<https://www.phoenixcontact.com/gb/products/2885906>

Technical data

Product properties

Product type	Level monitoring relay
Number (Inputs)	3
Operating mode	100% operating factor
Mechanical service life	approx. 2×10^7 cycles

Insulation characteristics

Insulation	Basic insulation
Overvoltage category	III
Pollution degree	2

Electrical properties

Service life electrical	2×10^5 cycles at ohmic load, 1000 VA
Mains type	1-phase
Rated insulation voltage	300 V

Supply

Supply voltage	230 V AC -15 % ... +15 % AC
Supply voltage range	195.5 V AC ... 264.5 V AC
Nominal power consumption	2 VA (1.5 W)

Input data

Input name	Measuring input
Description of the input	Conductive probe, type: SK1, SK2, SK3
Frequency range	48 Hz ... 63 kHz
Typical response time	0.5 s ... 10 s
Function	Pump up (minimum monitoring) Pump down (maximum monitoring) Variable sensitivity
Recovery time	500 ms
Max. probe voltage	16 V AC
Max. probe current	7 mA
Length of probe cable	< 1000 m (Line capacity 100 nF/km; set value < 50%) < 100 m (Line capacity 100 nF/km; set value 100%)
Switching Threshold	0.25 k Ω ... 100 k Ω (4 mS ... 1 μ S)

Output data

Switching

Contact switching type	2 floating changeover contacts
Maximum switching voltage	250 V AC (in acc. with IEC 60664-1)
Interrupting rating (ohmic load) max.	750 VA (3 A/250 V AC, module aligned, \leq 5 mm spacing) 1250 VA (5 A/250 V AC, module not aligned, \geq 5 mm spacing)

EMD-SL-LL-230 - Monitoring relay



2885906

<https://www.phoenixcontact.com/gb/products/2885906>

Output fuse	5 A (fast-blow)
-------------	-----------------

Connection data

Connection method	Screw connection
Stripping length	8 mm
Conductor cross-section rigid	0.5 mm ² ... 2.5 mm ²
Conductor cross-section flexible	0.25 mm ² ... 2.5 mm ²
Conductor cross-section AWG	20 ... 14

Dimensions

Width	22.5 mm
Height	90 mm
Depth	113 mm

Material specifications

Color	green (RAL 6021)
Housing insulation material	Polyamide PA, self-extinguishing

Environmental and real-life conditions

Ambient conditions

Degree of protection (Housing)	IP40 (Housing)
Degree of protection (Connection terminal blocks)	IP20 (Connection terminal blocks)
Ambient temperature (operation)	-25 °C ... 55 °C -25 °C ... 40 °C (corresponds to UL 508)
Ambient temperature (storage/transport)	-25 °C ... 70 °C
Climatic class	3K3 (in acc. with EN 60721)
Permissible humidity (operation)	15 % ... 85 %

Approvals

CE

Certificate	CE-compliant
-------------	--------------

UL, USA/Canada

Identification	UL/C-UL Listed UL 508
----------------	-----------------------

EMC data

Electromagnetic compatibility	Conformance with EMC directive
Low Voltage Directive	Conformance with Low Voltage Directive
Noise immunity	EN 61000-6-2

Noise emission

Standards/regulations	EN 61000-6-3
-----------------------	--------------

Standards and regulations

Standards/regulations	EN 50178
-----------------------	----------

EMD-SL-LL-230 - Monitoring relay



2885906

<https://www.phoenixcontact.com/gb/products/2885906>

Mounting

Mounting type	DIN rail mounting
Assembly note	on standard DIN rail NS 35 in accordance with EN 60715
Mounting position	any

EMD-SL-LL-230 - Monitoring relay

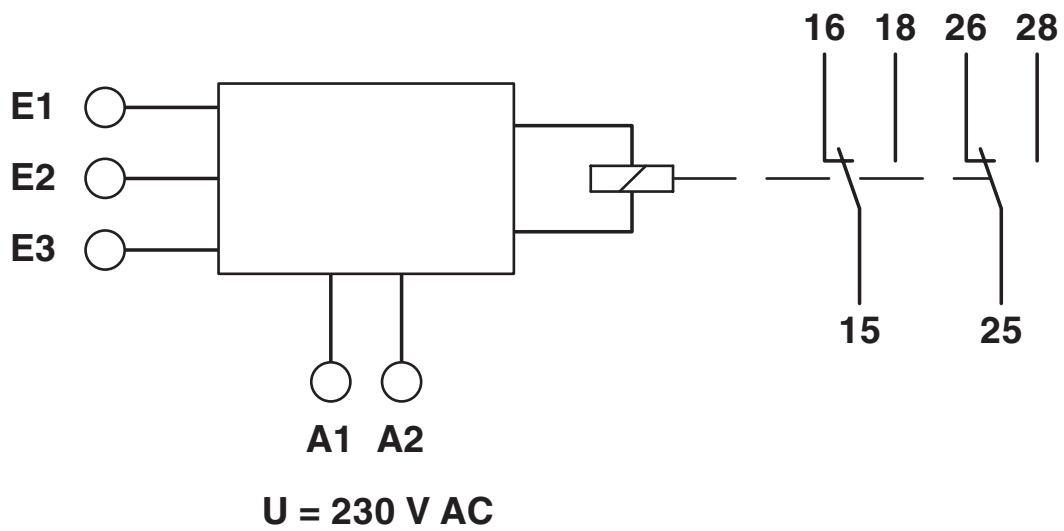
2885906

<https://www.phoenixcontact.com/gb/products/2885906>



Drawings

Block diagram



EMD-SL-LL-230 - Monitoring relay



2885906

<https://www.phoenixcontact.com/gb/products/2885906>

Classifications

ECLASS

ECLASS-13.0	27371813
ECLASS-15.0	27371813

ETIM

ETIM 10.0	EC011206
-----------	----------

UNSPSC

UNSPSC 21.0	39121100
-------------	----------

EMD-SL-LL-230 - Monitoring relay



2885906

<https://www.phoenixcontact.com/gb/products/2885906>

Environmental product compliance

EU RoHS

Fulfills EU RoHS substance requirements	Yes, No exemptions
---	--------------------

China RoHS

Environment friendly use period (EFUP)	EFUP-E
	No hazardous substances above the limits

EU REACH SVHC

REACH candidate substance (CAS No.)	No substance above 0.1 wt%
-------------------------------------	----------------------------

Phoenix Contact 2026 © - all rights reserved
<https://www.phoenixcontact.com>

PHOENIX CONTACT Ltd
Halesfield 13, Telford
Shropshire, TF7 4PG
01952 681700
info@phoenixcontact.co.uk