

# QUINT-DC-UPS/24DC/40 - Uninterruptible power supply



2866242

<https://www.phoenixcontact.com/gb/products/2866242>

Please be informed that the data shown in this PDF document is generated from our online catalog. Please find the complete data in the user documentation. Our general terms of use for downloads are valid.



Uninterruptible power supply 24 V/40 A. In the download area, there is a clearly arranged selection table available with load currents and buffer times, as well as charging times after buffer mode.

## Commercial data

Item number	2866242
Packing unit	1 pc
Minimum order quantity	1 pc
Sales key	CMUP43
Product key	CMUP43
GTIN	4017918959715
Weight per piece (including packing)	1,042.8 g
Weight per piece (excluding packing)	900 g
Customs tariff number	85371091
Country of origin	CN

# QUINT-DC-UPS/24DC/40 - Uninterruptible power supply



2866242

<https://www.phoenixcontact.com/gb/products/2866242>

## Technical data

### Input data

#### DC operation

Input voltage	24 V DC
Input voltage range	22.5 V DC ... 30 V DC
Wide-range input	no
Input voltage range DC	22.5 V DC ... 30 V DC
Voltage type of supply voltage	DC
Buffer period	5 min (40 A) 9 min (40 A)
Current consumption	approx. 0.1 A 2.5 A (charging process) 42.5 A (max.)
Fixed backup threshold	< 22 V DC
Variable connect threshold	$(U_{IN} - 1 \text{ V})/0.1 \text{ s}$
Input fuse	50 A (slow-blow, internal)

### Output data

Efficiency	> 98 %
Nominal output voltage	24 V DC (Normal operation: $U_{in} - 0.5 \text{ V DC}$ , buffer mode: 27.9 to 19.2 V DC)
Nominal output current ( $I_N$ )	40 A
Bridging time	9 min
Output power	960 W
Power dissipation	20 W 30 W
Connection in parallel	yes, for increasing the buffer period
Connection in series	yes

#### Mains operation

Nominal output voltage	24 V DC
Nominal output current ( $I_N$ )	40 A

#### Battery operation

Nominal output voltage	24 V DC
Nominal output current ( $I_N$ )	40 A

#### Signal

Output description	Power OK
--------------------	----------

#### Signal: floating

Output description	Alarm
Maximum switching voltage	$\leq 30 \text{ V AC/DC}$
Continuous load current	$\leq 1 \text{ A}$

# QUINT-DC-UPS/24DC/40 - Uninterruptible power supply



2866242

<https://www.phoenixcontact.com/gb/products/2866242>

Signal: floating

Output description	Battery Charge
Maximum switching voltage	≤ 30 V AC/DC
Continuous load current	≤ 1 A

Signal: floating

Output description	Battery Mode
Maximum switching voltage	≤ 30 V AC/DC
Continuous load current	≤ 1 A

## Energy storage

Nominal capacity range	3.4 Ah ... 12 Ah
Battery module service life	6 Years (20 °C)
Latest startup date (battery only)	9 Months (20 °C ... 30 °C)
	6 Months (30 °C ... 40 °C)
Memory medium	external, battery 3.4 Ah / 7.2 Ah / 12 Ah
Network management	Yes

## Connection data

Input

Connection method	Screw connection
Conductor cross-section, rigid min.	0.5 mm <sup>2</sup>
Conductor cross-section, rigid max.	16 mm <sup>2</sup>
Conductor cross-section flexible min.	0.5 mm <sup>2</sup>
Conductor cross-section flexible max.	10 mm <sup>2</sup>
Conductor cross-section AWG min.	20
Conductor cross-section AWG max.	6
Stripping length	10 mm
Screw thread	M4

Output

Connection method	Screw connection
Conductor cross-section, rigid min.	0.5 mm <sup>2</sup>
Conductor cross-section, rigid max.	16 mm <sup>2</sup>
Conductor cross-section flexible min.	0.5 mm <sup>2</sup>
Conductor cross-section flexible max.	10 mm <sup>2</sup>
Conductor cross-section AWG min.	20
Conductor cross-section AWG max.	6
Stripping length	10 mm
Screw thread	M4

Signal

Conductor cross-section, rigid min.	0.2 mm <sup>2</sup>
Conductor cross-section, rigid max.	4 mm <sup>2</sup>

# QUINT-DC-UPS/24DC/40 - Uninterruptible power supply



2866242

<https://www.phoenixcontact.com/gb/products/2866242>

Conductor cross-section flexible min.	0.2 mm <sup>2</sup>
Conductor cross-section flexible max.	2.5 mm <sup>2</sup>
Conductor cross-section AWG min.	24
Conductor cross-section AWG max.	12
Screw thread	M3
Tightening torque, min	0.5 Nm
Tightening torque max	0.6 Nm

## Signaling

Types of signaling	LED
Operating voltage display	Green LED

### Signal output

Status display	LED "Power OK" green
Note on status display	Power OK: LED permanently lit

### Signal output: floating

Status display	LED (red)
Note on status display	Alarm: LED permanently lit

### Signal output: floating

Status display	LED flashing yellow
Note on status display	Battery charge: LED flashing

### Signal output: floating

Status display	LED (yellow)
Note on status display	Battery mode: LED permanently lit

## Electrical properties

Insulation voltage input/output	2 kV (routine test)
	4 kV (type test)

## Product properties

Product type	DC UPS
Product family	QUINT DC UPS
MTBF (IEC 61709, SN 29500)	> 500000 h

### Insulation characteristics

Protection class	II (in closed control cabinet)
------------------	--------------------------------

## Dimensions

Width	66 mm
Height	130 mm
Depth	125 mm

### Installation dimensions

Installation distance right/left	5 mm / 5 mm
----------------------------------	-------------

# QUINT-DC-UPS/24DC/40 - Uninterruptible power supply



2866242

<https://www.phoenixcontact.com/gb/products/2866242>

Installation distance top/bottom	50 mm / 50 mm
----------------------------------	---------------

## Alternative assembly

Width	122 mm
Height	130 mm
Depth	69 mm

## Mounting

Mounting type	DIN rail mounting
Assembly note	alignable: horizontally 0 mm, vertically 50 mm
Mounting position	horizontal DIN rail NS 35, EN 60715

## Material specifications

Housing material	Metal
Type of housing	AluNox (AlMg1)

## Environmental and real-life conditions

### Ambient conditions

Degree of protection	IP20
Ambient temperature (operation)	-25 °C ... 70 °C
Ambient temperature (storage/transport)	-40 °C ... 85 °C
Max. permissible relative humidity (operation)	95 % (at 25 °C, non-condensing)

## Standards and regulations

Standard – Electronic equipment for use in electrical power installations and their assembly into electrical power installations	EN 50178/VDE 0160 (PELV)
Standard - Electrical safety	EN 60950-1/VDE 0805 (SELV)
	EN 61558-2-17
Standard - Safe isolation	DIN VDE 0100-410
Standard - Safety of transformers	EN 61558-2-17

## Approvals

Shipbuilding approval	DNV GL (EMC A), ABS
UL approvals	UL/C-UL listed UL 508
	UL/C-UL Recognized UL 60950-1

## EMC data

Electromagnetic compatibility	Conformance with EMC Directive 2014/30/EU
Low Voltage Directive	Conformance with Low Voltage Directive 2014/35/EC
Noise immunity	EN 61000-6-2:2005

### Noise emission

Standards/regulations	EN 55011 (EN 55022)
-----------------------	---------------------

# QUINT-DC-UPS/24DC/40 - Uninterruptible power supply

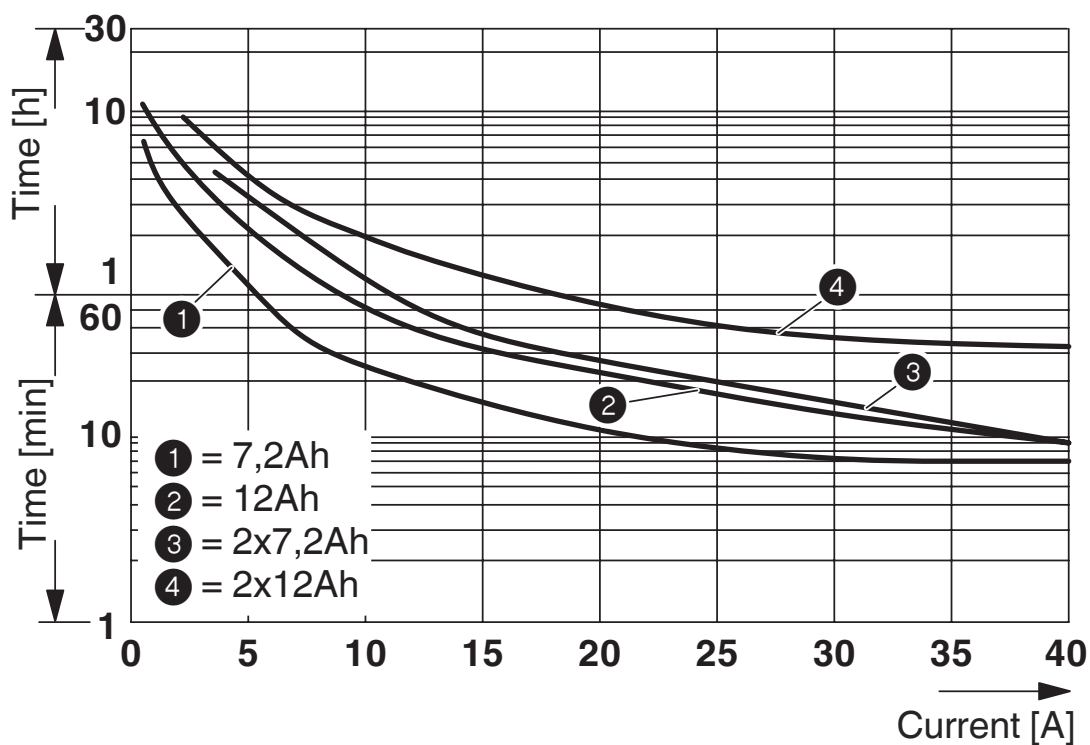


2866242

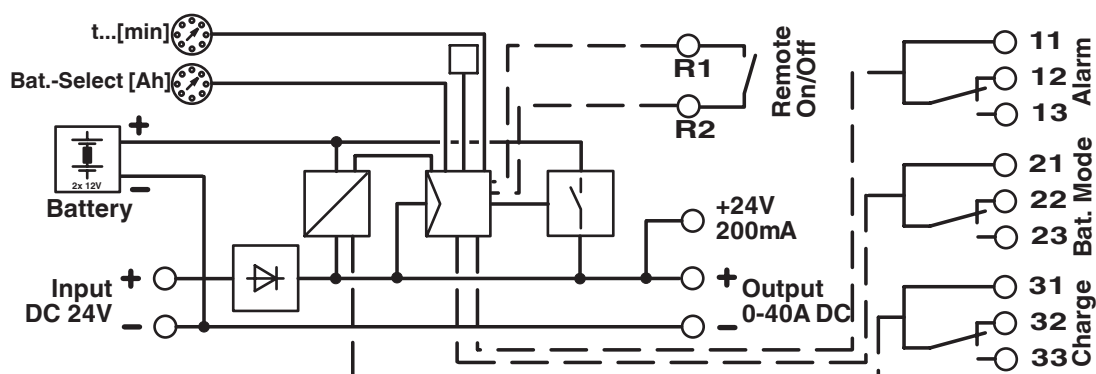
<https://www.phoenixcontact.com/gb/products/2866242>

## Drawings

Diagram



Block diagram



# QUINT-DC-UPS/24DC/40 - Uninterruptible power supply



2866242

<https://www.phoenixcontact.com/gb/products/2866242>

## Classifications

### UNSPSC

UNSPSC 21.0	39121011
-------------	----------

# QUINT-DC-UPS/24DC/40 - Uninterruptible power supply



2866242

<https://www.phoenixcontact.com/gb/products/2866242>

## Environmental product compliance

### EU RoHS

Fulfills EU RoHS substance requirements	Yes
Exemption	7(a), 7(c)-I

### China RoHS

Environment friendly use period (EFUP)	EFUP-25
	An article-related China RoHS declaration table can be found in the download area for the respective article under "Manufacturer declaration". For all articles with EFUP-E, no China RoHS declaration table issued and required.

### EU REACH SVHC

REACH candidate substance (CAS No.)	Lead(CAS: 7439-92-1)
-------------------------------------	----------------------

Phoenix Contact 2026 © - all rights reserved  
<https://www.phoenixcontact.com>

PHOENIX CONTACT Ltd  
Halesfield 13, Telford  
Shropshire, TF7 4PG  
01952 681700  
[info@phoenixcontact.co.uk](mailto:info@phoenixcontact.co.uk)