

# EMD-SL-V-UV-300 - Monitoring relay



2866035

<https://www.phoenixcontact.com/gb/products/2866035>

Please be informed that the data shown in this PDF document is generated from our online catalog. Please find the complete data in the user documentation. Our general terms of use for downloads are valid.



Monitoring relay for monitoring 1-phase voltages of 0...300 V AC/DC, undervoltage, supply voltage can be selected via power module, 1 changeover contact

## Product description

Increasingly higher demands are being placed on safety and system availability - across all sectors. Processes are becoming more and more complex, not only in mechanical engineering and the chemical industry, but also in plant and automation technology. Demands on power engineering are also increasing constantly.

Error-free and therefore cost-effective operation can only be achieved through continuous monitoring of important network and system parameters. Electronic monitoring relays in the EMD series are available for a wide range of monitoring tasks to avoid the consequences of errors or to keep them within limits.

The operating states are indicated using colored LEDs, errors that may occur can be sent to a control system via a floating contact or can shut down a part of the system. Some device versions are equipped with startup and response delays in order to briefly tolerate measured values outside the set monitoring range.

## Your advantages

- Adjustable via potentiometer on the front
- Variable supply voltage range
- Separately adjustable startup and response delays

## Commercial data

Item number	2866035
Packing unit	1 pc
Minimum order quantity	1 pc
Note	Made to order (non-returnable)
Sales key	DK6631
Product key	DK6631
GTIN	4017918924331
Weight per piece (including packing)	134.2 g
Weight per piece (excluding packing)	132.3 g
Customs tariff number	85364900
Country of origin	AT

## Technical data

### Product properties

Product type	Voltage monitoring relay
Operating mode	100% operating factor
Mechanical service life	approx. $2 \times 10^7$ cycles

### Insulation characteristics

Insulation	Basic insulation
Overvoltage category	III
Pollution degree	2

### Electrical properties

Service life electrical	$2 \times 10^5$ cycles at ohmic load, 1000 VA
Mains type	1-phase
Rated insulation voltage	300 V
Rated surge voltage	4 kV

### Supply

Supply voltage range	24 V AC ... 230 V AC (see Power modules)
	24 V DC (see Power modules)
Nominal power consumption	2 VA (1.5 W)

### Input data

Input name	Measuring input
Measured value	DC, AC sine (48 Hz ... 63 Hz)
Protection	$\leq 20$ A
Input voltage range	0 V ... 30 V AC/DC (Connection terminal blocks: U1 and GND)
	0 V ... 60 V AC/DC (Connection terminal blocks: U2 and GND)
	0 V ... 300 V AC/DC (Connection terminal blocks: U3 and GND)
Maximum input voltage	$100 V_{\text{rms}}$ (Connection terminal blocks: U1 and GND)
	$150 V_{\text{rms}}$ (Connection terminal blocks: U2 and GND)
	$440 V_{\text{rms}}$ (Connection terminal blocks: U3 and GND)
Input resistance of voltage input	47 k $\Omega$ (Connection terminal blocks: U1 and GND)
	100 k $\Omega$ (Connection terminal blocks: U2 and GND)
	470 k $\Omega$ (Connection terminal blocks: U3 and GND)
Frequency range	50 Hz ... 60 Hz
Maximum temperature coefficient	$< 0.1$ %/K
Setting range for response delay	0.2 s ... 10 s
Min. setting range	5 % ... 95 % (From $U_N$ )
Max. setting range	10 % ... 100 % (From $U_N$ )
Function	Undervoltage
Basic accuracy	$\pm 5$ % (of scale end value)
Setting accuracy	$\leq 5$ % (of scale end value)

# EMD-SL-V-UV-300 - Monitoring relay



2866035

<https://www.phoenixcontact.com/gb/products/2866035>

Repeat accuracy	≤ 2 %
Recovery time	500 ms

## Output data

### Switching

Contact switching type	1 floating changeover contact
Maximum switching voltage	250 V AC (in acc. with IEC 60664-1)
Interrupting rating (ohmic load) max.	750 VA (3 A/250 V AC, module aligned, ≤ 5 mm spacing) 1250 VA (5 A/250 V AC, module not aligned, ≥ 5 mm spacing)
Output fuse	5 A (fast-blow)

## Connection data

Connection method	Screw connection
Stripping length	8 mm
Conductor cross-section rigid	0.5 mm <sup>2</sup> ... 2.5 mm <sup>2</sup>
Conductor cross-section flexible	0.25 mm <sup>2</sup> ... 2.5 mm <sup>2</sup>
Conductor cross-section AWG	20 ... 14

## Dimensions

Width	22.5 mm
Height	90 mm
Depth	113 mm

## Material specifications

Color	green (RAL 6021)
Housing insulation material	Polyamide PA, self-extinguishing

## Environmental and real-life conditions

### Ambient conditions

Degree of protection (Housing)	IP40 (Housing)
Degree of protection (Connection terminal blocks)	IP20 (Connection terminal blocks)
Ambient temperature (operation)	-25 °C ... 55 °C -25 °C ... 40 °C (corresponds to UL 508)
Ambient temperature (storage/transport)	-25 °C ... 70 °C
Climatic class	3K3 (in acc. with EN 60721)
Permissible humidity (operation)	15 % ... 85 %

## Approvals

### CE

Certificate	CE-compliant
-------------	--------------

### UL, USA/Canada

Identification	UL/C-UL Listed UL 508
----------------	-----------------------

# EMD-SL-V-UV-300 - Monitoring relay



2866035

<https://www.phoenixcontact.com/gb/products/2866035>

## EMC data

Electromagnetic compatibility	Conformance with EMC directive
Low Voltage Directive	Conformance with Low Voltage Directive
Noise immunity	EN 61000-6-2

## Noise emission

Standards/regulations	EN 61000-6-3
-----------------------	--------------

## Standards and regulations

Standards/regulations	EN 50178
-----------------------	----------

## Mounting

Mounting type	DIN rail mounting
Assembly note	on standard DIN rail NS 35 in accordance with EN 60715
Mounting position	any

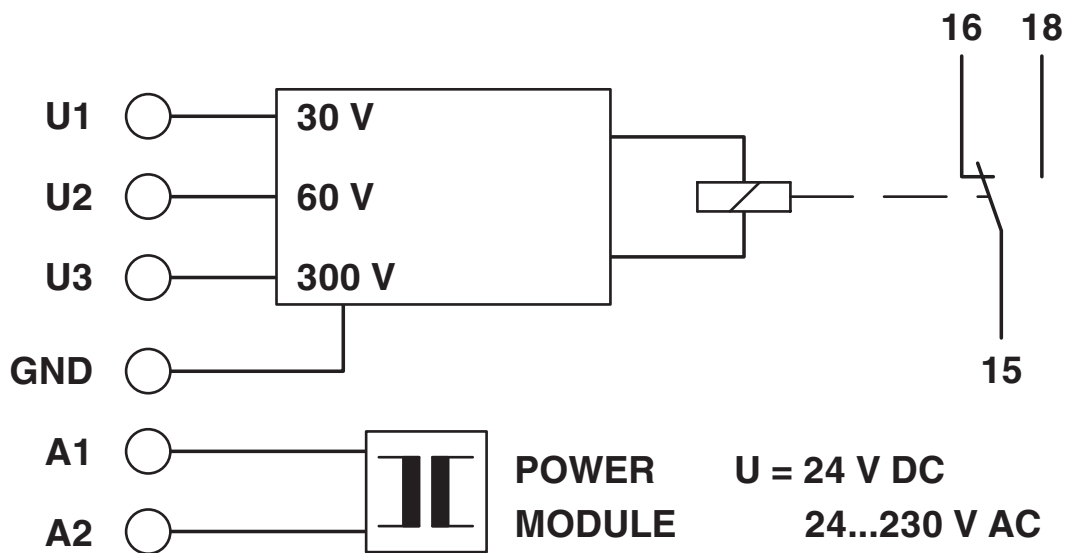
# EMD-SL-V-UV-300 - Monitoring relay

2866035

<https://www.phoenixcontact.com/gb/products/2866035>

## Drawings

Block diagram



# EMD-SL-V-UV-300 - Monitoring relay



2866035

<https://www.phoenixcontact.com/gb/products/2866035>

## Classifications

### ECLASS

ECLASS-13.0	27371801
ECLASS-15.0	27371801

### ETIM

ETIM 10.0	EC001438
-----------	----------

### UNSPSC

UNSPSC 21.0	41113600
-------------	----------

# EMD-SL-V-UV-300 - Monitoring relay



2866035

<https://www.phoenixcontact.com/gb/products/2866035>

## Environmental product compliance

### EU RoHS

Fulfills EU RoHS substance requirements	Yes, No exemptions
---	--------------------

### China RoHS

Environment friendly use period (EFUP)	EFUP-E
	No hazardous substances above the limits

### EU REACH SVHC

REACH candidate substance (CAS No.)	No substance above 0.1 wt%
-------------------------------------	----------------------------

Phoenix Contact 2026 © - all rights reserved  
<https://www.phoenixcontact.com>

PHOENIX CONTACT Ltd  
Halesfield 13, Telford  
Shropshire, TF7 4PG  
01952 681700  
[info@phoenixcontact.co.uk](mailto:info@phoenixcontact.co.uk)