

# MACX MCR-SL-IDS-I - Output signal conditioner



2865971

<https://www.phoenixcontact.com/gb/products/2865971>

Please be informed that the data shown in this PDF document is generated from our online catalog. Please find the complete data in the user documentation. Our general terms of use for downloads are valid.



Output signal conditioner, HART. Isolates and transmits 0/4 - 20 mA signals to a load (I/P converters, regulating valves, displays). Open-circuit detection, SIL 2 in accordance with IEC 61508, screw connection. Replacement item: 2908063 MACX MCR-IDS-I-I.

## Your advantages

- Power supply possible via DIN rail connector
- Up to SIL 2 in accordance with EN 61508
- Installation in zone 2, protection type "n" (EN 60079-15) permitted
- Line fault detection (LFD)
- 3-way electrical isolation
- Plug-in screw or spring-cage connection technology (Push-in technology), with integrated sockets for HART communicators
- Bidirectional transmission of digital HART communication signals
- Input: 0/4 mA ... 20 mA
- Output: 0/4 mA ... 20 mA

## Commercial data

|                                      |                                |
|--------------------------------------|--------------------------------|
| Item number                          | 2865971                        |
| Packing unit                         | 1 pc                           |
| Minimum order quantity               | 1 pc                           |
| Note                                 | Made to order (non-returnable) |
| Sales key                            | DK1112                         |
| Product key                          | DK1112                         |
| GTIN                                 | 4046356449540                  |
| Weight per piece (including packing) | 175.2 g                        |
| Weight per piece (excluding packing) | 140.9 g                        |
| Customs tariff number                | 85437090                       |
| Country of origin                    | DE                             |

# MACX MCR-SL-IDS-I - Output signal conditioner



2865971

<https://www.phoenixcontact.com/gb/products/2865971>

## Technical data

### Product properties

|                 |                           |
|-----------------|---------------------------|
| Product type    | Output signal conditioner |
| Application     | Analog OUT                |
| No. of channels | 1                         |

### Insulation characteristics

|                      |    |
|----------------------|----|
| Overvoltage category | II |
| Pollution degree     | 2  |

### Electrical properties

|   |   |
|---|---|
| Electrical isolation between input and output | yes                                     |
| Signal transmission behavior                  | In = Out                                |
| Step response (10-90%)                        | < 140 $\mu$ s (for 4 mA ... 20 mA step) |
| Maximum temperature coefficient               | < 0.01 %/K                              |
| Maximum transmission error                    | < 0.1 % (of final value)                |
| Transmission error, typical                   | < 0.05 % (of final value)               |

### Electrical isolation Input/output/power supply

|                          |                         |
|--------------------------|-------------------------|
| Rated insulation voltage | 300 V <sub>rms</sub>    |
| Test voltage             | 1.5 kV AC (50 Hz, 60 s) |

### Supply

|                          |  |
|--------------------------|--|
| Nominal supply voltage   | 24 V DC  |
| Supply voltage range     | 19.2 V DC ... 30 V DC (24 V DC, -20 % ... +25 %) |
| Max. current consumption | < 46 mA (24 V DC / 20 mA)                        |
| Power dissipation        | < 1.1 W (24 V DC / 20 mA)                        |

### Input data

#### Signal: Current

|                      |   |
|----------------------|---|
| Number of inputs     | 1   |
| Current input signal | 0 mA ... 20 mA<br>4 mA ... 20 mA            |
| Input impedance      | > 100 k $\Omega$ (If there is a line fault) |
| Voltage drop         | 5.4 V (20 mA)                               |

### Output data

#### Signal: Current

|                                 |                                  |
|---------------------------------|----------------------------------|
| Output description              | Current output                   |
| Number of outputs               | 1                                |
| Current output signal           | 0 mA ... 20 mA<br>4 mA ... 20 mA |
| Load/output load current output | < 800 $\Omega$ (20 mA)           |

# MACX MCR-SL-IDS-I - Output signal conditioner



2865971

<https://www.phoenixcontact.com/gb/products/2865971>

|               |                          |
|---------------|--------------------------|
|               | < 730 $\Omega$ (22.5 mA) |
| Output ripple | < 20 mV <sub>rms</sub>   |

## Connection data

|                                  |   |
|----------------------------------|---|
| Connection method                | Screw connection                            |
| Stripping length                 | 7 mm  |
| Screw thread                     | M3  |
| Conductor cross-section rigid    | 0.2 mm <sup>2</sup> ... 2.5 mm <sup>2</sup> |
| Conductor cross-section flexible | 0.2 mm <sup>2</sup> ... 2.5 mm <sup>2</sup> |
| Conductor cross-section AWG      | 24 ... 14                                   |
| Tightening torque                | 0.5 Nm ... 0.6 Nm                           |

## Interfaces

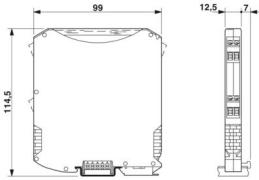
Data communication (bypass)

|                     |      |
|---------------------|------|
| HART function       | Yes  |
| Protocols supported | HART |

## Signaling

|                |                            |
|----------------|----------------------------|
| Status display | Green LED (supply voltage) |
|----------------|----------------------------|

## Dimensions

|                     |  |
|---------------------|--|
| Dimensional drawing |  |
| Width               | 12.5 mm  |
| Height              | 112.5 mm   |
| Depth               | 114.5 mm   |

## Material specifications

|  |                 |
|--|-----------------|
| Color  | gray (RAL 7042) |
| Flammability rating according to UL 94 (Housing) | V0 (Housing)    |
| Housing material                                 | PA 6.6-FR       |

## Characteristics

Safety data: IEC 61508 - High demand

|                              |   |
|------------------------------|---|
| Safety Integrity Level (SIL) | 2 |
|------------------------------|---|

Safety data: IEC 61508 - Low demand

|                              |   |
|------------------------------|---|
| Safety Integrity Level (SIL) | 2 |
|------------------------------|---|

## Environmental and real-life conditions

# MACX MCR-SL-IDS-I - Output signal conditioner



2865971

<https://www.phoenixcontact.com/gb/products/2865971>

## Ambient conditions

|   |  |
|---|--|
| Degree of protection                    | IP20 (not assessed by UL)                |
| Ambient temperature (operation)         | -20 °C ... 60 °C (Any mounting position) |
| Ambient temperature (storage/transport) | -40 °C ... 85 °C                         |
| Altitude                                | ≤ 2000 m                                 |
| Permissible humidity (operation)        | 10 % ... 95 % (non-condensing)           |

## Approvals

### CE

|             |                |
|-------------|----------------|
| Certificate | CE-compliant   |
| Note        | and EN 61326-1 |

### ATEX

|                |                            |
|----------------|----------------------------|
| Identification | ⊕ II 3 G Ex nA IIC T4 Gc X |
|----------------|----------------------------|

### UL, USA/Canada

|                |                                       |
|----------------|---------------------------------------|
| Identification | UL 508 Listed                         |
|                | UL 61010 Listed                       |
|                | Class I, Div. 2, Groups A, B, C, D T4 |
|                | Class I, Zone 2, Group IIC T4         |

### Shipbuilding approval

|                |                   |
|----------------|-------------------|
| Identification | C, EMC1           |
| Certificate    | DNV GL TAA00000AG |

### Safety Integrity Level (SIL, IEC 61508)

|                |   |
|----------------|---|
| Identification | 2 |
|----------------|---|

### Shipbuilding data

|             |   |
|-------------|---|
| Temperature | B   |
| Humidity    | B   |
| Vibration   | A   |
| EMC         | B   |
| Enclosure   | Required protection according to the Rules shall be provided upon installation on board |

## EMC data

|                               |                                |
|-------------------------------|--------------------------------|
| Electromagnetic compatibility | Conformance with EMC directive |
| Noise immunity                | EN 61000-6-2                   |

### Noise emission

|                       |              |
|-----------------------|--------------|
| Standards/regulations | EN 61000-6-4 |
|-----------------------|--------------|

### Electromagnetic HF field

|                       |                          |
|-----------------------|--------------------------|
| Designation           | Electromagnetic RF field |
| Standards/regulations | EN 61000-4-3             |

# MACX MCR-SL-IDS-I - Output signal conditioner



2865971

<https://www.phoenixcontact.com/gb/products/2865971>

## Mounting

|               |                   |
|---------------|-------------------|
| Mounting type | DIN rail mounting |
|---------------|-------------------|

# MACX MCR-SL-IDS1-I - Output signal conditioner

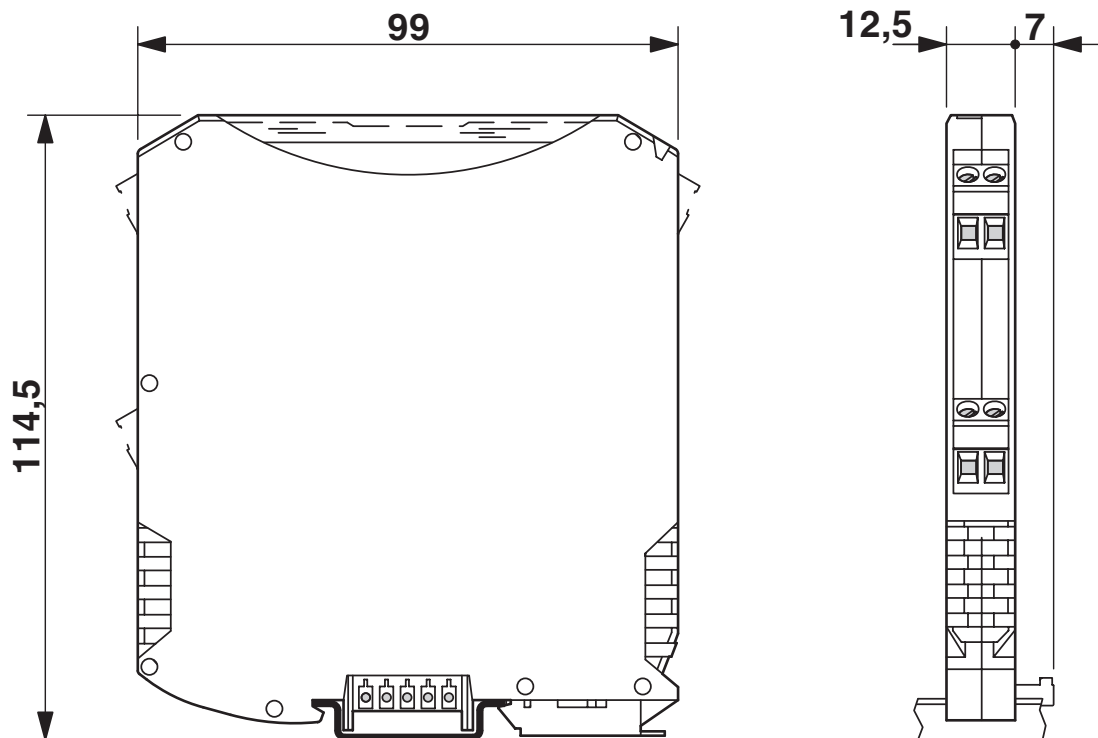
2865971

<https://www.phoenixcontact.com/gb/products/2865971>



## Drawings

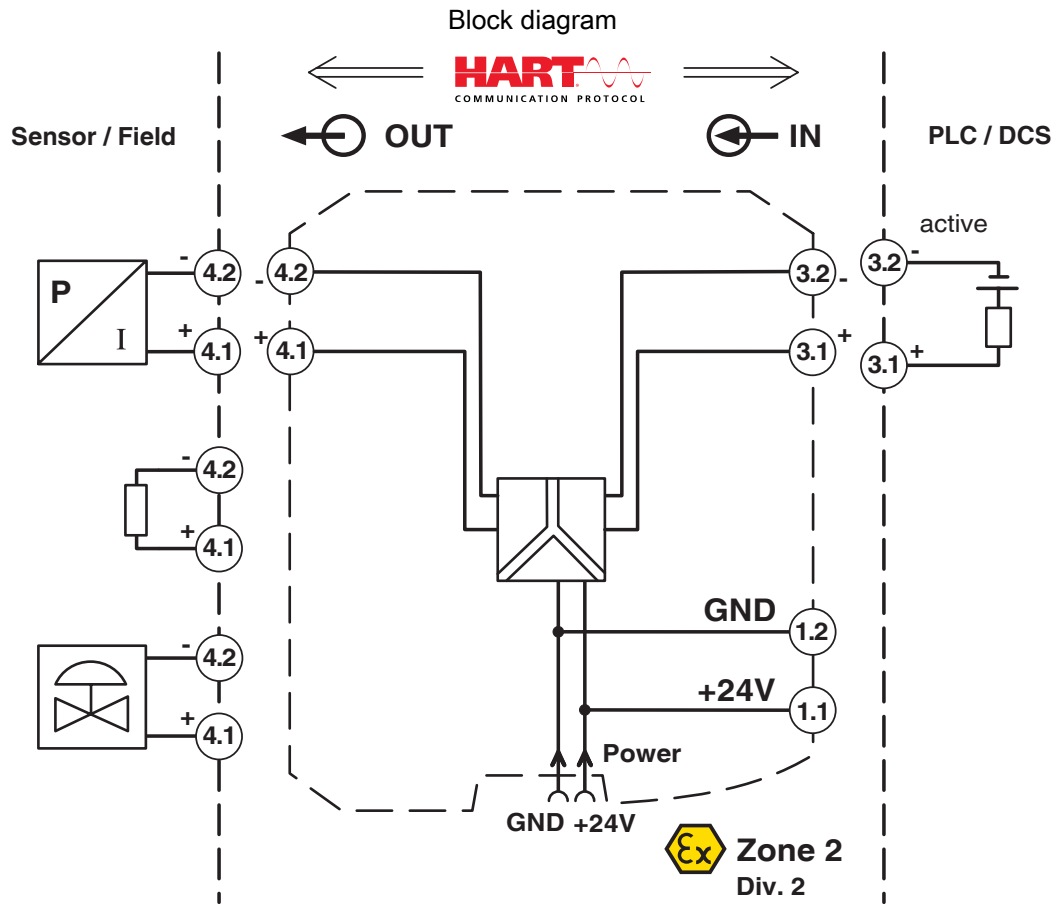
Dimensional drawing



# MACX MCR-SL-IDS1-I - Output signal conditioner

2865971

<https://www.phoenixcontact.com/gb/products/2865971>



# MACX MCR-SL-IDS-I - Output signal conditioner



2865971

<https://www.phoenixcontact.com/gb/products/2865971>

## Classifications

### UNSPSC

|             |          |
|-------------|----------|
| UNSPSC 21.0 | 39121008 |
|-------------|----------|

# MACX MCR-SL-IDS-I - Output signal conditioner



2865971

<https://www.phoenixcontact.com/gb/products/2865971>

## Environmental product compliance

### EU RoHS

|   |              |
|---|--------------|
| Fulfills EU RoHS substance requirements | Yes          |
| Exemption                               | 7(a), 7(c)-I |

### China RoHS

|  |   |
|--|---|
| Environment friendly use period (EFUP) | EFUP-50   |
|  | An article-related China RoHS declaration table can be found in the download area for the respective article under "Manufacturer declaration". For all articles with EFUP-E, no China RoHS declaration table issued and required. |

### EU REACH SVHC

|                                     |                            |
|-------------------------------------|----------------------------|
| REACH candidate substance (CAS No.) | No substance above 0.1 wt% |
|-------------------------------------|----------------------------|

Phoenix Contact 2026 © - all rights reserved  
<https://www.phoenixcontact.com>

PHOENIX CONTACT Ltd  
Halesfield 13, Telford  
Shropshire, TF7 4PG  
01952 681700  
[info@phoenixcontact.co.uk](mailto:info@phoenixcontact.co.uk)