

# MINI MCR-SL-U-UI-NC - Input signal conditioner



2865007

<https://www.phoenixcontact.com/gb/products/2865007>

Please be informed that the data shown in this PDF document is generated from our online catalog. Please find the complete data in the user documentation. Our general terms of use for downloads are valid.



MCR 3-way signal conditioner, with configurable input/output, for electrical isolation and conversion of analog signals up to 30 V, with screw connection, standard configuration

## Product description

The 6.2 mm wide configurable 3-way isolating amplifier MINI MCR-SL-U-UI-... is used for electrical isolation, conversion, amplification and filtering of standard signals.

The signals 0...24 V and 0...30 V can be processed on the input side.

The analog signals 0...20 mA, 4...20 mA, 0...10 V, 2...10 V, 0...5 V or 1..5 V are available electrically isolated on the output side.

The DIP switches, which can be accessed on the side of the housing, can be used to configure the input and output signal ranges.

Power (19.2 V DC to 30 V DC) can be supplied through connection terminal blocks on the modules or in conjunction with the DIN rail connector.

## Your advantages

- Power supply possible via the foot element (TBUS)
- Low power consumption
- Highly-compact isolating amplifier for electrical isolation, conversion, amplification, and filtering of 24 V or
- 30 V DC signals to create standard analog signals
- Up to 12 signal combinations can be configured using DIP switches
- 3-way isolation

## Commercial data

Item number	2865007
Packing unit	1 pc
Minimum order quantity	1 pc
Sales key	DK1131
Product key	DK1131
GTIN	4046356046565
Weight per piece (including packing)	87.4 g
Weight per piece (excluding packing)	65.8 g
Customs tariff number	85437090
Country of origin	DE

# MINI MCR-SL-U-UI-NC - Input signal conditioner



2865007

<https://www.phoenixcontact.com/gb/products/2865007>

## Technical data

### Notes

#### Utilization restriction

EMC note	EMC: class A product, see manufacturer's declaration in the download area
----------	---

### Product properties

Product type	Input signal conditioner
Product family	MINI Analog
No. of channels	1
Configuration	DIP switches

### System properties

#### Functionality

Configuration	DIP switches
---------------	--------------

### Electrical properties

Electrical isolation	3-way isolation
Electrical isolation between input and output	yes
Limit frequency (3 dB)	approx. 100 Hz
Protective circuit	Transient protection
Step response (10-90%)	approx. 3.5 ms
Maximum temperature coefficient	< 0.01 %/K
Temperature coefficient, typical	< 0.002 %/K
Maximum transmission error	< 0.1 % (of final value) < 0.4 % (Without adjustment)

#### Electrical isolation

Overvoltage category	II
Pollution degree	2

#### Electrical isolation Input/output/power supply IEC/EN 61010

Standards/regulations	IEC/EN 61010
Rated insulation voltage	50 V AC/DC
Test voltage	1.5 kV AC (50 Hz, 60 s)
Insulation	Basic insulation

#### Supply

Nominal supply voltage	24 V DC
Supply voltage range	19.2 V DC ... 30 V DC (The DIN rail connector (ME 6,2 TBUS-2 1,5/5-ST-3,81 GN, item no. 2869728) can be used to bridge the supply voltage. It can be snapped onto a 35 mm DIN rail in accordance with EN 60715)
Max. current consumption	< 19 mA (at 24 V DC incl. load)

# MINI MCR-SL-U-UI-NC - Input signal conditioner



2865007

<https://www.phoenixcontact.com/gb/products/2865007>

Power consumption	< 450 mW
-------------------	----------

## Input data

Signal: Voltage

Number of inputs	1
Configurable/programmable	Yes, unconfigured
Voltage input signal	0 V ... 24 V 0 V ... 30 V
Max. voltage input signal	50 V DC
Input resistance of voltage input	approx. 125 k $\Omega$ (0 V ... 24 V) approx. 155 k $\Omega$ (0 V ... 30 V)

## Output data

Signal: Voltage/current

Number of outputs	1
Configurable/programmable	Yes, unconfigured
Voltage output signal	0 V ... 10 V 0 V ... 5 V 1 V ... 5 V 2 V ... 10 V
Max. voltage output signal	$\leq$ 12.5 V
Open-circuit voltage	$\leq$ 12.5 V
Current output signal	0 mA ... 20 mA 4 mA ... 20 mA
Max. current output signal	28 mA
Short-circuit current	$\leq$ 22 mA
Load/output load voltage output	> 10 k $\Omega$
Load/output load current output	< 500 $\Omega$ (at 20 mA)
Ripple	< 20 mV <sub>PP</sub> (at 500 $\Omega$ ) < 20 mV <sub>PP</sub> (at 10 k $\Omega$ )

## Connection data

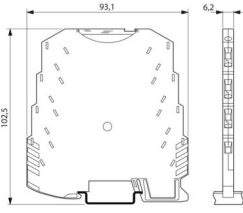
Connection method	Screw connection
Stripping length	12 mm
Screw thread	M3
Conductor cross-section rigid	0.2 mm <sup>2</sup> ... 2.5 mm <sup>2</sup>
Conductor cross-section flexible	0.2 mm <sup>2</sup> ... 2.5 mm <sup>2</sup>
Conductor cross-section AWG	26 ... 12

## Dimensions

# MINI MCR-SL-U-UI-NC - Input signal conditioner

2865007

<https://www.phoenixcontact.com/gb/products/2865007>

Dimensional drawing	
Width	6.2 mm
Height	93.1 mm
Depth	101.2 mm

## Material specifications

Color	green (RAL 6021)
Housing material	PBT
Fire protection for rail vehicles (DIN EN 45545-2) R22	HL 1 - HL 2
Fire protection for rail vehicles (DIN EN 45545-2) R23	HL 1 - HL 2
Fire protection for rail vehicles (DIN EN 45545-2) R24	HL 1 - HL 2

## Environmental and real-life conditions

### Ambient conditions

Degree of protection	IP20
Ambient temperature (operation)	-20 °C ... 65 °C
Ambient temperature (storage/transport)	-40 °C ... 85 °C
Altitude	≤ 2000 m
Permissible humidity (operation)	5 % ... 95 % (non-condensing)

## Approvals

### CE

Certificate	CE-compliant
-------------	--------------

### UL, USA/Canada

Identification	UL 508 Recognized Class I, Div. 2, Groups A, B, C, D T5
----------------	--

## EMC data

Electromagnetic compatibility	Conformance with EMC directive
Noise immunity	EN 61000-6-2
Note	When being exposed to interference, there may be minimal deviations.

### Noise emission

Standards/regulations	EN 61000-6-4
-----------------------	--------------

### Electrostatic discharge

Standards/regulations	EN 61000-4-2
-----------------------	--------------

# MINI MCR-SL-U-UI-NC - Input signal conditioner



2865007

<https://www.phoenixcontact.com/gb/products/2865007>

## Electrostatic discharge

Comments	Safety measures must be taken to prevent electrostatic discharge.
----------	---

## Electromagnetic HF field

Designation	Electromagnetic RF field
Standards/regulations	EN 61000-4-3
Typical deviation from the measuring range final value	5 %

## Fast transients (burst)

Designation	Fast transients (burst)
Standards/regulations	EN 61000-4-4
Typical deviation from the measuring range final value	5 %

## Surge current load (surge)

Standards/regulations	EN 61000-4-5
-----------------------	--------------

## Surge current load (surge)

Comments	Criterion B
----------	-------------

## Conducted interference

Designation	Conducted interferences
Standards/regulations	EN 61000-4-6
Typical deviation from the measuring range final value	5 %

## Standards and regulations

Electrical isolation	3-way isolation
----------------------	-----------------

## Mounting

Mounting type	DIN rail mounting
Assembly note	The DIN rail connector (ME 6,2 TBUS-2 1,5/5-ST-3,81 GN, item no. 2869728) can be used to bridge the supply voltage. It can be snapped onto a 35 mm DIN rail in accordance with EN 60715.
Mounting position	any

# MINI MCR-SL-U-UI-NC - Input signal conditioner



2865007

<https://www.phoenixcontact.com/gb/products/2865007>

## Drawings

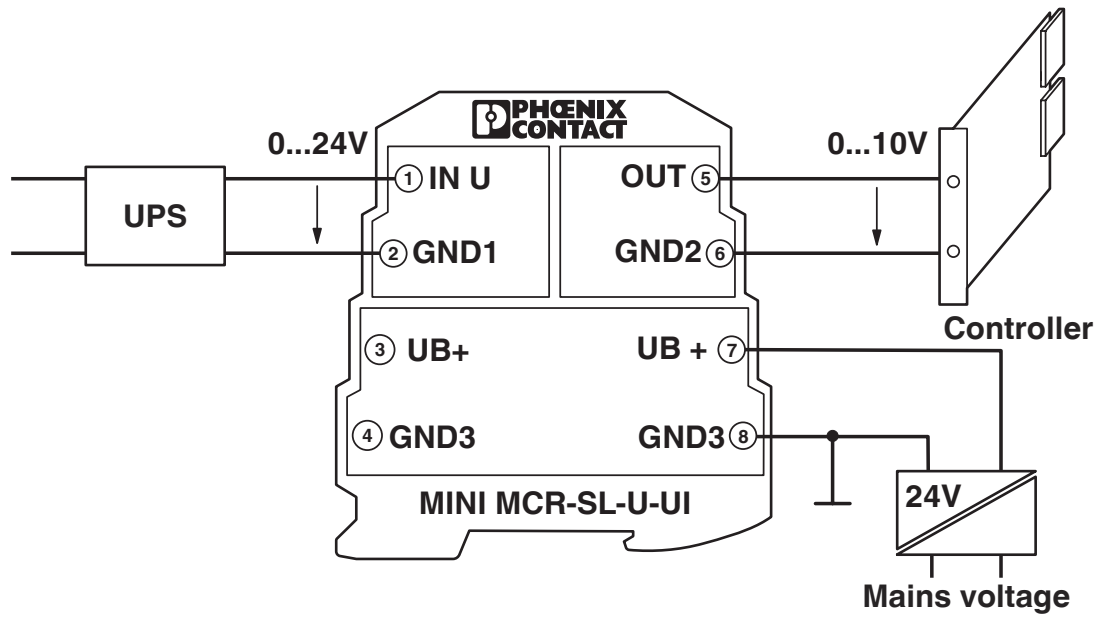


# MINI MCR-SL-U-UI-NC - Input signal conditioner

2865007

<https://www.phoenixcontact.com/gb/products/2865007>

Application drawing



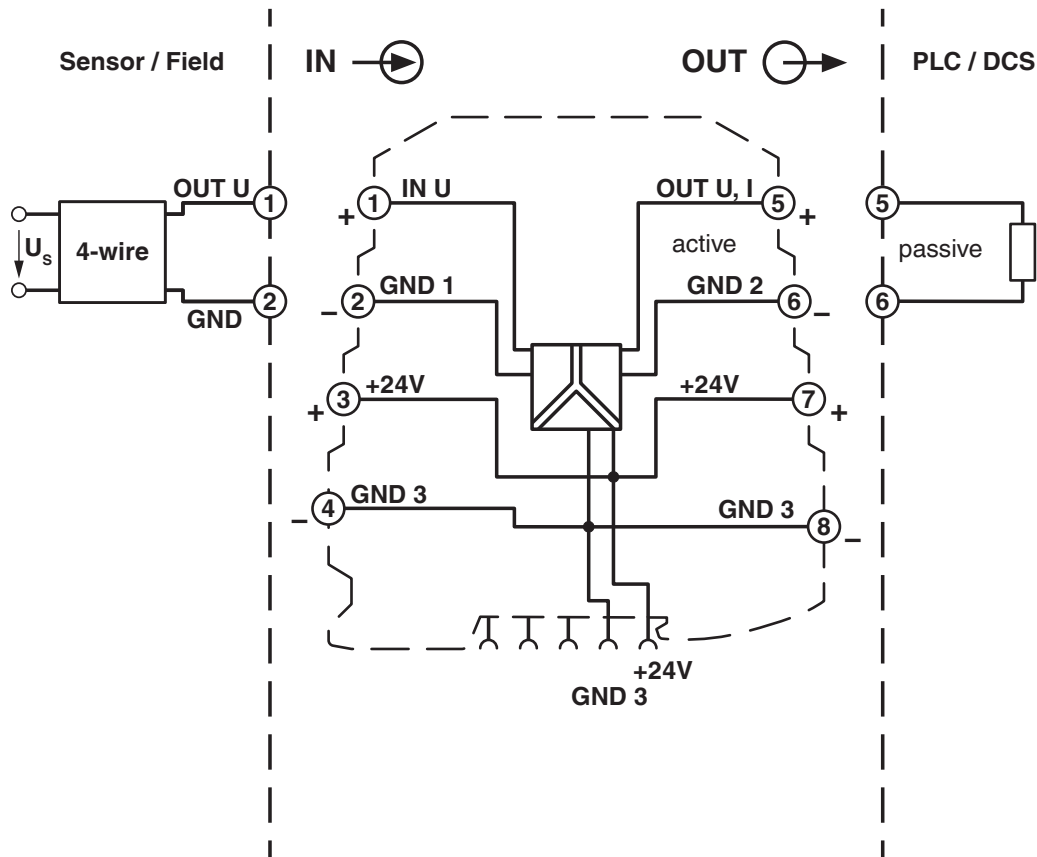
Signal conversion to uninterruptible power supply (UPS)

# MINI MCR-SL-U-UI-NC - Input signal conditioner

2865007

<https://www.phoenixcontact.com/gb/products/2865007>

Block diagram



# MINI MCR-SL-U-UI-NC - Input signal conditioner



2865007

<https://www.phoenixcontact.com/gb/products/2865007>

## Approvals

To download certificates, visit the product detail page: <https://www.phoenixcontact.com/gb/products/2865007>



**cUL Recognized**  
Approval ID: E238705



**UL Recognized**  
Approval ID: E238705

**DNV**

Approval ID: TAA000020N



**cUL Listed**  
Approval ID: E199827



**UL Listed**  
Approval ID: E199827

# MINI MCR-SL-U-UI-NC - Input signal conditioner



2865007

<https://www.phoenixcontact.com/gb/products/2865007>

## Classifications

### ECLASS

ECLASS-13.0	27210120
ECLASS-15.0	27210120

### ETIM

ETIM 10.0	EC002653
-----------	----------

### UNSPSC

UNSPSC 21.0	39121000
-------------	----------

# MINI MCR-SL-U-UI-NC - Input signal conditioner



2865007

<https://www.phoenixcontact.com/gb/products/2865007>

## Environmental product compliance

### EU RoHS

Fulfills EU RoHS substance requirements	Yes
Exemption	6(c), 7(a), 7(c)-I

### China RoHS

Environment friendly use period (EFUP)	EFUP-50
	An article-related China RoHS declaration table can be found in the download area for the respective article under "Manufacturer declaration". For all articles with EFUP-E, no China RoHS declaration table issued and required.

### EU REACH SVHC

REACH candidate substance (CAS No.)	Lead(CAS: 7439-92-1)
	2,2',6,6'-tetrabromo-4,4'-isopropylidenediphenol(CAS: 79-94-7)
SCIP	a02a0324-82fd-47f3-911e-579cf8fb116c

### EF3.1 Climate Change

CO2e kg	2.174 kg CO2e
---------	---------------

Phoenix Contact 2026 © - all rights reserved  
<https://www.phoenixcontact.com>

PHOENIX CONTACT Ltd  
Halesfield 13, Telford  
Shropshire, TF7 4PG  
01952 681700  
[info@phoenixcontact.co.uk](mailto:info@phoenixcontact.co.uk)