

MCR-FL-T-LP-I-EX - Temperature measuring transducer

2864574

<https://www.phoenixcontact.com/gb/products/2864574>

Please be informed that the data shown in this PDF document is generated from our online catalog. Please find the complete data in the user documentation. Our general terms of use for downloads are valid.



MCR head-mounted temperature transducers: Programmable loop-powered temperature transducers. Resistance thermometers, thermocouples, resistance-type sensors and voltage sensors.

Your advantages

- Input for resistance thermometers, thermocouples, and linear mV signals, Ex ia IIC
- Configuration via software
- Can be installed in zone 1
- 2-way electrical isolation
- 1-channel
- Loop-powered
- HART-compatible (MCR-FL-TS-LP-I-EX)
- Output: 4 mA ... 20 mA/20 mA ... 4 mA

Commercial data

| | |
|--------------------------------------|--------------------------------|
| Item number | 2864574 |
| Packing unit | 1 pc |
| Minimum order quantity | 1 pc |
| Note | Made to order (non-returnable) |
| Sales key | DK1XXX |
| Product key | DK1XXX |
| GTIN | 4017918907273 |
| Weight per piece (including packing) | 104 g |
| Weight per piece (excluding packing) | 104 g |
| Customs tariff number | 85437090 |
| Country of origin | DE |

MCR-FL-T-LP-I-EX - Temperature measuring transducer



2864574

<https://www.phoenixcontact.com/gb/products/2864574>

Technical data

Product properties

| | |
|---------------|--|
| Product type | Temperature transmitter |
| Application | Temperature |
| Configuration | Using MCR-PI-CONF-WIN configuration software package |

System properties

Functionality

| | |
|---------------|--|
| Configuration | Using MCR-PI-CONF-WIN configuration software package |
|---------------|--|

Electrical properties

| | |
|---|--|
| Switch-on delay | 4 s |
| Line monitoring | NE 43 |
| Test voltage input/output | 2 kV AC (50 Hz, 60 s) |
| Step response (10-90%) | < 2 s |
| Transmission error voltage sensor | ±20 µV (-10 mV ... 100 mV) |
| Transmission error thermocouples | typ. 0.5 K (K, J, T, E, L, U), 1.0 K (N, C, D), 2.0 K (S, B, R) |
| Transmission error resistance-type sensor | ±0.1 Ω (10 ... 400 Ω), ±1.5 Ω (10 ... 2000 Ω) |
| Transmission error resistance thermometer | 0.2 K (Pt 100, Ni 100), 0.5 K (Pt 500, Ni 500), 0.3 K (Pt 1000, Ni 1000) |

Supply

| | |
|--------------------------|---------------------|
| Designation | Loop-powered |
| Supply voltage range | 12 V DC ... 30 V DC |
| Max. current consumption | < 3.5 mA |

Input data

Signal

| | |
|------------------|-------------|
| Number of inputs | 1 |
| Input signal | Temperature |

Measurement

| | |
|--|---|
| Configurable/programmable | Yes, programmable |
| Sensor types (RTD) that can be used | Pt, Ni (100, 500, 1000); min. measurement range 10 K |
| Sensor types that can be used (TC) | B, C, D, E, J, K, L, N, R, S, T, U; min. measurement range 50 K/500 K |
| Temperature measuring range: Pt 100 | -200 °C ... 850 °C (freely adjustable) |
| Temperature measuring range: Pt 500 | -200 °C ... 250 °C (freely adjustable) |
| Temperature measuring range: Pt 1000 | -200 °C ... 250 °C (freely adjustable) |
| Temperature measuring range: Ni 100 | -60 °C ... 180 °C (freely adjustable) |
| Temperature measuring range: Ni 500 | -60 °C ... 150 °C (freely adjustable) |
| Temperature measuring range: Ni 1000 | -60 °C ... 150 °C (freely adjustable) |
| Temperature measuring range: Thermoelement Typ B | 0 °C ... 1820 °C (freely adjustable) |

MCR-FL-T-LP-I-EX - Temperature measuring transducer



2864574

<https://www.phoenixcontact.com/gb/products/2864574>

| | |
|--|---|
| Temperature measuring range: Thermoelement Typ C | 0 °C ... 2320 °C (freely adjustable) |
| Temperature measuring range: Thermoelement Typ D | 0 °C ... 2495 °C (freely adjustable) |
| Temperature measuring range: Thermoelement Typ E | -270 °C ... 1000 °C (freely adjustable) |
| Temperature measuring range: Thermoelement Typ J | -210 °C ... 1200 °C (freely adjustable) |
| Temperature measuring range: Thermoelement Typ K | -270 °C ... 1372 °C (freely adjustable) |
| Temperature measuring range: Thermoelement Typ L | -200 °C ... 900 °C (freely adjustable) |
| Temperature measuring range: Thermoelement Typ N | -270 °C ... 1300 °C (freely adjustable) |
| Temperature measuring range: Thermoelement Typ R | -50 °C ... 1760 °C (freely adjustable) |
| Temperature measuring range: Thermoelement Typ S | -50 °C ... 1760 °C (freely adjustable) |
| Temperature measuring range: Thermoelement Typ T | -270 °C ... 400 °C (freely adjustable) |
| Temperature measuring range: Thermoelement Typ U | -200 °C ... 600 °C (freely adjustable) |
| Connection technology | 2-, 3-, 4-conductor |
| Linear resistance measuring range | 10 Ω ... 400 Ω (min. measurement range 10 Ω) |
| | 10 Ω ... 2000 Ω (min. measurement range 100 Ω) |
| Linear mV signal range | -10 mV ... 100 mV (min. measurement range 5 mV) |

Output data

Switching:

| | |
|---------------------------|----|
| Configurable/programmable | no |
|---------------------------|----|

Signal

| | |
|--|---|
| Output description | Current output |
| Number of outputs | 1 |
| Configurable/programmable | Yes |
| Current output signal | 4 mA ... 20 mA |
| | 20 mA ... 4 mA |
| Max. current output signal | ≤ 23 mA |
| Output current with short-circuit | ≤ 3.6 mA or ≥ 21 mA (adjustable, not for thermocouples) |
| Output current with wire break | ≤ 3.6 mA or ≥ 21 mA (adjustable) |
| Output current range with overrange/underrange | 3.8 mA ... 20.5 mA |
| Load/output load current output | ≤ 520 Ω (At $U_V = 24 \text{ V}$; $U_{\text{supply}} - 12 \text{ V} / 0.023 \text{ A}$) |

Connection data

| | |
|----------------------------------|---|
| Connection method | Screw connection |
| Stripping length | 8 mm |
| Screw thread | M3 |
| Conductor cross-section rigid | 0.2 mm ² ... 2.5 mm ² |
| Conductor cross-section flexible | 0.2 mm ² ... 2.5 mm ² |
| Conductor cross-section AWG | 24 ... 14 |
| Tightening torque | 0.5 Nm ... 0.6 Nm |

Ex data

Safety data

| | |
|--------------------|------|
| Max. voltage U_i | 30 V |
|--------------------|------|

MCR-FL-T-LP-I-EX - Temperature measuring transducer



2864574

<https://www.phoenixcontact.com/gb/products/2864574>

| | |
|--|------------------------------------|
| Max. current I_i | 100 mA |
| Max. power P_i | 750 mW |
| Max. output voltage U_o | 4.4 V DC |
| Max. output current I_o | 9.6 mA |
| Max. output power P_o | 10.6 mW |
| Max. ambient temperature | T4 = 85 °C, T5 = 65 °C, T6 = 50 °C |
| Safety-related maximum voltage U_m | 250 V |
| IIA: Max. external inductivity L_o / Max. external capacitance C_o | 100 mH / 12 μ F |
| IIB: Max. external inductivity L_o / Max. external capacitance C_o | 100 mH / 12 μ F |
| IIC: Max. external inductivity L_o / Max. external capacitance C_o | 100 mH / 2.4 μ F |

Dimensions

| | |
|---------------------|----------|
| Dimensional drawing | |
| Width | 12.5 mm |
| Height | 99 mm |
| Depth | 114.5 mm |

Material specifications

| | |
|--|-----------------------------|
| Color | green (RAL 6021) |
| Flammability rating according to UL 94 | V0 |
| Housing material | Polyamide PA non-reinforced |

Environmental and real-life conditions

Ambient conditions

| | |
|---------------------------------|------------------|
| Degree of protection | IP20 |
| Ambient temperature (operation) | -40 °C ... 55 °C |

Approvals

CE

| | |
|-------------|--------------|
| Certificate | CE-compliant |
|-------------|--------------|

ATEX

| | |
|----------------|-------------------------------|
| Identification | ⊕ II 2(1) G Ex ia IIC T4...T6 |
|----------------|-------------------------------|

UL, USA/Canada

| | |
|----------------|-------|
| Identification | cULus |
|----------------|-------|

Standards and regulations

MCR-FL-T-LP-I-EX - Temperature measuring transducer



2864574

<https://www.phoenixcontact.com/gb/products/2864574>

Standards

| | |
|-----------------------|----------------------------|
| Standards/regulations | NAMUR recommendation NE 21 |
|-----------------------|----------------------------|

Mounting

| | |
|-------------------|-------------------|
| Mounting type | DIN rail mounting |
| Mounting position | any |

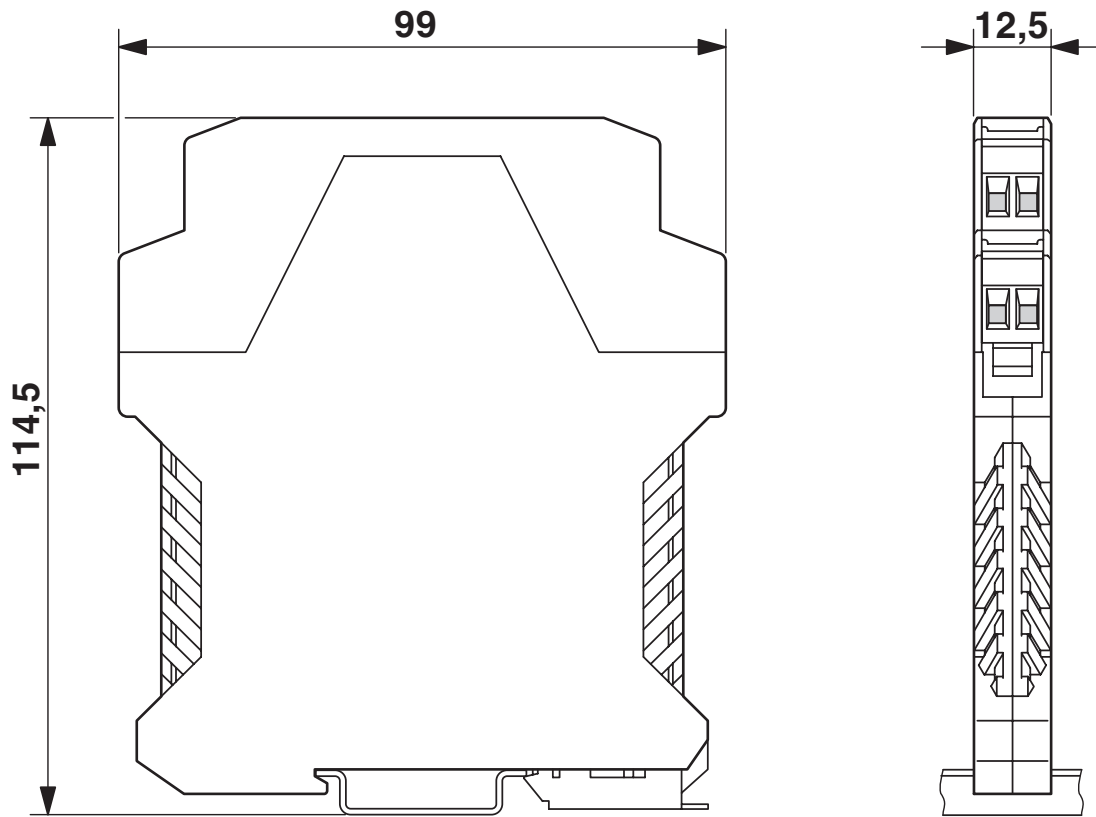
MCR-FL-T-LP-I-EX - Temperature measuring transducer

2864574

<https://www.phoenixcontact.com/gb/products/2864574>

Drawings

Dimensional drawing

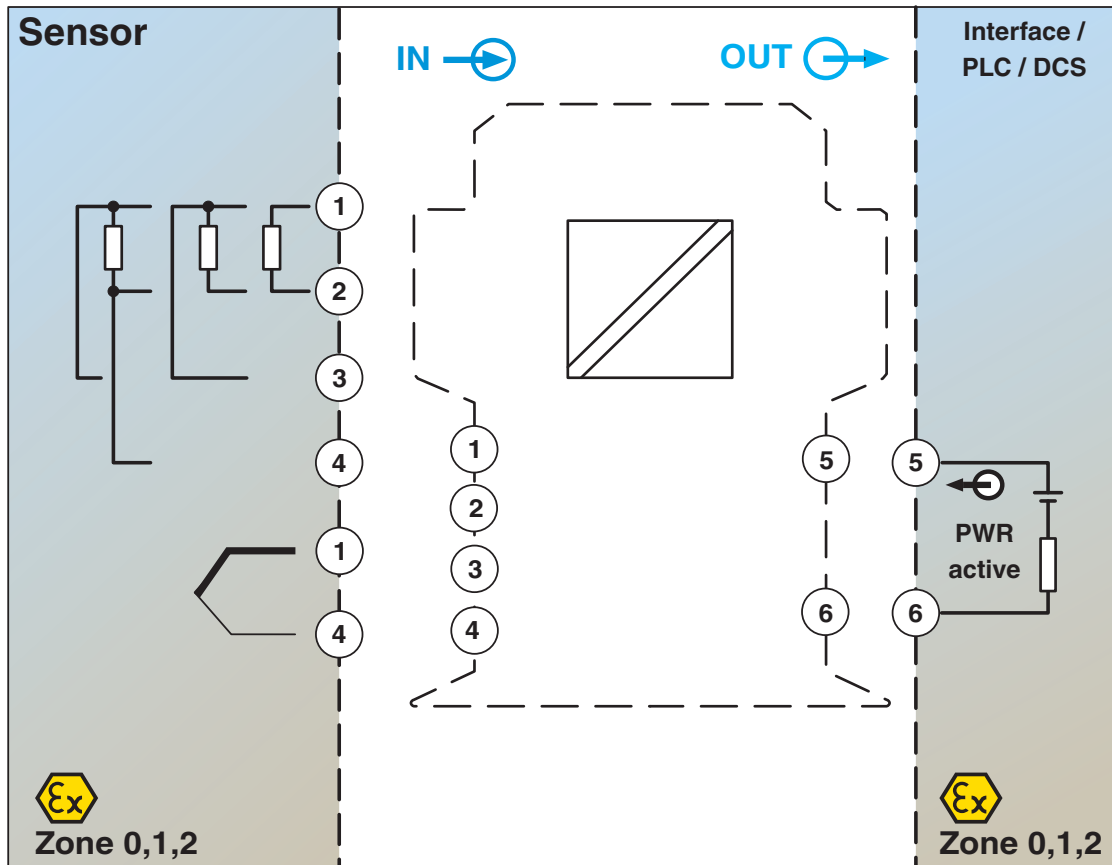


MCR-FL-T-LP-I-EX - Temperature measuring transducer

2864574

<https://www.phoenixcontact.com/gb/products/2864574>

Block diagram



Block diagram MCR-FL-T-LP-I-EX

MCR-FL-T-LP-I-EX - Temperature measuring transducer



2864574

<https://www.phoenixcontact.com/gb/products/2864574>

Classifications

UNSPSC

| | |
|-------------|----------|
| UNSPSC 21.0 | 41112105 |
|-------------|----------|

MCR-FL-T-LP-I-EX - Temperature measuring transducer



2864574

<https://www.phoenixcontact.com/gb/products/2864574>

Environmental product compliance

EU RoHS

| | |
|---|--------------------|
| Fulfills EU RoHS substance requirements | Yes, No exemptions |
|---|--------------------|

China RoHS

| | |
|--|--|
| Environment friendly use period (EFUP) | EFUP-E |
| | No hazardous substances above the limits |

EU REACH SVHC

| | |
|-------------------------------------|----------------------------|
| REACH candidate substance (CAS No.) | No substance above 0.1 wt% |
|-------------------------------------|----------------------------|

Phoenix Contact 2026 © - all rights reserved
<https://www.phoenixcontact.com>

PHOENIX CONTACT Ltd
Halesfield 13, Telford
Shropshire, TF7 4PG
01952 681700
info@phoenixcontact.co.uk