

PT 2X1-24AC-ST - Surge protection plug



2856100

<https://www.phoenixcontact.com/gb/products/2856100>

Please be informed that the data shown in this PDF document is generated from our online catalog. Please find the complete data in the user documentation. Our general terms of use for downloads are valid.



Surge protection plug for the base element, coarse and fine protection for two signal wires with common reference potential, common mode voltage coarse protection to ground. Design: 24 V AC

Your advantages

- Easy testing and documentation with CHECKMASTER 2 with pluggable protective modules
- Maximum ease of maintenance, thanks to the 2-piece design
- Easy selection for all possible demands in MCR applications with a complete product portfolio
- The signal is not influenced during maintenance work, thanks to the impedance-neutral insertion and removal of protective plugs

Commercial data

Item number	2856100
Packing unit	10 pc
Minimum order quantity	1 pc
Note	Made to order (non-returnable)
Sales key	CL2111
Product key	CL2111
GTIN	4017918599140
Weight per piece (including packing)	21.5 g
Weight per piece (excluding packing)	19.85 g
Customs tariff number	85363010
Country of origin	DE

PT 2X1-24AC-ST - Surge protection plug

2856100

<https://www.phoenixcontact.com/gb/products/2856100>

Technical data

Notes

General

Note	Technical data is valid in association with the following specified base elements:
	PT 2X1+F-BE 2856142
	PT 2X1-BE 2856139

Product properties

Product type	Surge protection for MCR technology
Product family	PLUGTRAB PT
IEC test classification	C1
	C2
	C3
	D1
Type	Male
Arrester can be tested with CHECKMASTER from software version:	From SW rev. 1.00

Insulation characteristics

Overvoltage category	III
Pollution degree	2

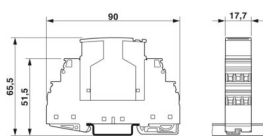
Electrical properties

Nominal voltage U_N	24 V AC
-----------------------	---------

Connection data

Connection method	Screw connection (in connection with the base element)
Screw thread	M3
Tightening torque	0.5 Nm
Conductor cross-section flexible	0.2 mm ² ... 2.5 mm ²
Conductor cross-section rigid	0.2 mm ² ... 4 mm ²
Conductor cross-section AWG	24 ... 12

Dimensions

Dimensional drawing	
Width	17.5 mm
Height	44.8 mm
Depth	51.7 mm

PT 2X1-24AC-ST - Surge protection plug



2856100

<https://www.phoenixcontact.com/gb/products/2856100>

Horizontal pitch	1 Div.
Complete module width	17.7 mm
Complete module height	90 mm
Complete module depth	65.5 mm

Material specifications

Color	black (RAL 9005)
	copper color
Flammability rating according to UL 94	V-0
Housing material	PA 6.6

Mechanical properties

Mechanical data

Open side panel	No
-----------------	----

Protective circuit

Direction of action	Line-Line & Line-Signal Ground/Shield & optional Signal Ground/Shield-Earth Ground
Nominal voltage U_N	24 V AC
Maximum continuous operating voltage U_C	40 V DC
	28 V AC
Rated current	300 mA (45 °C)
Operating effective current I_C at U_C	$\leq 5 \mu\text{A}$
Protective conductor current I_{PE}	$\leq 1 \mu\text{A}$ (with PT 2X1+F-BE)
	$\leq 10 \mu\text{A}$ (with PT 2x1-BE)
Nominal discharge current I_n (8/20) μs (line-ground)	10 kA
Pulse discharge current I_{imp} (10/350) μs	2.5 kA
Total discharge current I_{Total} (8/20) μs	20 kA
Max. discharge current I_{max} (8/20) μs maximum (line-earth)	10 kA
Nominal pulse current I_{an} (10/1000) μs (line-earth)	23 A
Output voltage limitation at 1 kV/ μs (line-earth) spike	$\leq 60 \text{ V}$ (with PT 2x1-BE)
	$\leq 600 \text{ V}$ (with PT 2X1+F-BE)
Output voltage limitation at 1 kV/ μs (line-earth) static	$\leq 55 \text{ V}$ (with PT 2x1-BE)
	$\leq 50 \text{ V}$ (with PT 2X1+F-BE)
Residual voltage at I_n (conductor-ground)	$\leq 55 \text{ V}$
Residual voltage with I_{an} (10/1000) μs (line-earth)	$\leq 65 \text{ V}$
Voltage protection level U_p (line-earth)	$\leq 100 \text{ V}$ (C2 - 10 kV/5 kA with PT 2X1-BE)
	$\leq 600 \text{ V}$ (C2 - 10 kV/5 kA with PT 2x1+F-BE)
Voltage protection level U_p static (line-earth)	$\leq 30 \text{ V}$ (C2 - 10 kV/5 kA with PT 2X1-BE)
	$\leq 50 \text{ V}$ (C2 - 10 kV/5 kA with PT 2x1+F-BE)
Response time t_A (line-earth)	$\leq 1 \text{ ns}$ (with PT 2x1-BE)
	$\leq 100 \text{ ns}$ (with PT 2X1+F-BE)
Response time t_A (line-signal ground)	$\leq 1 \text{ ns}$ (with PT 2X1+F-BE)
	typ. 0.5 dB ($\leq 1.5 \text{ MHz} / 50 \Omega$)

PT 2X1-24AC-ST - Surge protection plug



2856100

<https://www.phoenixcontact.com/gb/products/2856100>

Input attenuation aE, asym.	typ. 0.2 dB (\leq 500 kHz / 150 Ω)
	typ. 0.1 dB (\leq 100 kHz / 600 Ω)
Cut-off frequency fg (3 dB), asym. (PE) in 50 Ω system	typ. 8 MHz
Cut-off frequency fg (3 dB), asym. (PE) in 150 Ω system	typ. 300 kHz
Cut-off frequency fg (3 dB), asym. (PE) in 600 Ω system	typ. 800 kHz
Capacity (Core-Earth)	typ. 0.6 nF (with PT 2x1-BE)
	typ. 2 nF (with PT 2X1+F-BE)
Resistance per path	4.7 Ω \pm 10 %
Surge protection fault message	none
Max. required back-up fuse	315 mA (T)
Impulse durability (line-earth)	C2 - 10 kV / 5 kA
	D1 - 2.5 kA

Environmental and real-life conditions

Ambient conditions

Degree of protection	IP20
Ambient temperature (operation)	-40 °C ... 85 °C
Ambient temperature (storage/transport)	-40 °C ... 85 °C
Altitude	\leq 2000 m (amsl)

Standards and regulations

Standards/specifications	IEC 61643-21
Note	2000 + corrigendum 2001 + A1:2008, modified + A2:2012
Standards/specifications	EN 61643-21
Note	2001 + A1:2009 + A2:2013

Mounting

Mounting type	on base element
---------------	-----------------

PT 2X1-24AC-ST - Surge protection plug

2856100

<https://www.phoenixcontact.com/gb/products/2856100>

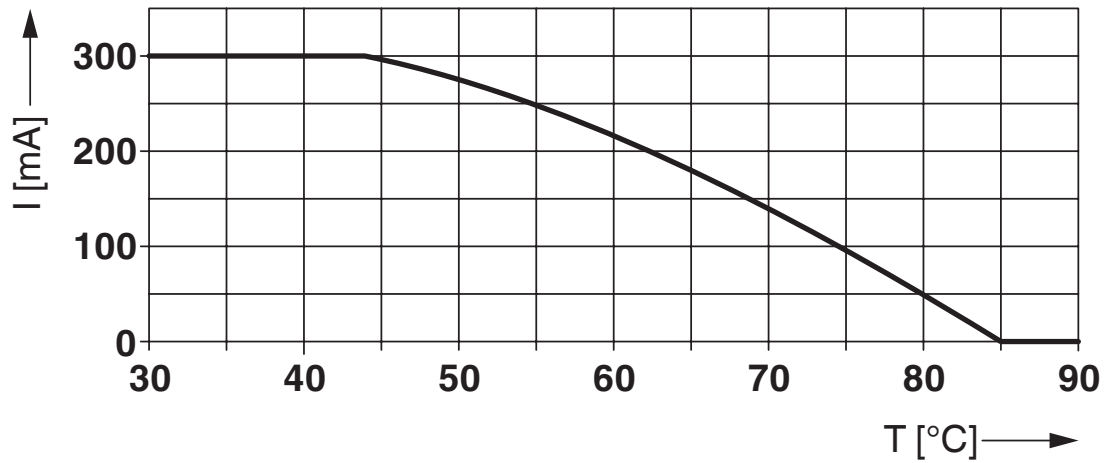
Drawings

Dimensional drawing



The figure shows the complete module consisting of a base element and connector

Diagram



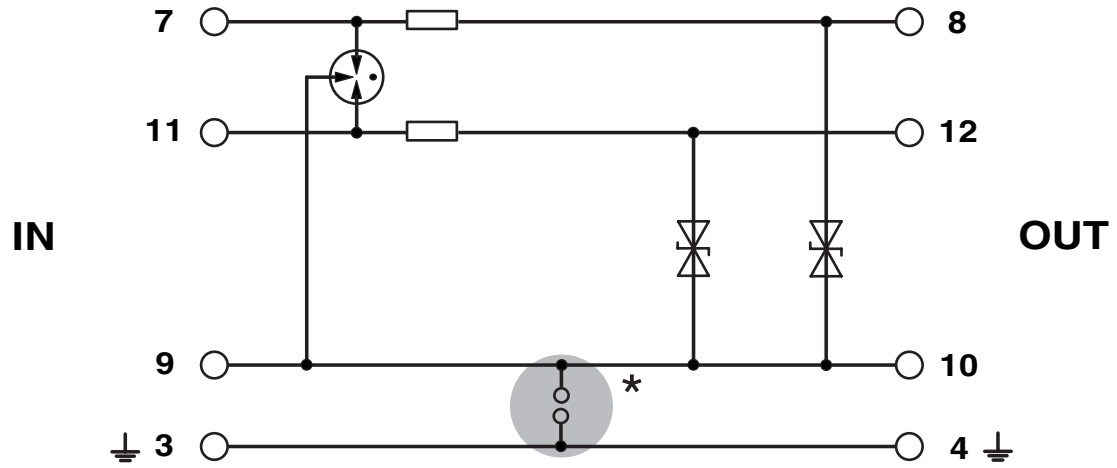
PT 2X1-24AC-ST - Surge protection plug

2856100

<https://www.phoenixcontact.com/gb/products/2856100>



Circuit diagram



PT 2X1-24AC-ST - Surge protection plug



2856100

<https://www.phoenixcontact.com/gb/products/2856100>

Classifications

ECLASS

ECLASS-13.0

27171501

UNSPSC

UNSPSC 21.0

39121600

PT 2X1-24AC-ST - Surge protection plug



2856100

<https://www.phoenixcontact.com/gb/products/2856100>

Environmental product compliance

EU RoHS

Fulfills EU RoHS substance requirements	Yes
Exemption	7(a)

China RoHS

Environment friendly use period (EFUP)	EFUP-50
	An article-related China RoHS declaration table can be found in the download area for the respective article under "Manufacturer declaration". For all articles with EFUP-E, no China RoHS declaration table issued and required.

EU REACH SVHC

REACH candidate substance (CAS No.)	Lead(CAS: 7439-92-1)
SCIP	b43af039-b776-4c4d-9a64-ea6023a82385

EF3.1 Climate Change

CO2e kg	0.993 kg CO2e
---------	---------------

Phoenix Contact 2026 © - all rights reserved
<https://www.phoenixcontact.com>

PHOENIX CONTACT Ltd
Halesfield 13, Telford
Shropshire, TF7 4PG
01952 681700
info@phoenixcontact.co.uk