

PI-EX-ME-2NAM/COC- 24VDC - Signal isolator



2835493

<https://www.phoenixcontact.com/gb/products/2835493>

Please be informed that the data shown in this PDF document is generated from our online catalog. Please find the complete data in the user documentation. Our general terms of use for downloads are valid.



NAMUR switching amplifier, 2-channel, input: intrinsic safety, output: relay, changeover contact, input voltage: 24 V DC supply

Commercial data

Item number	2835493
Packing unit	1 pc
Minimum order quantity	1 pc
Product key	DK1XXX
GTIN	4017918181222
Weight per piece (including packing)	180.6 g
Weight per piece (excluding packing)	179.555 g
Country of origin	DE

Technical data

Product properties

Product type	Signal conditioner
Application	Digital IN
No. of channels	2

Electrical properties

Limit frequency (3 dB)	20 Hz (max. switching frequency)
Test voltage input/output	1.5 kV AC (50 Hz, 60 s)

Electrical isolation Input/output/power supply

Electrical isolation	375 V (Peak value, in acc. with EN 50020)
----------------------	---

Supply

Supply voltage range	20 V DC ... 30 V DC
Max. current consumption	< 50 mA (24 V DC)
Power consumption	0.55 W (per channel)

Input data

Signal: NAMUR

Description of the input	intrinsically safe
Available input sources	NAMUR proximity sensors (IEC/EN 60947-5-6)
	floating switch contacts
	Switch contacts with resistance circuit
Switching threshold "0" signal current	< 1.55 mA (blocking)
Switching threshold "1" signal, current	> 1.75 mA (conductive)
Line fault detection	Can be disconnected by bridging X1, X2 or X5, X6
Open-circuit voltage	8.5 V DC

Output data

Switching: Relay

Configurable/programmable	Can be inverted via a switch in the front of the housing
Contact switching type	1 changeover contact per channel
Limiting continuous current	5 A (250 V AC)
	2 A (100 V DC)
Min. switching current	1 mA
Interrupting rating (ohmic load) max.	100 VA (250 V AC)
	50 W (100 V DC)
Frequency	20 Hz

Signal

Switching behavior	can be inverted via a switch in the front of the housing
--------------------	--

PI-EX-ME-2NAM/COC- 24VDC - Signal isolator



2835493

<https://www.phoenixcontact.com/gb/products/2835493>

Connection data

Connection method	Pluggable screw connection
Stripping length	8 mm
Screw thread	M3
Conductor cross-section rigid	0.2 mm ² ... 2.5 mm ²
Conductor cross-section flexible	0.2 mm ² ... 2.5 mm ²
Conductor cross-section AWG	24 ... 14
Tightening torque	0.5 Nm ... 0.6 Nm

Ex data

Safety data

Max. output voltage U_o	10.5 V
Max. output current I_o	26 mA
Max. output power P_o	67 mW
Safety-related maximum voltage U_m	250 V
IIB: Max. external inductivity L_o / Max. external capacitance C_o	160 mH / 16.8 μ F
IIC: Max. external inductivity L_o / Max. external capacitance C_o	45 mH / 2.41 μ F

Signaling

Status display	Green LED (supply voltage)
	LED yellow (switching state)
	Red LED (line errors)

Dimensions

Dimensional drawing	
Width	22.5 mm
Height	99 mm
Depth	114.5 mm

Material specifications

Color	green (RAL 6021)
Flammability rating according to UL 94	V0
Housing material	Polyamide PA non-reinforced

Environmental and real-life conditions

Ambient conditions

Ambient temperature (operation)	-20 °C ... 60 °C
---------------------------------	------------------

PI-EX-ME-2NAM/COC- 24VDC - Signal isolator



2835493

<https://www.phoenixcontact.com/gb/products/2835493>

Ambient temperature (storage/transport)	-25 °C ... 80 °C
Permissible humidity (operation)	≤ 75 % (annual average)
	≤ 95 % (30 days/year, non-condensing)

Approvals

CE

Certificate	CE-compliant
-------------	--------------

ATEX

Identification	⊕ II (1)GD
	[EEx ia] IIC
Certificate	TÜV 00 ATEX 1528

UL, USA/Canada

Identification	cULus
----------------	-------

Standards and regulations

Standards

Standards/regulations	NAMUR recommendation NE 21
-----------------------	----------------------------

PI-EX-ME-2NAM/COC- 24VDC - Signal isolator

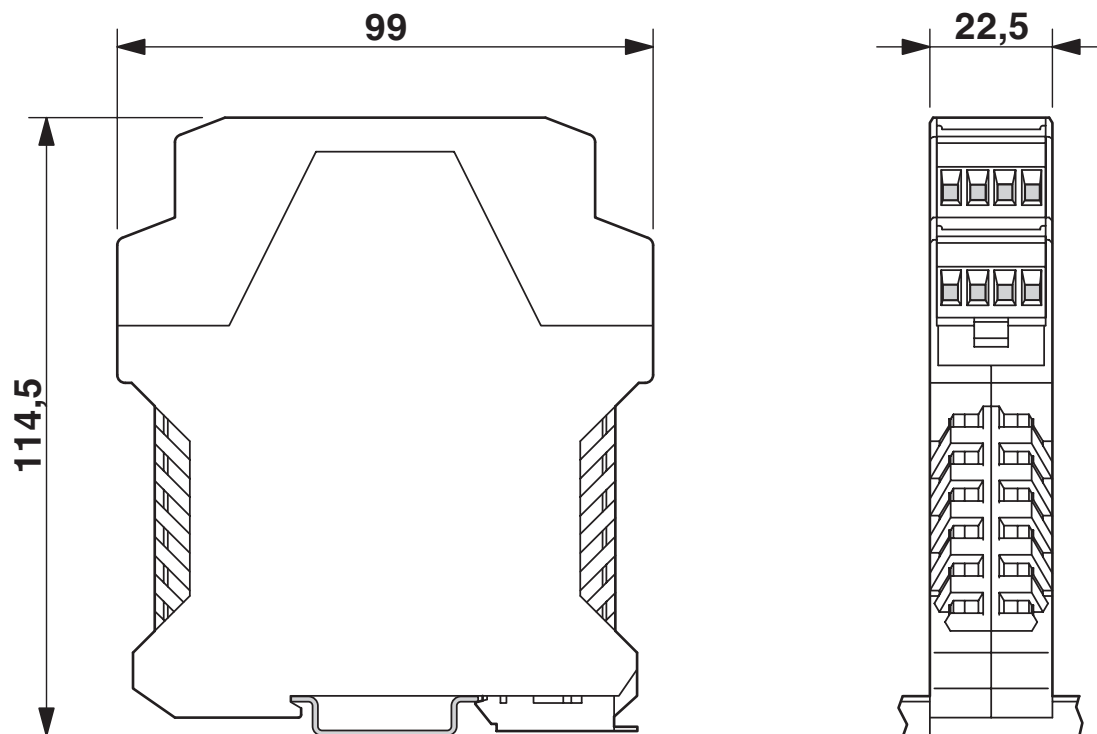
2835493

<https://www.phoenixcontact.com/gb/products/2835493>



Drawings

Dimensional drawing

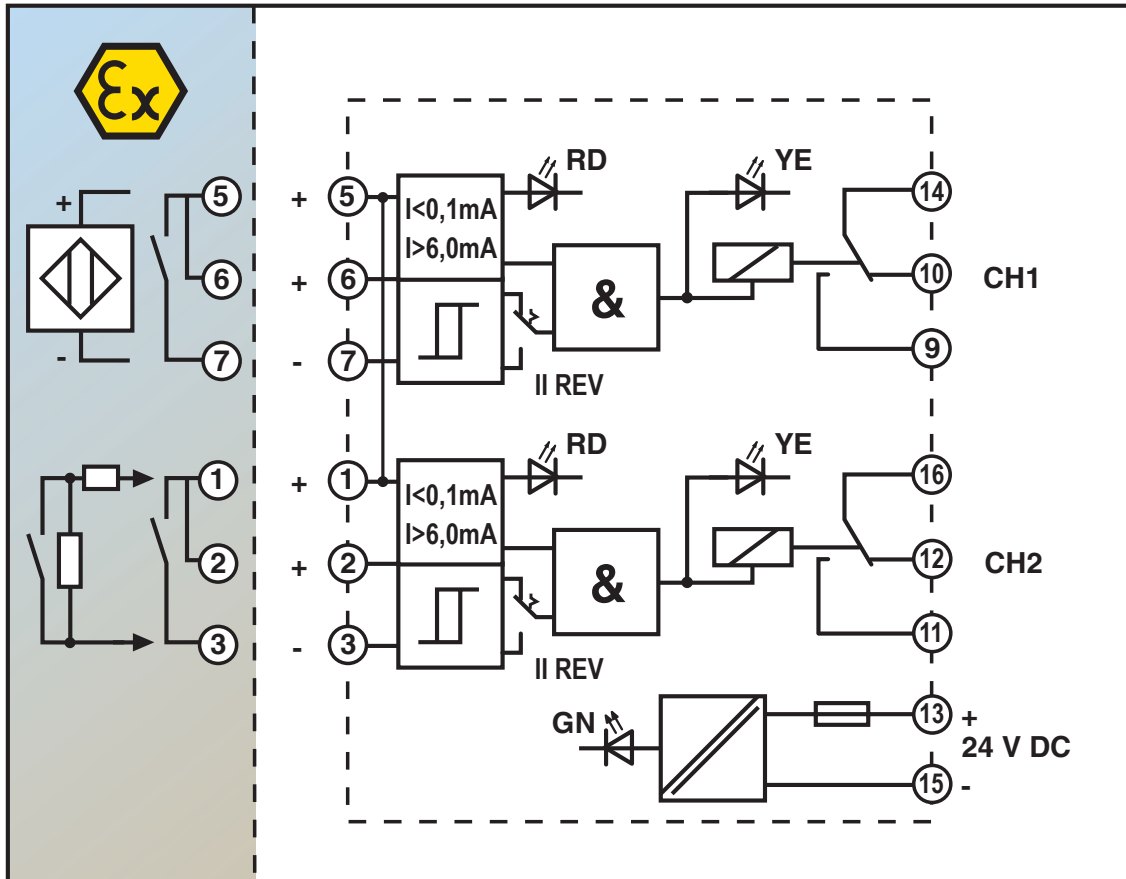


PI-EX-ME-2NAM/COC- 24VDC - Signal isolator

2835493

<https://www.phoenixcontact.com/gb/products/2835493>

Block diagram



Block diagram PI-EX-ME-2NAM/COC-24VDC

PI-EX-ME-2NAM/COC- 24VDC - Signal isolator



2835493

<https://www.phoenixcontact.com/gb/products/2835493>

Environmental product compliance

EU REACH SVHC

REACH candidate substance (CAS No.)	No substance above 0.1 wt%
-------------------------------------	----------------------------

Phoenix Contact 2026 © - all rights reserved

<https://www.phoenixcontact.com>

PHOENIX CONTACT Ltd

Halesfield 13, Telford

Shropshire, TF7 4PG

01952 681700

info@phoenixcontact.co.uk