

F-MS 12 ST - Type 2 surge protection plug



2817990

<https://www.phoenixcontact.com/gb/products/2817990>

Please be informed that the data shown in this PDF document is generated from our online catalog. Please find the complete data in the user documentation. Our general terms of use for downloads are valid.

Surge protection plug type 2, with N-PE total current spark gap for base element.



Commercial data

Item number	2817990
Packing unit	10 pc
Minimum order quantity	10 pc
Sales key	CL1321
Product key	CL1321
GTIN	4017918163648
Weight per piece (including packing)	39.65 g
Weight per piece (excluding packing)	35.56 g
Customs tariff number	85363010
Country of origin	DE

F-MS 12 ST - Type 2 surge protection plug

2817990

<https://www.phoenixcontact.com/gb/products/2817990>

Technical data

Product properties

Product type	Replacement plug
Product family	VALVETRAB MS
IEC test classification	II
	T2
EN type	T2
IEC power supply system	TN
	TT
Type	Male
Number of positions	1
Surge protection fault message	optical
Arrester can be tested with CHECKMASTER from software version:	From SW rev. 1.10

Insulation characteristics

Overvoltage category	III
Pollution degree	2

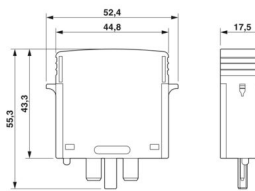
Electrical properties

Nominal frequency f_N	50 Hz (60 Hz)
-------------------------	---------------

Connection data

Connection method	pluggable
-------------------	-----------

Dimensions

Dimensional drawing	
Width	17.5 mm
Height	52.4 mm
Depth	55.3 mm
Horizontal pitch	1 Div.

Material specifications

Color	black (RAL 9005)
Flammability rating according to UL 94	V-0
CTI value of material	600
Insulating material	PA 6.6
Material group	I

F-MS 12 ST - Type 2 surge protection plug



2817990

<https://www.phoenixcontact.com/gb/products/2817990>

Housing material	PA 6.6
------------------	--------

Protective circuit

Mode of protection	N-PE
Direction of action	N-PE
Nominal voltage U_N	240/415 V AC (TN - only N-PE) 240/415 V AC (TT - only N-PE)
Nominal frequency f_N	50 Hz (60 Hz)
Maximum continuous operating voltage U_C	260 V AC
Protective conductor current I_{PE}	$\leq 5 \mu A$
Standby power consumption P_C	$\leq 1.5 \text{ mVA}$
Nominal discharge current I_n (8/20) μs	20 kA
Maximum discharge current I_{max} (8/20) μs	40 kA
Follow current interrupt rating I_{fi}	100 A (260 V)
Voltage protection level U_p	$\leq 1.5 \text{ kV}$
Residual voltage U_{res}	$\leq 0.4 \text{ kV}$ (at I_n) $\leq 0.25 \text{ kV}$ (at 10 kA) $\leq 0.15 \text{ kV}$ (at 5 kA) $\leq 0.1 \text{ kV}$ (at 3 kA)
Front-of-wave sparkover voltage at 6 kV (1.2/50) μs	$\leq 1.5 \text{ kV}$
TOV behavior at U_T	1200 V AC (200 ms / withstand mode)
Response time t_A	$\leq 100 \text{ ns}$

Additional technical data

Maximum continuous operating voltage U_C	305 V AC
Impulse discharge current (10/350) μs , charge	1.25 As
Impulse discharge current (10/350) μs , specific energy	1.56 kJ/ Ω
Impulse discharge current (10/350) μs , peak value I_{imp}	2.5 kA (3 x)

Environmental and real-life conditions

Ambient conditions

Degree of protection	IP20
Ambient temperature (operation)	-40 °C ... 80 °C
Ambient temperature (storage/transport)	-40 °C ... 80 °C
Altitude	$\leq 2000 \text{ m}$ (amsl)
Permissible humidity (operation)	5 % ... 95 %
Shock (operation)	25g (Half-sine / 11 ms / 3x $\pm X$, $\pm Y$, $\pm Z$)
Vibration (operation)	5g (10 ... 500 Hz / 2.5 h / X, Y, Z)

Approvals

UL specifications

Maximum continuous operating voltage MCOV (N-G)	260 V AC
Nominal discharge current I_n (N-G)	20 kA
Mode of protection	N-G

F-MS 12 ST - Type 2 surge protection plug



2817990

<https://www.phoenixcontact.com/gb/products/2817990>

Power distribution system	Single phase
Nominal frequency	50/60 Hz
Measured limiting voltage MLV (N-G)	1490 V
SPD Type	4CA

Standards and regulations

Standards/specifications	IEC 61643-11
Note	2011
Standards/specifications	EN 61643-11
Note	2012

Mounting

Mounting type	on base element
---------------	-----------------

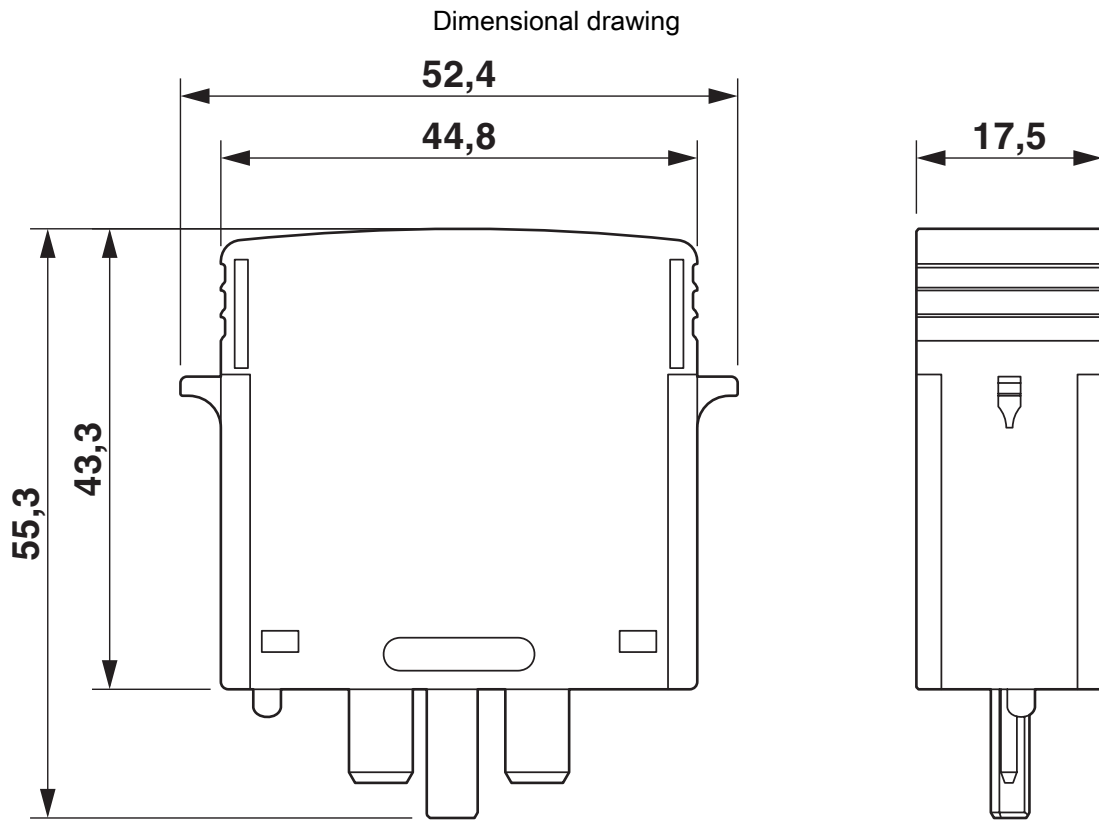
F-MS 12 ST - Type 2 surge protection plug

2817990

<https://www.phoenixcontact.com/gb/products/2817990>



Drawings



Circuit diagram



F-MS 12 ST - Type 2 surge protection plug



2817990

<https://www.phoenixcontact.com/gb/products/2817990>

Approvals

To download certificates, visit the product detail page: <https://www.phoenixcontact.com/gb/products/2817990>



cUL Recognized

Approval ID: FILE E 330181



UL Recognized

Approval ID: FILE E 330181



IECEE CB Scheme

Approval ID: AT 2905/M1

CCA

Approval ID: NTR-AT 1947-A



KEMA-KEUR

Approval ID: 71-148002



DNV GL

Approval ID: TAE000041M



CSA

Approval ID: 13631



ÖVE

Approval ID: 18583-001-17



ÖVE

Approval ID: 18583-001-18

F-MS 12 ST - Type 2 surge protection plug



2817990

<https://www.phoenixcontact.com/gb/products/2817990>

Classifications

ECLASS

ECLASS-13.0	27171292
ECLASS-15.0	27171292

ETIM

ETIM 10.0	EC002496
-----------	----------

UNSPSC

UNSPSC 21.0	39121600
-------------	----------

F-MS 12 ST - Type 2 surge protection plug



2817990

<https://www.phoenixcontact.com/gb/products/2817990>

Environmental product compliance

EU RoHS

Fulfills EU RoHS substance requirements	Yes, No exemptions
---	--------------------

China RoHS

Environment friendly use period (EFUP)	EFUP-E
	No hazardous substances above the limits

EU REACH SVHC

REACH candidate substance (CAS No.)	No substance above 0.1 wt%
-------------------------------------	----------------------------

EF3.1 Climate Change

CO2e kg	0.887 kg CO2e
---------	---------------

Phoenix Contact 2026 © - all rights reserved
<https://www.phoenixcontact.com>

PHOENIX CONTACT Ltd
Halesfield 13, Telford
Shropshire, TF7 4PG
01952 681700
info@phoenixcontact.co.uk