

VAL-MS 600DC-PV/2+V-FM - Type 2 surge arrester



2800641

<https://www.phoenixcontact.com/gb/products/2800641>

Please be informed that the data shown in this PDF document is generated from our online catalog. Please find the complete data in the user documentation. Our general terms of use for downloads are valid.



Surge protective device for 2-pos. isolated and grounded 600 V DC PV systems, for DIN rail mounting, 3-pos. base element with remote indication contact, three pluggable temperature-monitored protective elements, status message on each plug.

Your advantages

- Quality proven millions of times over in the widest range of applications
- Rapid installation with bridges, thanks to industry-standard overall width of 1 HP
- Easy testing and insulation measurement, thanks to pluggable protection modules
- Wide range of applications due to various nominal voltages
- High degree of modularity provides individual solutions for every application

Commercial data

Item number	2800641
Packing unit	1 pc
Minimum order quantity	1 pc
Note	Made to order (non-returnable)
Sales key	CL1324
Product key	CL1324
GTIN	4046356612562
Weight per piece (including packing)	317.2 g
Weight per piece (excluding packing)	314.37 g
Customs tariff number	85363010
Country of origin	DE

VAL-MS 600DC-PV/2+V-FM - Type 2 surge arrester



2800641

<https://www.phoenixcontact.com/gb/products/2800641>

Technical data

Notes

General

Note	The device is intended for touch proof installation in a housing. Ensure that there is a gap of at least 8 mm between the active and grounded parts in the connection area.
------	---

Product properties

Product type	PV arrester
Product family	VALVETRAB MS
IEC test classification	PV II PV T2
EN type	T2
IEC power supply system	DC
Type	DIN rail module, two-section, divisible
Distance between live and grounded parts	8 mm
Environment	Indoor
Installation location of the disconnect device	Internal
Accessibility	Accessible
Connection configuration	Y configuration
End-of-life mode	OCFM (Open-Circuit Failure Mode)
Surge protection fault message	Optical, remote indicator contact
Number of ports	One

Insulation characteristics

Overvoltage category	III
Pollution degree	2

Electrical properties

Indicator/remote signaling

Connection name	Remote fault indicator contact
Switching function	Changeover contact
Operating voltage	5 V AC ... 250 V AC 30 V DC
Operating current	5 mA AC ... 1.5 A AC 1 A DC

Connection data

Connection method	Screw connection
Screw thread	M5
Tightening torque	3 Nm (1.5 mm ² ... 16 mm ²) 4.5 Nm (25 mm ² ... 35 mm ²)
Stripping length	16 mm

VAL-MS 600DC-PV/2+V-FM - Type 2 surge arrester



2800641

<https://www.phoenixcontact.com/gb/products/2800641>

Conductor cross-section flexible	1.5 mm ² ... 25 mm ²
Conductor cross-section rigid	1.5 mm ² ... 35 mm ²
Conductor cross-section AWG	15 ... 2
Connection method	Fork-type cable lug
Conductor cross-section flexible	1.5 mm ² ... 16 mm ²

Remote fault indicator contact

Connection method	Plug-in/screw connection via COMBICON
Screw thread	M2
Tightening torque	0.25 Nm
Stripping length	7 mm
Conductor cross-section flexible	0.14 mm ² ... 1.5 mm ²
Conductor cross-section rigid	0.14 mm ² ... 1.5 mm ²
Conductor cross-section AWG	28 ... 16

Dimensions

Dimensional drawing	
Width	53.4 mm
Height	98.7 mm
Depth	65.7 mm (incl. DIN rail 7.5 mm)
Horizontal pitch	3 Div.

Material specifications

Color	black (RAL 9005)
Flammability rating according to UL 94	V-0
CTI value of material	600
Insulating material	PA 6.6-FR PBT-FR
Material group	I
Housing material	PA 6.6-FR PBT-FR

Mechanical properties

Mechanical data

Open side panel	No
-----------------	----

Protective circuit

Mode of protection	(L+) - (L-)
	(L+) - PE
	(L-) - PE

VAL-MS 600DC-PV/2+V-FM - Type 2 surge arrester



2800641

<https://www.phoenixcontact.com/gb/products/2800641>

Direction of action	(L+)-PE & (L-)-PE & (L+)-(L-)
Rated load current I_L	80 A
Protective conductor current I_{PE}	$\leq 20 \mu\text{A DC}$
	$\leq 300 \mu\text{A AC}$
Standby power consumption P_C	$\leq 20 \text{ mVA}$
Nominal discharge current I_n (8/20) μs	15 kA
Maximum discharge current I_{max} (8/20) μs	40 kA
Total discharge current I_{Total} (8/20) μs	40 kA
Voltage protection level U_p	$\leq 2.7 \text{ kV}$
Residual voltage U_{res}	$\leq 2.7 \text{ kV}$ (at I_n)
	$\leq 2.2 \text{ kV}$ (at 5 kA)
	$\leq 2.5 \text{ kV}$ (at 10 kA)
	$\leq 2.9 \text{ kV}$ (at 20 kA)
	$\leq 3.4 \text{ kV}$ (at 30 kA)
	$\leq 3.8 \text{ kV}$ (at 40 kA)
Response time t_A	$\leq 25 \text{ ns}$

PV protective circuit

Connection configuration	Y configuration
End-of-life mode	OCFM (Open-Circuit Failure Mode)

Protective circuit DC voltage side (DC)

Maximum continuous operating voltage U_{CPV}	800 V DC
Short-circuit current rating I_{SCPV}	2000 A
Open-circuit voltage U_{OCSTC}	$\leq 670 \text{ V DC}$
Maximum discharge current I_{max} (8/20) μs	40 kA
Response time t_A	$\leq 25 \text{ ns}$
Total discharge current I_{Total} (8/20) μs	40 kA
Insulation resistance R_{iso}	$> 5 \text{ G}\Omega$ (at 500 V DC)
Nominal discharge current I_n (8/20) μs	15 kA
Rated load current I_L	80 A
Continuous operating current I_{CPV}	20 μA
Maximum continuous operating voltage U_{CPV}	800 V DC
Short-circuit current rating I_{SCPV}	2000 A
Residual voltage U_{res}	$\leq 2.7 \text{ kV}$ (at I_n)
	$\leq 2.2 \text{ kV}$ (at 5 kA)
	$\leq 2.5 \text{ kV}$ (at 10 kA)
	$\leq 2.9 \text{ kV}$ (at 20 kA)
	$\leq 3.4 \text{ kV}$ (at 30 kA)
	$\leq 3.8 \text{ kV}$ (at 40 kA)
Protective conductor current I_{PE}	$\leq 20 \mu\text{A DC}$
	$\leq 300 \mu\text{A AC}$
Voltage protection level U_p	$\leq 2.7 \text{ kV}$
Standby power consumption P_C	$\leq 20 \text{ mVA}$

VAL-MS 600DC-PV/2+V-FM - Type 2 surge arrester



2800641

<https://www.phoenixcontact.com/gb/products/2800641>

Environmental and real-life conditions

Ambient conditions

Degree of protection	IP20 (only when all terminal points are used)
Ambient temperature (operation)	-40 °C ... 80 °C
Ambient temperature (storage/transport)	-40 °C ... 80 °C
Altitude	≤ 2000 m (amsl)
Permissible humidity (operation)	5 % ... 95 %
Shock (operation)	60g (Half-sine / 11 ms / 3x ±X, ±Y, ±Z)
Vibration (operation)	7.5g (5-500 Hz/2.5 h/XYZ)

Approvals

UL specifications

Maximum continuous operating voltage MCOV	800 V DC
Short-circuit current rating (SCCR)	50 kA
Voltage protection rating VPR	2 kV
Nominal discharge current I_n	20 kA
Mode of protection	(L+) - (L-) (L+) - G (L-) - G
Nominal voltage	800 V DC
Power distribution system	DC PV
SPD Type	1

UL indicator/remote signaling

Operating voltage	125 V AC
AC operating current	1 A AC

UL connection data

Tightening torque	30 lb _f -in.
Conductor cross-section AWG	14 ... 2

Standards and regulations

Standards/specifications	EN 61643-31
Note	2019
Standards/specifications	IEC 61643-31
Note	2018

Mounting

Mounting type	DIN rail: 35 mm
---------------	-----------------

VAL-MS 600DC-PV/2+V-FM - Type 2 surge arrester



2800641

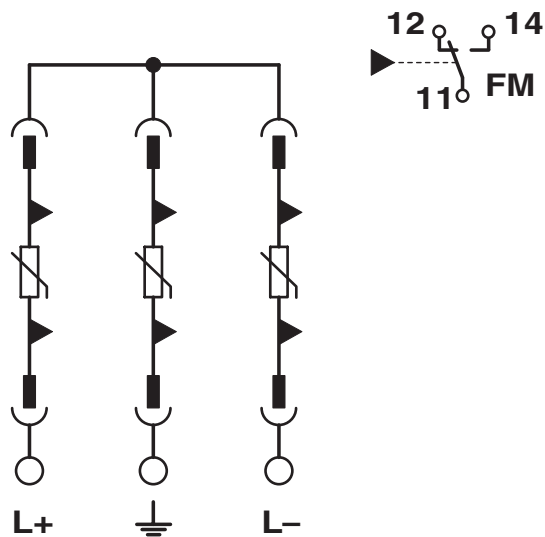
<https://www.phoenixcontact.com/gb/products/2800641>

Drawings

Dimensional drawing



Circuit diagram



VAL-MS 600DC-PV/2+V-FM - Type 2 surge arrester



2800641

<https://www.phoenixcontact.com/gb/products/2800641>

Approvals

To download certificates, visit the product detail page: <https://www.phoenixcontact.com/gb/products/2800641>



KEMA-KEUR

Approval ID: 71-123544 REV.3



UL Listed

Approval ID: FILE E 330181



cUL Listed

Approval ID: FILE E 330181



IECEE CB Scheme

Approval ID: NL-81006/A1

CCA

Approval ID: NTR-NL 7937

UAE-RoHS

Approval ID: 22-09-51251

VAL-MS 600DC-PV/2+V-FM - Type 2 surge arrester



2800641

<https://www.phoenixcontact.com/gb/products/2800641>

Classifications

ECLASS

ECLASS-13.0

27171402

ETIM

ETIM 9.0

EC000941

UNSPSC

UNSPSC 21.0

39121620

VAL-MS 600DC-PV/2+V-FM - Type 2 surge arrester



2800641

<https://www.phoenixcontact.com/gb/products/2800641>

Environmental product compliance

EU RoHS

Fulfills EU RoHS substance requirements	Yes, No exemptions
---	--------------------

China RoHS

Environment friendly use period (EFUP)	EFUP-E
	No hazardous substances above the limits

EU REACH SVHC

REACH candidate substance (CAS No.)	No substance above 0.1 wt%
-------------------------------------	----------------------------

Phoenix Contact 2026 © - all rights reserved
<https://www.phoenixcontact.com>

PHOENIX CONTACT Ltd
Halesfield 13, Telford
Shropshire, TF7 4PG
01952 681700
info@phoenixcontact.co.uk