

NEF 1- 3 - EMC filter

2794110

<https://www.phoenixcontact.com/gb/products/2794110>

Please be informed that the data shown in this PDF document is generated from our online catalog. Please find the complete data in the user documentation. Our general terms of use for downloads are valid.



Mains interference filter, with universal foot for mounting on NS 32 and NS 35/7.5, nominal current: 3 A

Your advantages

- Effective high-frequency interference attenuation with current-coupled coils and X and Y capacitors
- Space-saving and cost-saving with a compact design
- Versatile in use with universal circuit design

Commercial data

Item number	2794110
Packing unit	10 pc
Minimum order quantity	1 pc
Note	Made to order (non-returnable)
Sales key	CLC111
Product key	CLC111
GTIN	4017918072803
Weight per piece (including packing)	92.7 g
Weight per piece (excluding packing)	85.12 g
Customs tariff number	85363010
Country of origin	DE

NEF 1- 3 - EMC filter

2794110

<https://www.phoenixcontact.com/gb/products/2794110>

Technical data

Product properties

Product type	EMC filters
Product family	NEF
Type	DIN rail module, one-piece
Number of positions	2

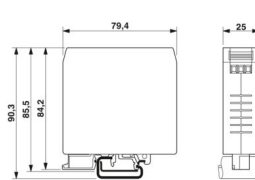
Electrical properties

Nominal frequency f_N	50 Hz (60 Hz)
Rated voltage	240 V AC (L-N)

Connection data

Connection method	Screw connection
Screw thread	M3
Tightening torque	0.8 Nm
Conductor cross-section flexible	0.2 mm ² ... 2.5 mm ²
Conductor cross-section rigid	0.2 mm ² ... 4 mm ²
Conductor cross-section AWG	24 ... 12

Dimensions

Dimensional drawing	
Width	25 mm
Height	79.4 mm
Depth	84.15 mm

Material specifications

Color	black (RAL 9005)
Flammability rating according to UL 94	V-2
Housing material	PA

Mechanical properties

Mechanical data

Open side panel	No
-----------------	----

Protective circuit

Direction of action	1L-N & N-PE
Maximum continuous operating voltage U_C	264 V AC (L-N) 264 V AC (L-PE)

NEF 1- 3 - EMC filter



2794110

<https://www.phoenixcontact.com/gb/products/2794110>

Nominal frequency f_N	50 Hz (60 Hz)
Rated current	3 A (40 °C)
Operating effective current I_C at U_C	≤ 0.25 mA
Protective conductor current I_{PE}	≤ 0.5 mA
Input attenuation aE, sym.	> 55 dB (50 Ω / 1 MHz)
Input attenuation aE, asym.	> 35 dB (50 Ω / 1 MHz)
Capacity	2x 100 nF (X2) 2x 2.2 nF (Y2)
Inductivity in series	2x 2.7 mH (with current compensation)
Max. required back-up fuse	3 A (gL)

Filter data

Discharge resistance	1 M Ω
----------------------	--------------

Environmental and real-life conditions

Ambient conditions

Degree of protection	IP20
Ambient temperature (operation)	-25 °C ... 100 °C (HMF)

Standards and regulations

Air clearances and creepage distances

Standards/regulations	IEC 60664-1 / VDE 0110-1
Standards/specifications	IEC 60939-2
Standards/specifications	EN 60939-2

Mounting

Mounting type	DIN rail: 35 mm
---------------	-----------------

NEF 1- 3 - EMC filter

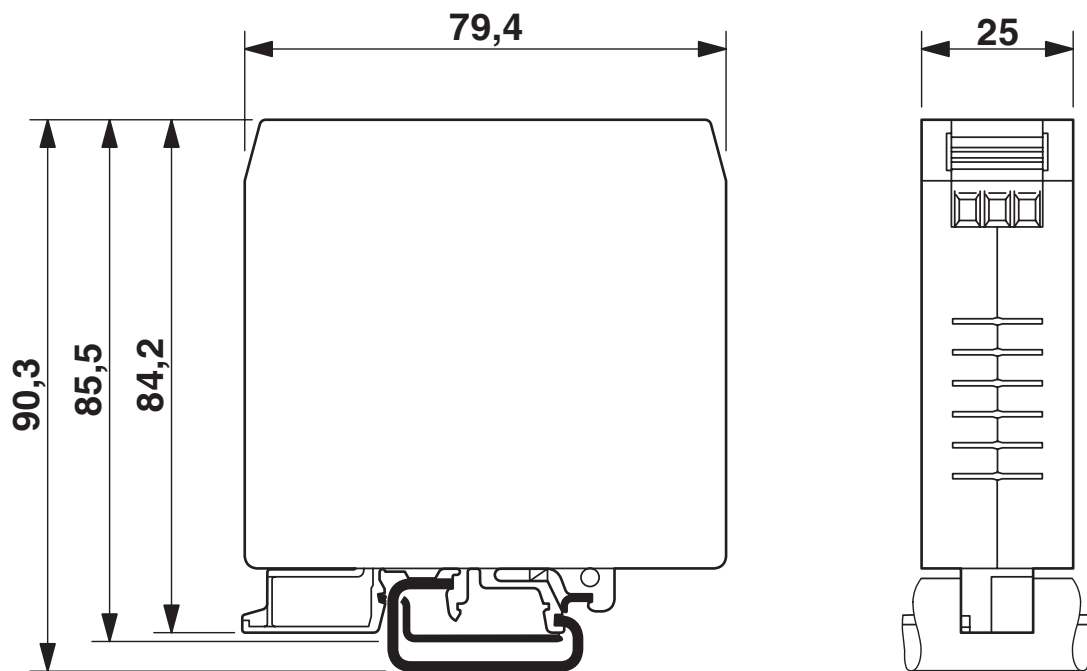
2794110

<https://www.phoenixcontact.com/gb/products/2794110>



Drawings

Dimensional drawing



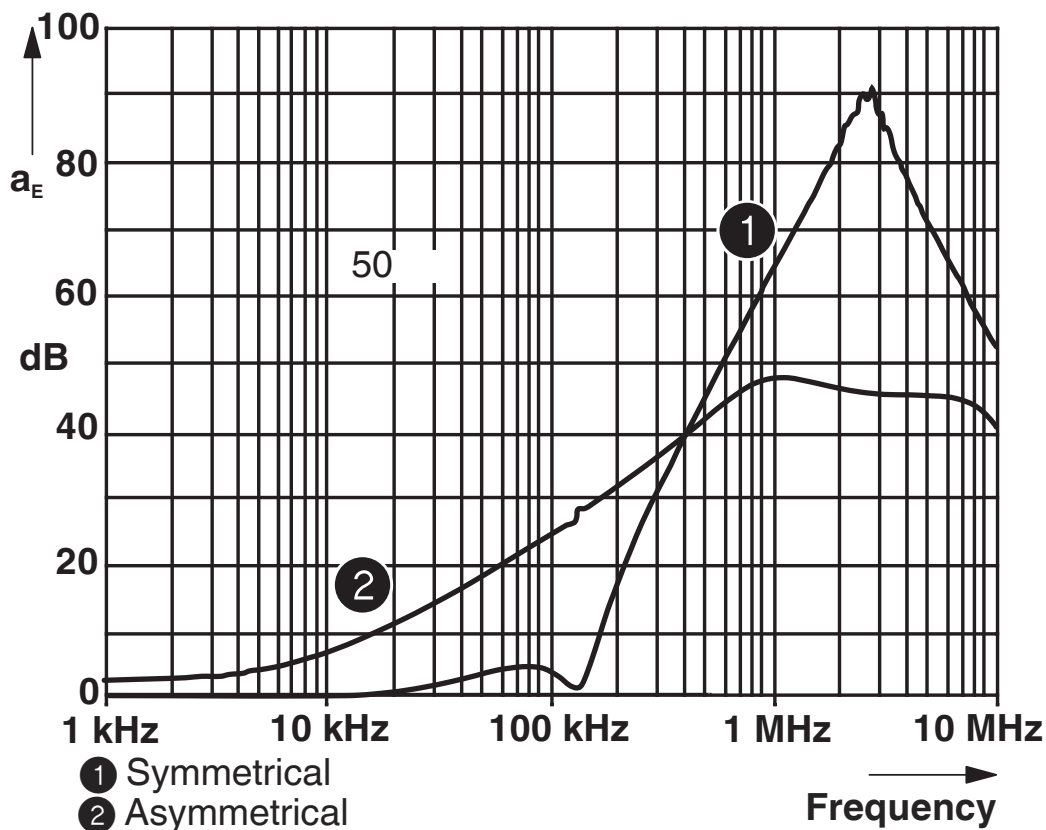
NEF 1- 3 - EMC filter

2794110

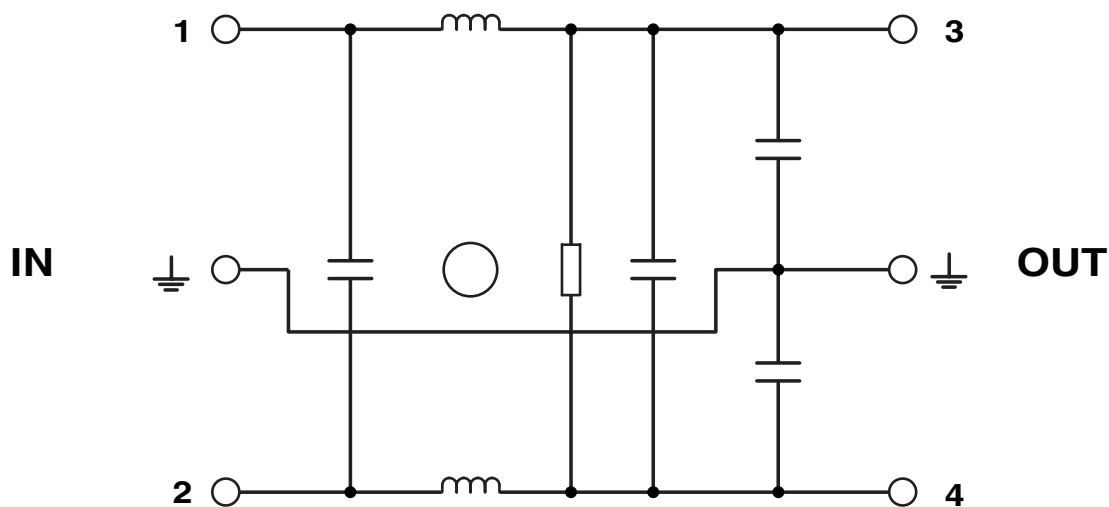
<https://www.phoenixcontact.com/gb/products/2794110>



Diagram



Circuit diagram



NEF 1- 3 - EMC filter

2794110

<https://www.phoenixcontact.com/gb/products/2794110>



Classifications

UNSPSC

UNSPSC 21.0	39121600
-------------	----------

NEF 1- 3 - EMC filter



2794110

<https://www.phoenixcontact.com/gb/products/2794110>

Environmental product compliance

EU RoHS

Fulfills EU RoHS substance requirements	Yes, No exemptions
---	--------------------

China RoHS

Environment friendly use period (EFUP)	EFUP-E
	No hazardous substances above the limits

EU REACH SVHC

REACH candidate substance (CAS No.)	No substance above 0.1 wt%
-------------------------------------	----------------------------

Phoenix Contact 2026 © - all rights reserved
<https://www.phoenixcontact.com>

PHOENIX CONTACT Ltd
Halesfield 13, Telford
Shropshire, TF7 4PG
01952 681700
info@phoenixcontact.co.uk