

# UEG 20 - Electronics housing

2790211

<https://www.phoenixcontact.com/gb/products/2790211>

Please be informed that the data shown in this PDF document is generated from our online catalog. Please find the complete data in the user documentation. Our general terms of use for downloads are valid.

Electronic housing, for PCB insertion, fully equipped with 4 screw or tab connections per side



## Commercial data

Item number	2790211
Packing unit	10 pc
Minimum order quantity	10 pc
Sales key	ACHCCA
Product key	ACHCCA
GTIN	4017918072292
Weight per piece (including packing)	48.043 g
Weight per piece (excluding packing)	42.9 g
Customs tariff number	85369010
Country of origin	DE

## Technical data

### Product properties

Product type	Complete housing
Housing type	Component housing
Housing series	UEG
Product family	UEG
Type	Connection system integrated, housing closed
Number of positions	8
Pitch	5 mm
Number of rows	2
Ventilation openings present	no
Pin layout	Linear pinning

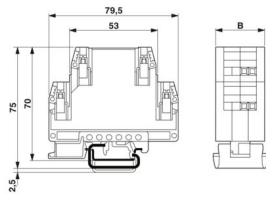
### Electrical properties

Nominal voltage $U_N$	500 V (Voltage and current values are affected by the configuration of the printed circuit board.)
Nominal current $I_N$	10 A

### Connection data

Connection method	Screw connection
-------------------	------------------

### Dimensions

Dimensional drawing	
Width	20 mm
Installed height	70 mm
Height NS 35/7,5	70 mm
Depth	79.5 mm
Pitch	5 mm

### Material specifications

Color (Housing)	green (RAL 6021)
Material Housing	PA
Flammability rating according to UL 94	V0

### Environmental and real-life conditions

#### Power dissipation single housing for 20 °C

Ambient temperature	20 °C
---------------------	-------

# UEG 20 - Electronics housing



2790211

<https://www.phoenixcontact.com/gb/products/2790211>

Reduction factor	1
------------------	---

## Power dissipation single housing for 30 °C

Ambient temperature	30 °C
Reduction factor	0.78

## Power dissipation single housing for 40 °C

Ambient temperature	40 °C
Reduction factor	0.61

## Power dissipation single housing for 50 °C

Ambient temperature	50 °C
Reduction factor	0.48

## Power dissipation single housing for 60 °C

Ambient temperature	60 °C
Reduction factor	0.37

## Ambient conditions

Ambient temperature (operation)	-40 °C ... 105 °C (depending on power dissipation)
Ambient temperature (storage/transport)	-40 °C ... 70 °C
Ambient temperature (assembly)	-5 °C ... 100 °C

## Mounting

Mounting type	DIN rail mounting
Pin layout	Linear pinning

# UEG 20 - Electronics housing

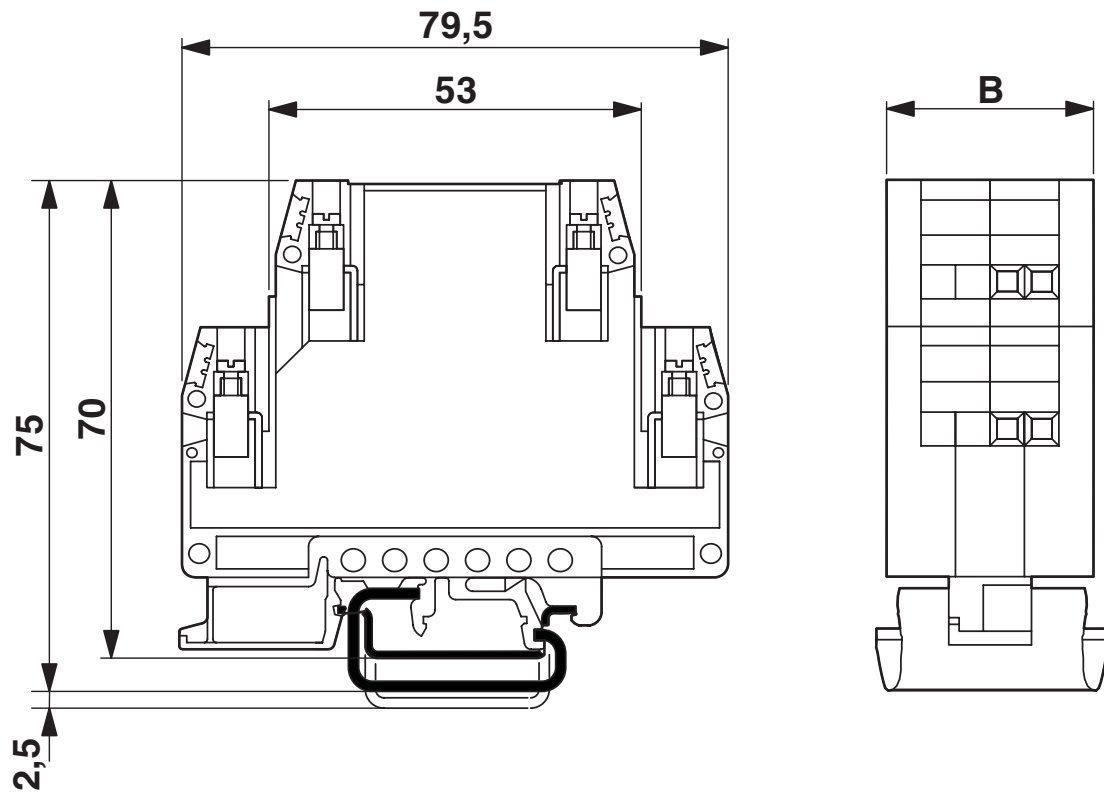
2790211

<https://www.phoenixcontact.com/gb/products/2790211>



## Drawings

Dimensional drawing

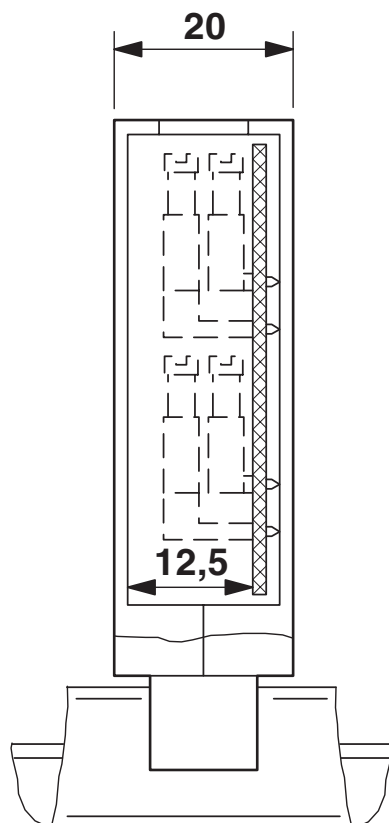


# UEG 20 - Electronics housing

2790211

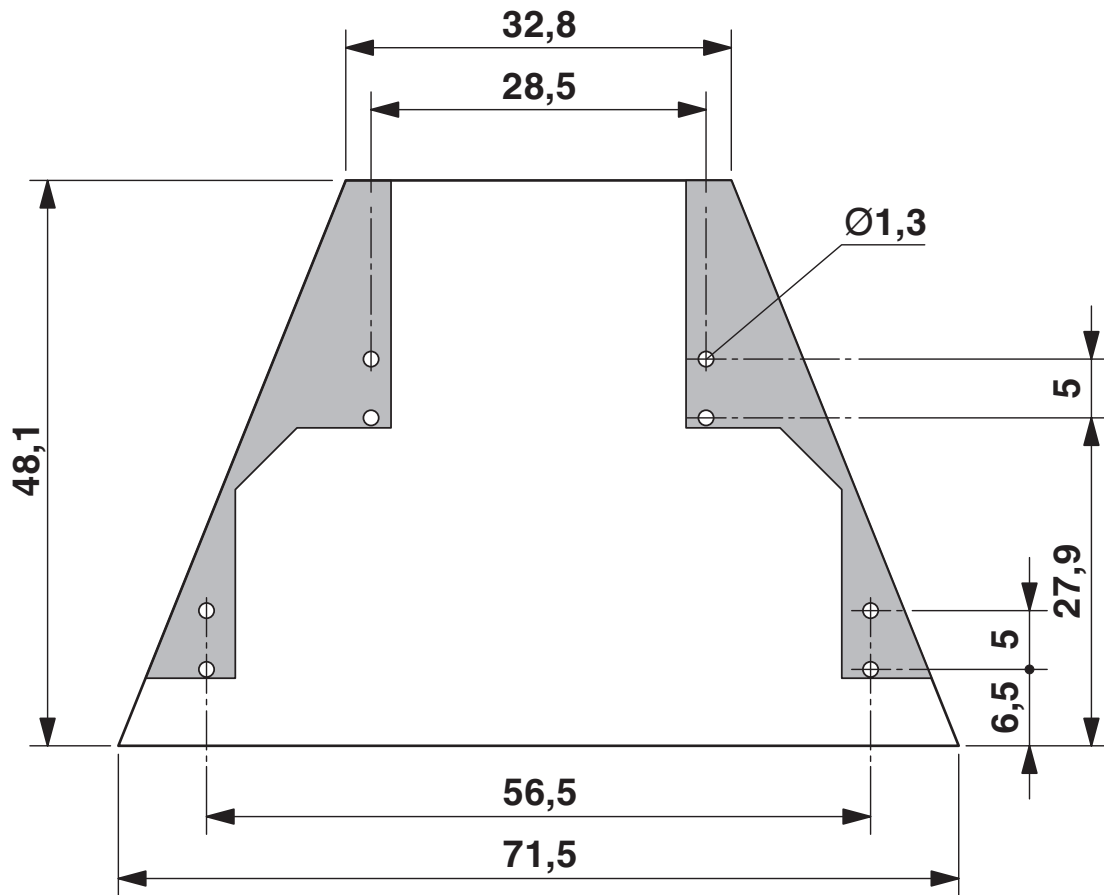
<https://www.phoenixcontact.com/gb/products/2790211>

Dimensional drawing

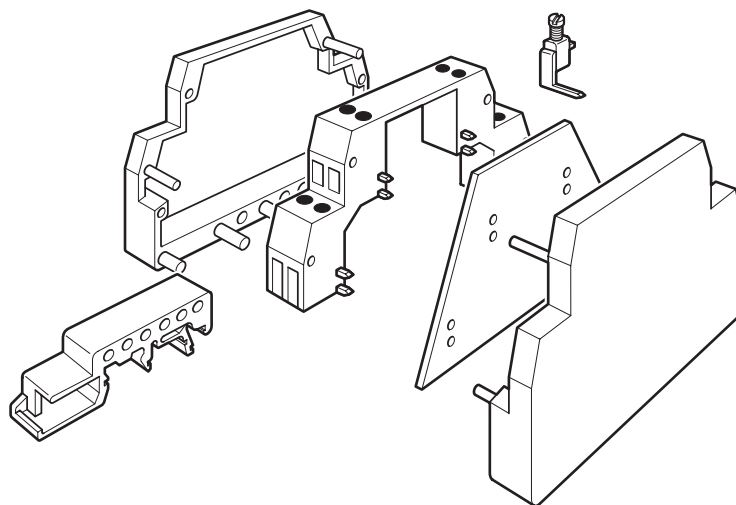


UEG 20 with 1 PCB, up to max. 8 pos.

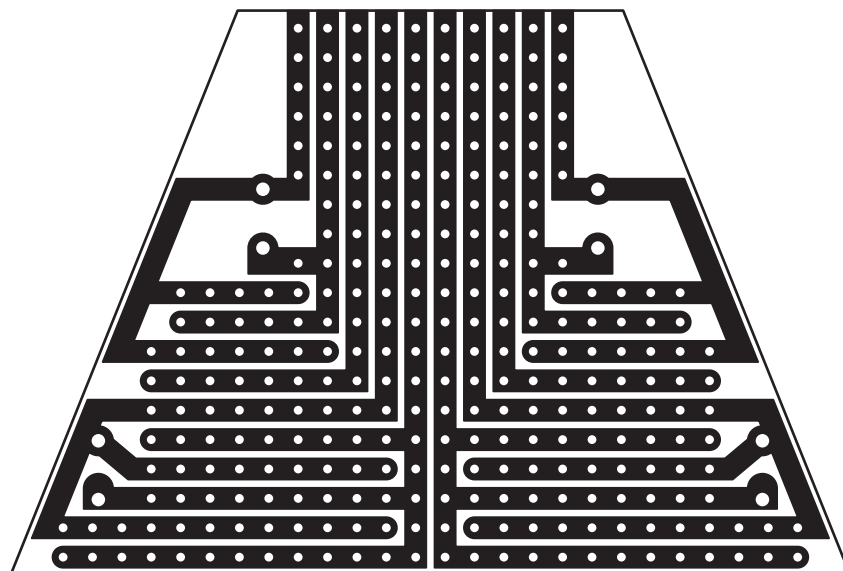
Dimensional drawing



Exploded view



Schematic diagram




2790211

<https://www.phoenixcontact.com/gb/products/2790211>

## Approvals

To download certificates, visit the product detail page: <https://www.phoenixcontact.com/gb/products/2790211>

 <b>cULus Recognized</b> Approval ID: E60425-19770427		Nominal voltage $U_N$	Nominal current $I_N$	Cross section AWG	Cross section $\text{mm}^2$
B		300 V	10 A	30 - 12	-
D		300 V	10 A	30 - 12	-

2790211

<https://www.phoenixcontact.com/gb/products/2790211>

## Classifications

### ECLASS

ECLASS-13.0	27190501
ECLASS-15.0	27190501

### ETIM

ETIM 10.0	EC001031
-----------	----------

### UNSPSC

UNSPSC 21.0	31261500
-------------	----------

# UEG 20 - Electronics housing



2790211

<https://www.phoenixcontact.com/gb/products/2790211>

## Environmental product compliance

### EU RoHS

Fulfills EU RoHS substance requirements	Yes, No exemptions
---	--------------------

### China RoHS

Environment friendly use period (EFUP)	EFUP-E
	No hazardous substances above the limits

### EU REACH SVHC

REACH candidate substance (CAS No.)	No substance above 0.1 wt%
-------------------------------------	----------------------------

Phoenix Contact 2026 © - all rights reserved  
<https://www.phoenixcontact.com>

PHOENIX CONTACT Ltd  
Halesfield 13, Telford  
Shropshire, TF7 4PG  
01952 681700  
[info@phoenixcontact.co.uk](mailto:info@phoenixcontact.co.uk)