

G 5/ 4 - Device terminal block

2716046

<https://www.phoenixcontact.com/gb/products/2716046>

Please be informed that the data shown in this PDF document is generated from our online catalog. Please find the complete data in the user documentation. Our general terms of use for downloads are valid.



The figure shows a combination of versions G 5/2, G 5/3 and G 5/4

Device terminal block, nom. voltage: 500 V, nominal current: 32 A, number of connections: 8, number of positions: 4, connection method: Screw connection, Rated cross section: 4 mm², cross section: 0.2 mm² - 4 mm², mounting type: direct screw connection, color: gray

Your advantages

- Touch-proof shock protection

Commercial data

| | |
|--------------------------------------|---------------|
| Item number | 2716046 |
| Packing unit | 50 pc |
| Minimum order quantity | 50 pc |
| Sales key | BE1265 |
| Product key | BE1265 |
| GTIN | 4017918061784 |
| Weight per piece (including packing) | 28.774 g |
| Weight per piece (excluding packing) | 28.715 g |
| Customs tariff number | 85369010 |
| Country of origin | TR |

G 5/ 4 - Device terminal block

2716046

<https://www.phoenixcontact.com/gb/products/2716046>

Technical data

Product properties

| | |
|-----------------------|-----------------------------|
| Product type | Feed-through terminal block |
| Product family | G |
| Number of positions | 4 |
| Number of connections | 8 |
| Number of rows | 1 |
| Potentials | 4 |

Insulation characteristics

| | |
|----------------------|-----|
| Overvoltage category | III |
| Degree of pollution | 3 |

Electrical properties

| | |
|---|--------|
| Rated surge voltage | 6 kV |
| Maximum power dissipation for nominal condition | 1.02 W |

Connection data

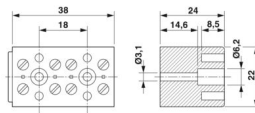
| | |
|---|---|
| Number of connections per level | 8 |
| Nominal cross section | 4 mm ² |
| Connection method | Screw connection |
| Screw thread | M3 |
| Tightening torque | 0.6 ... 0.8 Nm |
| Stripping length | 8 mm |
| Internal cylindrical gage | A3 |
| Connection in acc. with standard | IEC 60947-7-1 |
| Conductor cross-section rigid | 0.2 mm ² ... 4 mm ² |
| Cross section AWG | 24 ... 12 (converted acc. to IEC) |
| Conductor cross-section flexible | 0.2 mm ² ... 4 mm ² |
| Conductor cross-section, flexible [AWG] | 24 ... 12 (converted acc. to IEC) |
| Conductor cross-section flexible (ferrule without plastic sleeve) | 0.25 mm ² ... 4 mm ² |
| Flexible conductor cross-section (ferrule with plastic sleeve) | 0.25 mm ² ... 2.5 mm ² |
| 2 conductors with same cross section, rigid | 0.2 mm ² ... 1.5 mm ² |
| 2 conductors with same cross section, flexible | 0.2 mm ² ... 1.5 mm ² |
| 2 conductors with same cross section, flexible, with ferrule without plastic sleeve | 0.25 mm ² ... 1.5 mm ² |
| 2 conductors with the same cross section, flexible, with TWIN ferrule with plastic sleeve | 0.5 mm ² ... 1 mm ² |
| Nominal cross section | 4 mm ² |
| Nominal current | 32 A |
| Maximum load current | 32 A (with 4 mm ² conductor cross-section) |
| Nominal voltage | 500 V |

Dimensions

G 5/ 4 - Device terminal block

2716046

<https://www.phoenixcontact.com/gb/products/2716046>

| | |
|---------------------|--|
| Dimensional drawing |  |
| Width | 38 mm |
| Height | 22 mm |
| Depth | 24 mm |
| Hole diameter | 3.2 mm |

Material specifications

| | |
|---|-----------------|
| Color | gray (RAL 7042) |
| Flammability rating according to UL 94 | V0 |
| Insulating material group | I |
| Insulating material | PA |
| Static insulating material application in cold | -60 °C |
| Temperature index of insulation material (DIN EN 60216-1 (VDE 0304-21)) | 130 °C |
| Relative insulation material temperature index (Elec., UL 746 B) | 130 °C |
| Fire protection for rail vehicles (DIN EN 45545-2) R22 | HL 1 - HL 3 |
| Fire protection for rail vehicles (DIN EN 45545-2) R23 | HL 1 - HL 3 |
| Fire protection for rail vehicles (DIN EN 45545-2) R24 | HL 1 - HL 3 |
| Fire protection for rail vehicles (DIN EN 45545-2) R26 | HL 1 - HL 3 |
| Calorimetric heat release NFPA 130 (ASTM E 1354) | 28 MJ/kg |
| Surface flammability NFPA 130 (ASTM E 162) | passed |
| Specific optical density of smoke NFPA 130 (ASTM E 662) | passed |
| Smoke gas toxicity NFPA 130 (SMP 800C) | passed |

Electrical tests

Surge voltage test

| | |
|-----------------------|-------------|
| Test voltage setpoint | 7.3 kV |
| Result | Test passed |

Temperature-rise test

| | |
|--|-------------------------------------|
| Requirement temperature-rise test | Increase in temperature ≤ 45 K |
| Result | Test passed |
| Short-time withstand current 4 mm ² | 0.48 kA |
| Result | Test passed |

Power-frequency withstand voltage

| | |
|-----------------------|-------------|
| Test voltage setpoint | 1.89 kV |
| Result | Test passed |

Mechanical properties

General

G 5/ 4 - Device terminal block



2716046

<https://www.phoenixcontact.com/gb/products/2716046>

| | |
|-------------------------|--|
| Terminal block mounting | When attaching the product to the mounting surface, please ensure that the housing is not damaged when tightening the center screw |
|-------------------------|--|

Mechanical data

| | |
|-----------------|----|
| Open side panel | No |
|-----------------|----|

Mechanical tests

Mechanical strength

| | |
|--------|-------------|
| Result | Test passed |
|--------|-------------|

Test for conductor damage and slackening

| | |
|--------------------------------|------------------------------|
| Rotation speed | 10 rpm |
| Revolutions | 135 |
| Conductor cross-section/weight | 0.2 mm ² / 0.2 kg |
| | 1.5 mm ² / 0.4 kg |
| | 4 mm ² / 0.9 kg |
| Result | Test passed |

Environmental and real-life conditions

Needle-flame test

| | |
|------------------|-------------|
| Time of exposure | 30 s |
| Result | Test passed |

Ambient conditions

| | |
|--|--|
| Ambient temperature (operation) | -60 °C ... 110 °C (Operating temperature range incl. self-heating; for max. short-term operating temperature, see RTI Elec.) |
| Ambient temperature (storage/transport) | -25 °C ... 60 °C (for a short time, not exceeding 24 h, -60 °C to +70 °C) |
| Ambient temperature (assembly) | -5 °C ... 70 °C |
| Ambient temperature (actuation) | -5 °C ... 70 °C |
| Permissible humidity (operation) | 20 % ... 90 % |
| Permissible humidity (storage/transport) | 30 % ... 70 % |

Standards and regulations

| | |
|----------------------------------|---------------|
| Connection in acc. with standard | IEC 60947-7-1 |
|----------------------------------|---------------|

Mounting

| | |
|-------------------------|--|
| Mounting type | direct screw connection |
| Terminal block mounting | When attaching the product to the mounting surface, please ensure that the housing is not damaged when tightening the center screw |

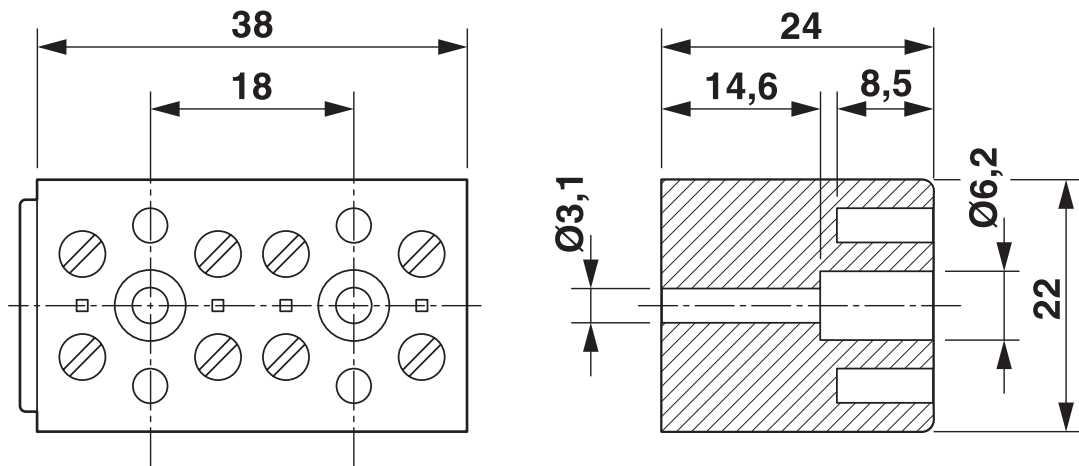
G 5/ 4 - Device terminal block

2716046

<https://www.phoenixcontact.com/gb/products/2716046>

Drawings

Dimensional drawing



Circuit diagram



G 5/ 4 - Device terminal block





2716046


<https://www.phoenixcontact.com/gb/products/2716046>


Approvals

To download certificates, visit the product detail page: <https://www.phoenixcontact.com/gb/products/2716046>

|  CSA Approval ID: 13631 | | | | |
|--|-----------------------|-----------------------|-------------------|----------------------|
| | Nominal voltage U_N | Nominal current I_N | Cross section AWG | Cross section mm^2 |
| keine | | | | |
| | 300 V | 30 A | 26 - 10 | - |

|  cULus Recognized Approval ID: E60425 | | | | |
|--|-----------------------|-----------------------|-------------------|----------------------|
| | Nominal voltage U_N | Nominal current I_N | Cross section AWG | Cross section mm^2 |
| B | | | | |
| | 300 V | 30 A | 26 - 10 | - |

|  ClassNK Approval ID: 09 ME 142 | | | | |
|--|--|--|--|--|
|--|--|--|--|--|

|  EAC Approval ID: KZ7500651131219505 | | | | |
|---|--|--|--|--|
|---|--|--|--|--|

G 5/ 4 - Device terminal block



2716046

<https://www.phoenixcontact.com/gb/products/2716046>

Classifications

ECLASS

| | |
|-------------|----------|
| ECLASS-13.0 | 27141106 |
| ECLASS-15.0 | 27141106 |

ETIM

| | |
|-----------|----------|
| ETIM 10.0 | EC001284 |
|-----------|----------|

UNSPSC

| | |
|-------------|----------|
| UNSPSC 21.0 | 39121400 |
|-------------|----------|

G 5/ 4 - Device terminal block



2716046

<https://www.phoenixcontact.com/gb/products/2716046>

Environmental product compliance

EU RoHS

| | |
|---|------|
| Fulfills EU RoHS substance requirements | Yes |
| Exemption | 6(c) |

China RoHS

| | |
|--|---|
| Environment friendly use period (EFUP) | EFUP-50 |
| | An article-related China RoHS declaration table can be found in the download area for the respective article under "Manufacturer declaration". For all articles with EFUP-E, no China RoHS declaration table issued and required. |

EU REACH SVHC

| | |
|-------------------------------------|--------------------------------------|
| REACH candidate substance (CAS No.) | Lead(CAS: 7439-92-1) |
| SCIP | afaf3197-00b5-42fb-b913-1cf17be21855 |

EF3.1 Climate Change

| | |
|---------|---------------|
| CO2e kg | 0.117 kg CO2e |
|---------|---------------|

Phoenix Contact 2026 © - all rights reserved
<https://www.phoenixcontact.com>

PHOENIX CONTACT Ltd
Halesfield 13, Telford
Shropshire, TF7 4PG
01952 681700
info@phoenixcontact.co.uk