

# AXL F BK SAS - Bus coupler



2701457

<https://www.phoenixcontact.com/gb/products/2701457>

Please be informed that the data shown in this PDF document is generated from our online catalog. Please find the complete data in the user documentation. Our general terms of use for downloads are valid.



Axioline F, Bus coupler, Ethernet (IEC 61850, MMS, GOOSE), RJ45 jack, transmission speed in the local bus: 100 Mbps, degree of protection: IP20, including bus base module and Axioline F connector

## Product description

The bus coupler is intended for use within an Ethernet network (IEC 61850, MMS, GOOSE). The bus coupler creates the link to the Axioline F I/O system and the industrial I/O signals connected to it. Up to 63 Axioline F devices can be connected to the bus coupler.

## Your advantages

- 2 Ethernet ports (with integrated switch)
- Transmission speed of 10 Mbps and 100 Mbps
- Rotary coding switches for setting the IP address assignment and other functions
- Supports IEC 61850, MMS, and GOOSE
- BootP and DHCP
- Firmware can be updated
- Web-based management
- Supports operation of the digital and analog modules of the Axioline F and Axioline SE product families

## Commercial data

Item number	2701457
Packing unit	1 pc
Minimum order quantity	1 pc
Note	Made to order (non-returnable)
Sales key	DRI21G
Product key	DRI21G
GTIN	4046356753982
Weight per piece (including packing)	232.2 g
Weight per piece (excluding packing)	177 g
Customs tariff number	85389091
Country of origin	DE

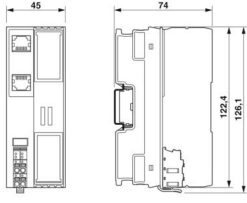
# AXL F BK SAS - Bus coupler

2701457

<https://www.phoenixcontact.com/gb/products/2701457>

## Technical data

### Dimensions

Dimensional drawing	
Width	45 mm
Height	126.1 mm
Depth	74 mm
Note on dimensions	The depth applies when a TH 35-7.5 DIN rail is used (in accordance with EN 60715).

### Notes

Note on application	
Note on application	Only for industrial use

### Material specifications

Color (Housing)	gray (RAL 7042)
-----------------	-----------------

### Interfaces

Supported protocols	MMS
	GOOSE
	SNMP
	HTTP
	TFTP
	FTP
	BootP
	DHCP
SNTP	

#### Ethernet (IEC 61850, MMS, GOOSE)

Number of interfaces	2
Connection method	RJ45 jack
Note on the connection method	Auto negotiation and autocrossing
Transmission speed	10/100 Mbps (Half or full duplex mode (automatic detection, can be adjusted manually))
Transmission physics	Ethernet in RJ45 twisted pair

#### Axioline F local bus

Number of interfaces	1
Connection method	Bus base module

Transmission speed	100 Mbps
--------------------	----------

#### Service

Number of interfaces	1
Connection method	Micro USB type B

### System properties

#### System limits

Number of supported devices	max. 63 (per station)
Number of local bus devices that can be connected	max. 63

#### Programming data

Register length (master)	1484 Byte
--------------------------	-----------

### Product properties

Product type	I/O component
Product family	Axioline F
Type	block modular
Mounting position	any (observe temperature derating)
Scope of supply	including bus base module and Axioline F connector

#### Insulation characteristics

Overvoltage category	II (IEC 60664-1, EN 60664-1)
Pollution degree	2 (IEC 60664-1, EN 60664-1)

### Electrical properties

Maximum power dissipation for nominal condition	3.7 W
---	-------

Potentials: Communications power  $U_L$  feed-in (the supply of the Axioline F local bus  $U_{BUS}$  is generated from  $U_L$ )

Supply voltage	24 V DC
Supply voltage range	19.2 V DC ... 30 V DC (including all tolerances, including ripple)
Current draw	max. 570 mA (with 2 A at $U_{BUS}$ for the I/Os and $U_L = 24$ V)
Current consumption	typ. 105 mA (without I/Os and $U_L = 24$ V)
Protective circuit	Surge protection; electronic
	Reverse polarity protection; electronic

Potentials: Axioline F local bus supply ( $U_{BUS}$ )

Supply voltage	5 V DC (via bus base module)
Power supply unit	2 A

#### Electrical isolation/isolation of the voltage ranges

Test voltage: Ethernet interface 1 / Ethernet interface 2	1500 V AC, 50 Hz, 1 min
Test voltage: Ethernet interface 1 / 24 V communications voltage ( $U_L$ feed-in)	1500 V AC, 50 Hz, 1 min
Test voltage: Ethernet interface 2 / 24 V communications voltage ( $U_L$ feed-in)	1500 V AC, 50 Hz, 1 min
Test voltage: Ethernet interface 1 / functional ground	1500 V AC, 50 Hz, 1 min

# AXL F BK SAS - Bus coupler



2701457

<https://www.phoenixcontact.com/gb/products/2701457>

Test voltage: Ethernet interface 2 / functional ground	1500 V AC, 50 Hz, 1 min
Test voltage: 24 V communications voltage (U <sub>L</sub> ) feed-in / functional ground	500 V AC, 50 Hz, 1 min

## Connection data

### Connection technology

Connection name	Axioline F connector
Note on the connection method	Please observe the information provided on conductor cross-sections in the "Axioline F: system and installation" user manual.

### Axioline F connector

Connection method	Push-in connection
Note on the connection method	Please observe the information provided on conductor cross-sections in the "Axioline F: system and installation" user manual.
Conductor cross-section, rigid	0.2 mm <sup>2</sup> ... 1.5 mm <sup>2</sup>
Conductor cross-section, flexible	0.2 mm <sup>2</sup> ... 1.5 mm <sup>2</sup>
Conductor cross-section AWG	24 ... 16
Stripping length	8 mm

## Environmental and real-life conditions

### Ambient conditions

Ambient temperature (operation)	-25 °C ... 60 °C (Mounting position: panel mounting on horizontal DIN rail) -25 °C ... 55 °C (Mounting position: any)
Degree of protection	IP20
Air pressure (operation)	70 kPa ... 106 kPa (up to 3000 m above sea level)
Air pressure (storage/transport)	70 kPa ... 106 kPa (up to 3000 m above sea level)
Ambient temperature (storage/transport)	-40 °C ... 85 °C
Permissible humidity (operation)	5 % ... 95 % (non-condensing)
Permissible humidity (storage/transport)	5 % ... 95 % (non-condensing)

### Mechanical test

Vibration resistance in accordance with EN 60068-2-6/IEC 60068-2-6	5g
Shock in accordance with EN 60068-2-27/IEC 60068-2-27	30g
Continuous shock in accordance with EN 60068-2-27/IEC 60068-2-27	10g

## Standards and regulations

Protection class	III (IEC 61140, EN 61140, VDE 0140-1)
------------------	---------------------------------------

## Mounting

Mounting type	DIN rail mounting
Mounting position	any (observe temperature derating)

# AXL F BK SAS - Bus coupler

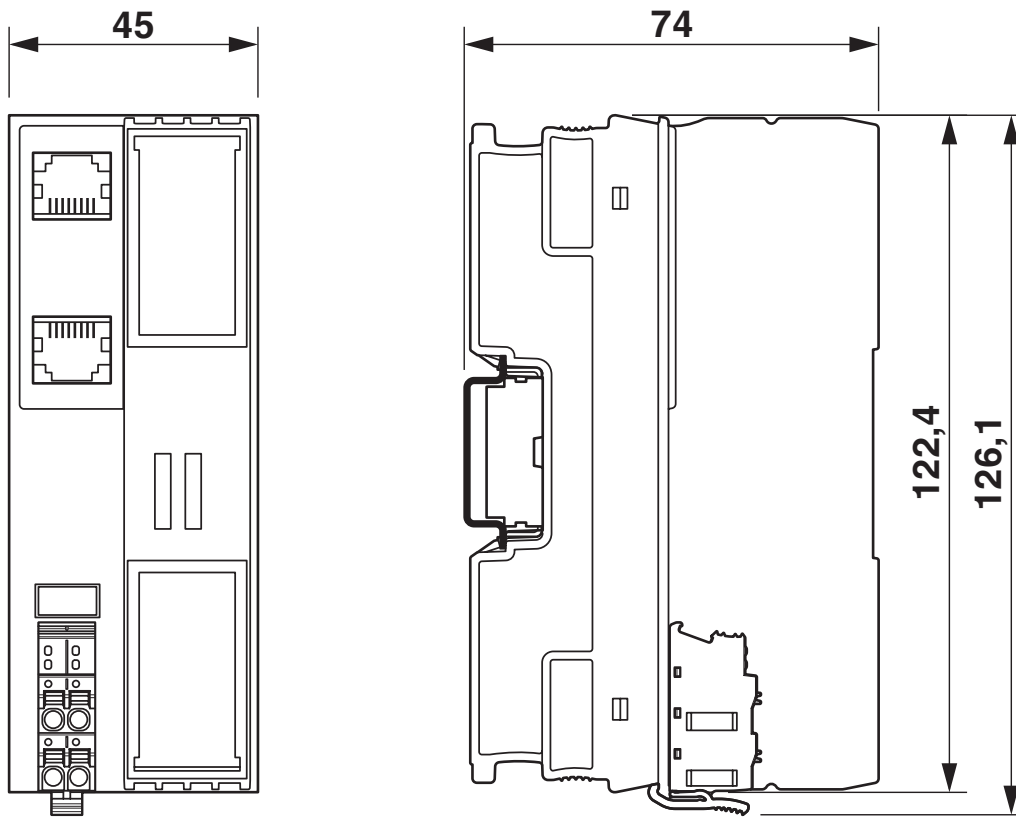
2701457

<https://www.phoenixcontact.com/gb/products/2701457>

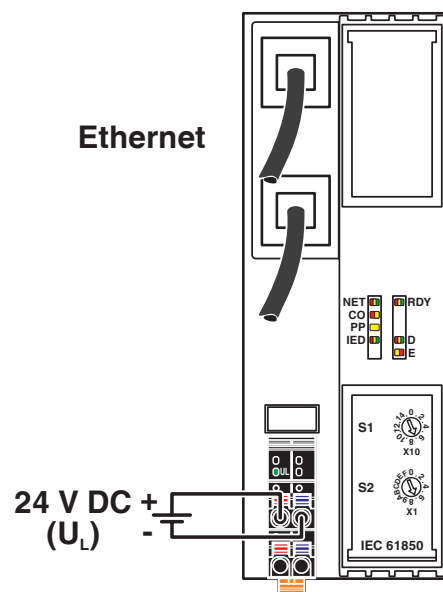


## Drawings

Dimensional drawing



Connection diagram



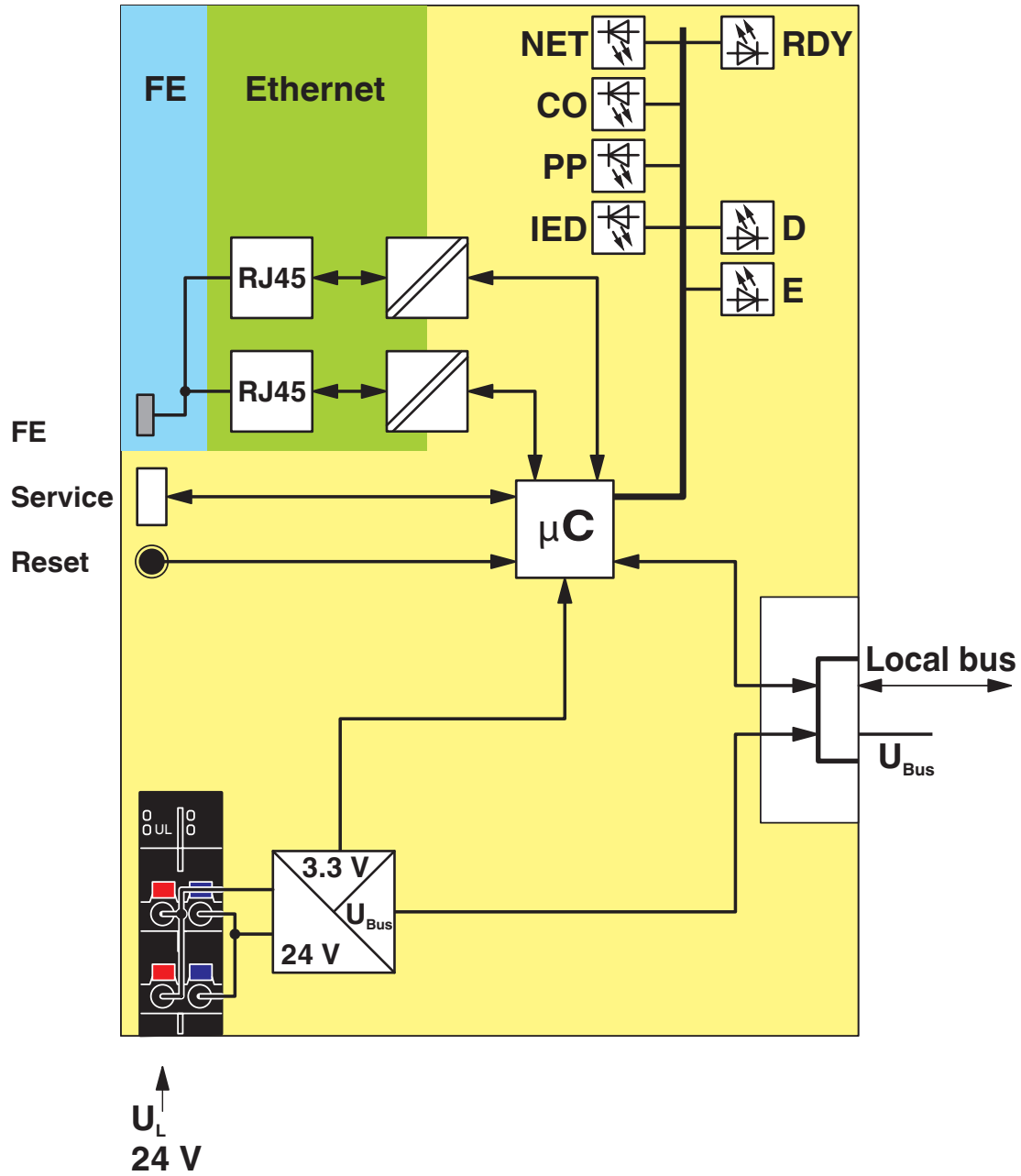
# AXL F BK SAS - Bus coupler

2701457

<https://www.phoenixcontact.com/gb/products/2701457>



Block diagram



Internal wiring of the terminal points

# AXL F BK SAS - Bus coupler



2701457

<https://www.phoenixcontact.com/gb/products/2701457>

## Classifications

### ECLASS

ECLASS-13.0

27242608

### ETIM

ETIM 9.0

EC001604

### UNSPSC

UNSPSC 21.0

32151600

2701457

<https://www.phoenixcontact.com/gb/products/2701457>

## Environmental product compliance

### EU RoHS

Fulfills EU RoHS substance requirements	Yes
Exemption	7(a), 7(c)-I

### China RoHS

Environment friendly use period (EFUP)	EFUP-50
	An article-related China RoHS declaration table can be found in the download area for the respective article under "Manufacturer declaration". For all articles with EFUP-E, no China RoHS declaration table issued and required.

### EU REACH SVHC

REACH candidate substance (CAS No.)	4,4'-isopropylidenediphenol(CAS: 80-05-7)
	Lead(CAS: 7439-92-1)
SCIP	48767cd9-b280-46ad-bfc4-27ffe5881112

Phoenix Contact 2026 © - all rights reserved  
<https://www.phoenixcontact.com>

PHOENIX CONTACT Ltd  
Halesfield 13, Telford  
Shropshire, TF7 4PG  
01952 681700  
[info@phoenixcontact.co.uk](mailto:info@phoenixcontact.co.uk)