

PSR-MC60-2NO-1DO-24DC-SC - Safety relays



2700571

<https://www.phoenixcontact.com/gb/products/2700571>

Please be informed that the data shown in this PDF document is generated from our online catalog. Please find the complete data in the user documentation. Our general terms of use for downloads are valid.



Safety relay for two-hand controls in accordance with ISO 13851 type IIIA, up to SIL 1, Cat. 1, PL c, synchronous activation monitoring < 0.5 s, 2 enabling current paths, $U_S = 24 \text{ V DC}$, plug-in screw terminal block

Your advantages

- Depending on the application, up to cat. 4/PL e in accordance with ISO 13849-1, SIL CL 3 in accordance with EN IEC 62061
- Type IIIA in accordance with ISO 13851
- Low housing width of just 12.5 mm
- 2 enabling current paths, 1 digital signal output
- Automatic activation

Commercial data

| | |
|--------------------------------------|--------------------------------|
| Item number | 2700571 |
| Packing unit | 1 pc |
| Minimum order quantity | 1 pc |
| Note | Made to order (non-returnable) |
| Sales key | DNA181 |
| Product key | DNA181 |
| GTIN | 4046356988353 |
| Weight per piece (including packing) | 148.2 g |
| Weight per piece (excluding packing) | 115.32 g |
| Customs tariff number | 85371098 |
| Country of origin | DE |

PSR-MC60-2NO-1DO-24DC-SC - Safety relays



2700571

<https://www.phoenixcontact.com/gb/products/2700571>

Technical data

Product properties

| | |
|----------------|--|
| Product type | Safety relays |
| Product family | PSRmini |
| Application | Two-hand control |
| Relay type | Electromechanical relay with force-guided contacts in accordance with IEC/EN 61810-3 |

Insulation characteristics: Air clearances and creepage distances between the power circuits

| | |
|----------------------|-----|
| Overvoltage category | III |
| Degree of pollution | 2 |

Times

| | |
|-----------------------|--|
| Typical response time | < 40 ms |
| Typical release time | < 10 ms (when controlled via S12/S22) < 5 ms (when interrupted via A1; applicative deactivation via A1/A2 is not permitted) |
| Restart time | < 2 s (Boot time) |
| Recovery time | < 500 ms |

Electrical properties

| | |
|---|--|
| Maximum power dissipation for nominal condition | 3.12 W (at $U_S = 30$ V, $I_L^2 = 72$ A ²) |
| Nominal operating mode | 100% operating factor |

Air clearances and creepage distances between the power circuits

| | |
|--------------------------------|--|
| Rated insulation voltage | 250 V AC 250 V AC |
| Rated surge voltage/insulation | See data sheet, section "Insulation coordination". |

Supply

| | |
|--|---|
| Designation | A1/A2 |
| Rated control circuit supply voltage U_S | 19.2 V DC ... 30 V DC |
| Rated control circuit supply voltage U_S | 24 V DC -20 % / +25 % |
| Rated control supply current I_S | typ. 35 mA |
| Power consumption at U_S | typ. 0.9 W |
| Inrush current | typ. 20 A ($\Delta t = 10$ μ s at U_S) |
| Filter time | 10 ms (For the logic. At A1 in the event of voltage dips at U_S) |
| Protective circuit | Surge protection; Suppressor diode Protection against polarity reversal for rated control circuit supply voltage |

Input data

Digital: Sensor circuit (S12, S22)

| | |
|--------------------------|------------------------------|
| Description of the input | safety-related sensor inputs |
| Number of inputs | 2 |

PSR-MC60-2NO-1DO-24DC-SC - Safety relays



2700571

<https://www.phoenixcontact.com/gb/products/2700571>

| | |
|---|-----------------------------------|
| Inrush current | < 5.5 mA (with U_s/I_x to S12) |
| | > -5.5 mA (with U_s/I_x to S22) |
| Concurrence | < 0.5 s |
| Max. permissible overall conductor resistance | 150 Ω |
| Current consumption | < 5.1 mA (with U_s/I_x to S12) |
| | > -5.1 mA (with U_s/I_x to S22) |

Digital: Feedback circuit (S35)

| | |
|---|-----------------------------|
| Description of the input | non-safety-related |
| Number of inputs | 1 |
| Inrush current | < 5.5 mA (typ. with U_s) |
| Max. permissible overall conductor resistance | 150 Ω |
| Voltage at input/start and feedback circuit | 24 V DC -20 % / +25 % |
| Current consumption | < 5.1 mA (typ. with U_s) |

Output data

Relay: Enabling current paths (13/14, 23/24)

| | |
|-----------------------------|--|
| Output description | safety-related N/O contacts |
| Number of outputs | 2 (undelayed) |
| Contact switching type | 2 enabling current paths |
| Contact material | AgSnO ₂ (enabling current path) |
| Switching voltage | min. 12 V AC/DC |
| | max. 250 V AC/DC |
| Switching power | min. 60 mW |
| Inrush current | min. 3 mA |
| | max. 6 A |
| Limiting continuous current | 6 A |
| Sq. Total current | 72 A ² (observe derating) |
| Switching frequency | 0.1 Hz |
| Mechanical service life | 10x 10 ⁶ cycles |
| Output fuse | 6 A gL/gG (N/O contact) |

Signal: M1

| | |
|--------------------------|---------------------------------------|
| Output description | PNP |
| | non-safety-related |
| Number of outputs | 1 (digital, PNP) |
| Voltage | 22 V DC ($U_s - 2$ V) |
| Current | max. 100 mA |
| Maximum inrush current | 500 mA ($\Delta t = 1$ ms at U_s) |
| Short-circuit protection | Yes |

Connection data

Connection technology

| | |
|-----------|-----|
| pluggable | yes |
|-----------|-----|

PSR-MC60-2NO-1DO-24DC-SC - Safety relays



2700571

<https://www.phoenixcontact.com/gb/products/2700571>

Conductor connection

| | |
|----------------------------------|---|
| Connection method | Screw connection |
| Conductor cross-section rigid | 0.2 mm ² ... 2.5 mm ² |
| Conductor cross-section flexible | 0.2 mm ² ... 2.5 mm ² |
| Conductor cross-section AWG | 24 ... 12 |
| Stripping length | 7 mm |
| Screw thread | M3 |

Signaling

| | |
|----------------|------------------|
| Status display | 5 x bi-color LED |
|----------------|------------------|

Dimensions

| | |
|--------|----------|
| Width | 12.5 mm |
| Height | 112.2 mm |
| Depth | 114.5 mm |

Material specifications

| | |
|------------------|--------|
| Color | yellow |
| Housing material | PA |

Characteristics

Safety data

| | |
|----------------------------|------|
| Stop category (EN 60204-1) | 0 |
| Type class | IIIA |

Safety data: EN ISO 13849

| | |
|------------------------|---|
| Performance level (PL) | c |
|------------------------|---|

Safety data: IEC 61508 - High demand

| | |
|------------------------------|---|
| Safety Integrity Level (SIL) | 1 |
|------------------------------|---|

Safety data: EN IEC 62061

| | |
|------------------------------|---|
| Safety Integrity Level (SIL) | 1 |
|------------------------------|---|

Environmental and real-life conditions

Ambient conditions

| | |
|--|---|
| Degree of protection | IP20 |
| Min. degree of protection of inst. location | IP54 |
| Ambient temperature (operation) | -35 °C ... 60 °C (observe derating) |
| Ambient temperature (storage/transport) | -40 °C ... 85 °C |
| Maximum altitude | ≤ 2000 m (Above sea level) |
| Max. permissible humidity (storage/transport) | 75 % (on average, 85% infrequently, non-condensing) |
| Max. permissible relative humidity (operation) | 75 % (on average, 85% infrequently, non-condensing) |
| Shock | 15g |

PSR-MC60-2NO-1DO-24DC-SC - Safety relays



2700571

<https://www.phoenixcontact.com/gb/products/2700571>

| | |
|-----------------------|----------------------|
| Vibration (operation) | 10 Hz ... 150 Hz, 2g |
|-----------------------|----------------------|

Approvals

CE

| | |
|----------------|--------------|
| Identification | CE-compliant |
|----------------|--------------|

Standards and regulations

Air clearances and creepage distances between the power circuits

| | |
|-----------------------|-------------|
| Standards/regulations | IEC 60664-1 |
|-----------------------|-------------|

Mounting

| | |
|-------------------|------------------------|
| Mounting type | DIN rail mounting |
| Assembly note | See derating curve |
| Mounting position | vertical or horizontal |

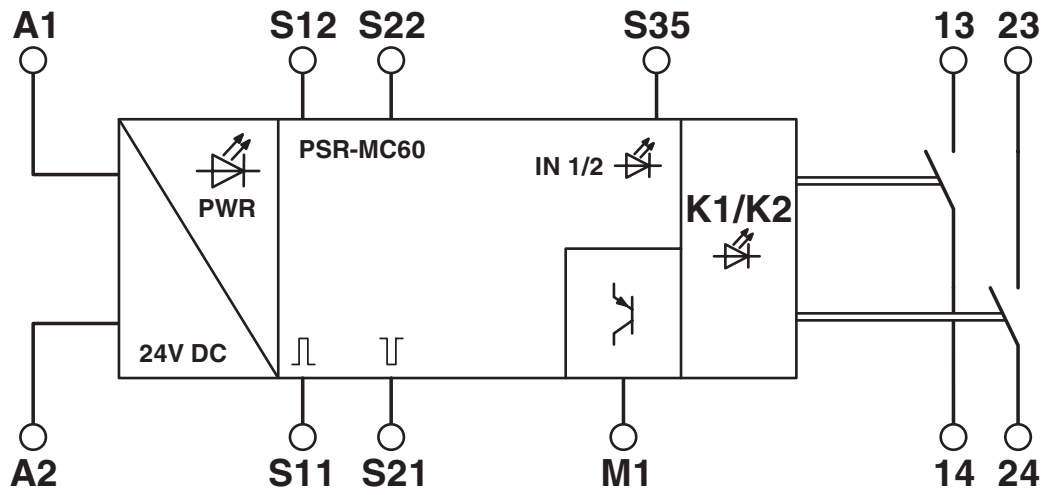
PSR-MC60-2NO-1DO-24DC-SC - Safety relays



2700571

<https://www.phoenixcontact.com/gb/products/2700571>

Block diagram



Block diagram

PSR-MC60-2NO-1DO-24DC-SC - Safety relays



2700571

<https://www.phoenixcontact.com/gb/products/2700571>

Classifications

UNSPSC

| | |
|-------------|----------|
| UNSPSC 21.0 | 39121100 |
|-------------|----------|

2700571

<https://www.phoenixcontact.com/gb/products/2700571>

Environmental product compliance

EU RoHS

| | |
|---|--------------|
| Fulfills EU RoHS substance requirements | Yes |
| Exemption | 7(a), 7(c)-I |

China RoHS

| | |
|--|---|
| Environment friendly use period (EFUP) | EFUP-50 |
| | An article-related China RoHS declaration table can be found in the download area for the respective article under "Manufacturer declaration". For all articles with EFUP-E, no China RoHS declaration table issued and required. |

EU REACH SVHC

| | |
|-------------------------------------|----------------------|
| REACH candidate substance (CAS No.) | Lead(CAS: 7439-92-1) |
|-------------------------------------|----------------------|

Phoenix Contact 2026 © - all rights reserved
<https://www.phoenixcontact.com>

PHOENIX CONTACT Ltd
Halesfield 13, Telford
Shropshire, TF7 4PG
01952 681700
info@phoenixcontact.co.uk