

# UPS-BAT/VRLA-WTR/24DC/26AH - Battery module



2320429

<https://www.phoenixcontact.com/gb/products/2320429>

Please be informed that the data shown in this PDF document is generated from our online catalog. Please find the complete data in the user documentation. Our general terms of use for downloads are valid.

Battery module (device with battery), lead AGM, VRLA technology 24 V DC, 26 Ah, tool-free battery change, automatic detection, and communication with QUINT UPS-IQ



## Product description

For continuous monitoring and intelligent management, there is constant communication with the QUINT UPS. Thanks to automatic detection of the battery module and tool-free switching during operation, quick installation is possible. The battery modules for QUINT UPS with IQ Technology leave the warehouse fully charged.

## Your advantages

- Maximum buffer times at extreme temperatures
- Pure lead AGM technology (Absorbent Glass Mat)

## Commercial data

Item number	2320429
Packing unit	1 pc
Minimum order quantity	1 pc
Note	Made to order (non-returnable)
Sales key	CMUEW3
Product key	CMUEW3
GTIN	4046356707718
Weight per piece (including packing)	22,400 g
Weight per piece (excluding packing)	22,400 g
Customs tariff number	85072080
Country of origin	US

## Technical data

### Notes

#### General

Note on the battery	This product contains a battery with a limited shelf life that must be charged every few months. The product packaging indicates when the battery must be started up or recharged. The general shelf life can be found in the energy storage devices area under "Latest startup".
---------------------	---

### Input data

Input voltage	24 V DC
Buffer period	120 min (10 A)
	30 min (40 A)

### Output data

Nominal output voltage	24 V DC
Output current $I_{max}$	45 A
Output fuse	2x 25 A ATOF 32V
Connection in parallel	15
Connection in series	no

#### Battery operation

Nominal output voltage	24 V DC
Nominal output current ( $I_N$ )	45 A

### Energy storage

End-of-charge voltage	27.6 V (20 °C)
Charging current	10.4 A
Nominal capacity	26 Ah
Service life	10 Years ... 15 Years (20 °C)
Latest startup date (battery only)	12 Months (0 °C ... 20 °C)
Latest startup (battery only) - range	9 Months ... 12 Months (20 °C ... 30 °C)
	6 Months ... 9 Months (30 °C ... 40 °C)
Battery technology	VRLA-WTR
Memory medium	Pure lead AGM
Accumulator type	Genesis G26EPX
Number of cells	2
Size designation	Block
Battery pack	yes
IQ technology	Yes
Temperature sensor	yes
Suitable for fast charging	yes
Approved according to	UL Style 3321150 °C 600 V AC 750 V DC

2320429

<https://www.phoenixcontact.com/gb/products/2320429>

## Product properties

Product type	Battery module
Product family	Battery module (device with battery)
Application	for QUINT4 DC-UPS, QUINT4 AC-UPS, and QUINT-UPS
Disposal	Used batteries must not be thrown away with household waste, they should instead be disposed of in accordance with applicable national regulations.
IQ technology	Yes

### Insulation characteristics

Protection class	III
Degree of pollution	2

## Dimensions

Width	358 mm
Height	174 mm
Depth	169 mm

### Installation dimensions

Installation distance right/left	0 mm / 0 mm
Installation distance top/bottom	50 mm / 50 mm

## Mounting

Mounting position	Horizontally, on a mounting panel
-------------------	-----------------------------------

## Material specifications

Housing material	Plastic
Housing material	Metal

## Cable/line

### Battery connecting cable: A+/-

Cable cross section	6 mm <sup>2</sup>
Cable length	340 mm
Color	red/black

### Battery connecting cable: B+/-

Cable cross section	6 mm <sup>2</sup>
Cable length	110 mm
Color	red/black

## Environmental and real-life conditions

### Ambient conditions

Degree of protection	IP20
Ambient temperature (operation)	-25 °C ... 60 °C
Ambient temperature (storage/transport)	-40 °C ... 60 °C

# UPS-BAT/VRLA-WTR/24DC/26AH - Battery module



2320429

<https://www.phoenixcontact.com/gb/products/2320429>

Max. permissible relative humidity (operation)	≤ 95 %
Shock	18 ms, 30g, in each space direction (according to IEC 60068-2-27)
Vibration (operation)	< 15 Hz, amplitude ±2,5 mm, 15 Hz ... 150 Hz, according to IEC 60068-2-6 15 Hz ... 150 Hz, 2.3g, 90 min.

## Standards and regulations

Standard - Electrical safety	EN 62368-1/VDE 0868-1
------------------------------	-----------------------

## Approvals

Shipbuilding approval	DNV GL (EMC A), ABS
UL approvals	UL/C-UL listed UL 508 UL/C-UL Recognized UL 60950-1

## Ex data

Suited for EX-applications	no
----------------------------	----

# UPS-BAT/VRLA-WTR/24DC/26AH - Battery module

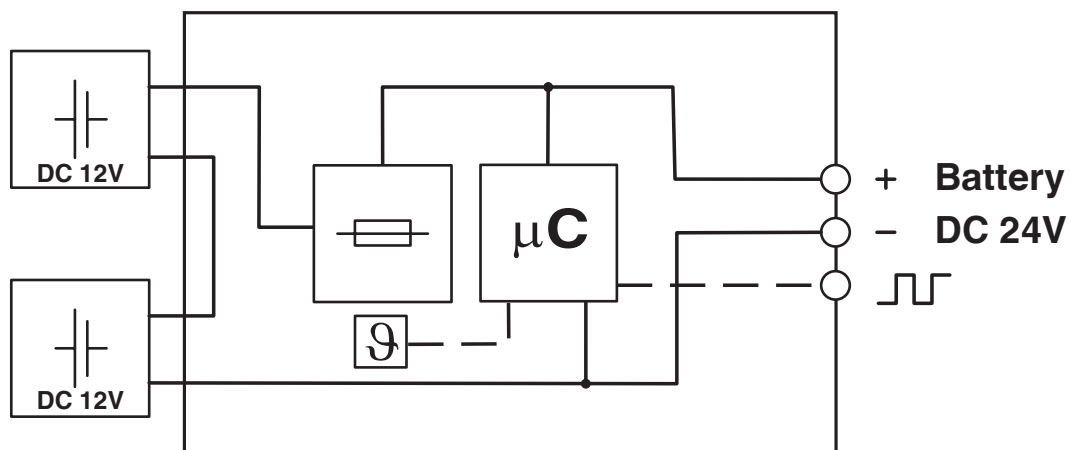


2320429

<https://www.phoenixcontact.com/gb/products/2320429>

## Drawings

Block diagram



Graphic

Load Current	Buffertime																									
	Minutes										Hours															
	10	12	15	20	25	30	35	40	45	50	55	1	2	3	4	5	6	7	8	9	10	12	14	16	18	20
1 A	■	■	■	■	■	■	■	■	■	■	■	■	■	■	■	■	■	■	■	■	■	■	■	■	■	■
2 A	■	■	■	■	■	■	■	■	■	■	■	■	■	■	■	■	■	■	■	■	■	■	■	■	■	■
3 A	■	■	■	■	■	■	■	■	■	■	■	■	■	■	■	■	■	■	■	■	■	■	■	■	■	■
5 A	■	■	■	■	■	■	■	■	■	■	■	■	■	■	■	■	■	■	■	■	■	■	■	■	■	■
7 A	■	■	■	■	■	■	■	■	■	■	■	■	■	■	■	■	■	■	■	■	■	■	■	■	■	■
10 A	■	■	■	■	■	■	■	■	■	■	■	■	■	■	■	■	■	■	■	■	■	■	■	■	■	■
15 A	■	■	■	■	■	■	■	■	■	■	■	■	■	■	■	■	■	■	■	■	■	■	■	■	■	■
20 A	■	■	■	■	■	■	■	■	■	■	■	■	■	■	■	■	■	■	■	■	■	■	■	■	■	■
25 A	■	■	■	■	■	■	■	■	■	■	■	■	■	■	■	■	■	■	■	■	■	■	■	■	■	■
30 A	■	■	■	■	■	■	■	■	■	■	■	■	■	■	■	■	■	■	■	■	■	■	■	■	■	■
35 A	■	■	■	■	■	■	■	■	■	■	■	■	■	■	■	■	■	■	■	■	■	■	■	■	■	■
40 A	■	■	■	■	■	■	■	■	■	■	■	■	■	■	■	■	■	■	■	■	■	■	■	■	■	■

The data is based on an ambient temperature of +25 °C at the start of use.

■ 2320416 UPS-BAT/VRLA-WTR/24DC/13AH    ■ 2320429 UPS-BAT/VRLA-WTR/24DC/26AH

VRLA-WTR battery buffer times for QUINT DC UPS

# UPS-BAT/VRLA-WTR/24DC/26AH - Battery module



2320429

<https://www.phoenixcontact.com/gb/products/2320429>

## Graphic

Load Current	Buffertime																
	Minutes										Hours						
	1	2	3	5	10	20	30	40	45	50	1	2	3	5	8	10	15
15 W																	
35 W																2x	
55 W															2x		
90 W														2x			
125 W													2x	2x			
180 W													2x				
275 W												2x					
400 W											2x						

2x: In this case, two battery modules of the same capacity are required. The data is based on an ambient temperature of +25 °C at the start of use.

2320416 UPS-BAT/VRLA-WTR/24DC/13AH
  2320429 UPS-BAT/VRLA-WTR/24DC/26AH

## VRLA-WTR battery buffer times for QUINT AC UPS 500 VA

## Graphic

Load Current	Buffertime																			
	Minutes													Hours						
	1	2	3	4	5	8	10	15	20	25	30	40	50	1	1.5	2	3	4	6	9
100 W	2x	2x	2x	2x	2x	2x	2x	2x	2x	2x	2x	2x	2x	2x	2x	2x	2x	2x	2x	2x
200 W	2x	2x	2x	2x	2x	2x	2x	2x	2x	2x	2x	2x	2x	2x	2x	2x	2x	2x		
300 W	2x	2x	2x	2x	2x	2x	2x	2x	2x	2x	2x	2x	2x	2x	2x	2x	2x			
400 W	2x	2x	2x	2x	2x	2x	2x	2x	2x	2x	2x	2x	2x	2x	2x	2x				
500 W	2x	2x	2x	2x	2x	2x	2x	2x	2x	2x	2x	2x	2x	2x	2x	2x				
600 W	2x	2x	2x	2x	2x	2x	2x	2x	2x	2x	2x	2x	2x	2x	2x					
700 W	2x	2x	2x	2x	2x	2x	2x	2x	2x	2x	2x	2x	2x							
800 W	2x	2x	2x	2x	2x	2x	2x	2x	2x	2x	2x	2x	2x							
900 W	2x	2x	2x	2x	2x	2x	2x	2x	2x	2x	2x	2x	2x							

2x: There are always two battery modules of the same capacity are required. The data is based on an ambient temperature of +25 °C at the start of use.

2320416 UPS-BAT/VRLA-WTR/24DC/13AH
  2320429 UPS-BAT/VRLA-WTR/24DC/26AH

## VRLA-WTR battery buffer time for QUINT AC UPS 1 kVA

# UPS-BAT/VRLA-WTR/24DC/26AH - Battery module



2320429

<https://www.phoenixcontact.com/gb/products/2320429>

## Graphic

Load Current	Buffertime																									
	Minutes										Hours															
	10	12	15	20	25	30	35	40	45	50	55	1	2	3	4	5	6	7	8	9	10	12	14	16	18	20
1 A	■	■	■	■	■	■	■	■	■	■	■	■	■	■	■	■	■	■	■	■	■	■	■	■	■	■
2 A	■	■	■	■	■	■	■	■	■	■	■	■	■	■	■	■	■	■	■	■	■	■	■	■	■	■
3 A	■	■	■	■	■	■	■	■	■	■	■	■	■	■	■	■	■	■	■	■	■	■	■	■	■	■
5 A	■	■	■	■	■	■	■	■	■	■	■	■	■	■	■	■	■	■	■	■	■	■	■	■	■	■
7 A	■	■	■	■	■	■	■	■	■	■	■	■	■	■	■	■	■	■	■	■	■	■	■	■	■	■
10 A	■	■	■	■	■	■	■	■	■	■	■	■	■	■	■	■	■	■	■	■	■	■	■	■	■	■
15 A	■	■	■	■	■	■	■	■	■	■	■	■	■	■	■	■	■	■	■	■	■	■	■	■	■	■
20 A	■	■	■	■	■	■	■	■	■	■	■	■	■	■	■	■	■	■	■	■	■	■	■	■	■	■

The data is based on an ambient temperature of +25 °C at the start of use.

■ 2320416 UPS-BAT/VRLA-WTR/24DC/13AH    ■ 2320429 UPS-BAT/VRLA-WTR/24DC/26AH

## Graphic

Load Current	Buffertime																									
	Minutes										Hours															
	10	12	15	20	25	30	35	40	45	50	55	1	2	3	4	5	6	7	8	9	10	12	14	16	18	20
1 A	■	■	■	■	■	■	■	■	■	■	■	■	■	■	■	■	■	■	■	■	■	■	■	■	■	■
2 A	■	■	■	■	■	■	■	■	■	■	■	■	■	■	■	■	■	■	■	■	■	■	■	■	■	■
3 A	■	■	■	■	■	■	■	■	■	■	■	■	■	■	■	■	■	■	■	■	■	■	■	■	■	■
5 A	■	■	■	■	■	■	■	■	■	■	■	■	■	■	■	■	■	■	■	■	■	■	■	■	■	■
7 A	■	■	■	■	■	■	■	■	■	■	■	■	■	■	■	■	■	■	■	■	■	■	■	■	■	■
10 A	■	■	■	■	■	■	■	■	■	■	■	■	■	■	■	■	■	■	■	■	■	■	■	■	■	■

The data is based on an ambient temperature of +25 °C at the start of use.

■ 2320416 UPS-BAT/VRLA-WTR/24DC/13AH    ■ 2320429 UPS-BAT/VRLA-WTR/24DC/26AH

# UPS-BAT/VRLA-WTR/24DC/26AH - Battery module



2320429

<https://www.phoenixcontact.com/gb/products/2320429>

## Approvals

To download certificates, visit the product detail page: <https://www.phoenixcontact.com/gb/products/2320429>



**cUL Recognized**  
Approval ID: E211944



**UL Recognized**  
Approval ID: E211944



**IECEE CB Scheme**  
Approval ID: DK-29680-A1-M1-UL



**LR**  
Approval ID: LR22136091TA



**BV**  
Approval ID: 41516/B0 BV



**UL Listed**  
Approval ID: E123528



**cUL Listed**  
Approval ID: E123528

**ABS**

Approval ID: 22-2244289-PDA

**DNV**

Approval ID: TAA0000265

	Nominal voltage $U_N$	Nominal current $I_N$	Cross section AWG	Cross section $\text{mm}^2$
keine				
	500 V	41 A	-	- 6



**cUL Listed**  
Approval ID: E199827

# UPS-BAT/VRLA-WTR/24DC/26AH - Battery module



2320429

<https://www.phoenixcontact.com/gb/products/2320429>



**UL Listed**

Approval ID: E199827

2320429

<https://www.phoenixcontact.com/gb/products/2320429>

## Classifications

### ECLASS

ECLASS-13.0	27050403
ECLASS-15.0	27050403

### ETIM

ETIM 10.0	EC003893
-----------	----------

### UNSPSC

UNSPSC 21.0	26111700
-------------	----------

2320429

<https://www.phoenixcontact.com/gb/products/2320429>

## Environmental product compliance

### EU RoHS

Fulfills EU RoHS substance requirements	Yes
Exemption	7(a), 7(c)-I

### China RoHS

Environment friendly use period (EFUP)	EFUP-15
	An article-related China RoHS declaration table can be found in the download area for the respective article under "Manufacturer declaration". For all articles with EFUP-E, no China RoHS declaration table issued and required.

### EU REACH SVHC

REACH candidate substance (CAS No.)	Lead(CAS: 7439-92-1)
SCIP	e820281b-4250-4995-b18c-bbb6cab2a92b

Phoenix Contact 2026 © - all rights reserved

<https://www.phoenixcontact.com>

PHOENIX CONTACT Ltd  
Halesfield 13, Telford  
Shropshire, TF7 4PG  
01952 681700  
[info@phoenixcontact.co.uk](mailto:info@phoenixcontact.co.uk)