

# UPS-BAT/VRLA/24DC/38AH - Battery module



2320335

<https://www.phoenixcontact.com/gb/products/2320335>

Please be informed that the data shown in this PDF document is generated from our online catalog. Please find the complete data in the user documentation. Our general terms of use for downloads are valid.



Battery module, lead AGM, VRLA technology, 24 V DC, 38 Ah, automatic detection, and communication with QUINT UPS-IQ

## Product description

For continuous monitoring and intelligent management, there is constant communication with the QUINT UPS. Thanks to automatic detection of the battery module and tool-free switching during operation, quick installation is possible. The battery modules for QUINT UPS with IQ Technology leave the warehouse fully charged.

## Your advantages

- Maximum buffer times
- Consists of 2 x 12 V battery modules and an electronic monitoring unit
- Lead AGM (Absorbent Glass Mat) technology

## Commercial data

Item number	2320335
Packing unit	1 pc
Minimum order quantity	1 pc
Note	Made to order (non-returnable)
Sales key	CMUEV3
Product key	CMUEV3
GTIN	4046356599061
Weight per piece (including packing)	25,616 g
Weight per piece (excluding packing)	25,300 g
Customs tariff number	85072080
Country of origin	CN

# UPS-BAT/VRLA/24DC/38AH - Battery module



2320335

<https://www.phoenixcontact.com/gb/products/2320335>

## Technical data

### Input data

Input voltage	24 V DC
Buffer period	72 min (20 A)
	35 min (40 A)

### Output data

Nominal output voltage	24 V DC
Output current $I_{max}$	45 A
Output fuse	2x 25 A ATOF 32V
Connection in parallel	5
Connection in series	no

### Battery operation

Nominal output voltage	24 V DC
Nominal output current ( $I_N$ )	45 A

### Energy storage

End-of-charge voltage	27.6 V (20 °C)
Charging current	15.2 A
Nominal capacity	38 Ah
Latest startup date (battery only)	12 Months (0 °C ... 20 °C)
Latest startup (battery only) - range	9 Months ... 12 Months (20 °C ... 30 °C)
	6 Months ... 9 Months (30 °C ... 40 °C)
Battery technology	VRLA-AGM
Memory medium	Lead rechargeable battery module
Accumulator type	Panasonic LC-P1238APG
Number of cells	2
Size designation	Block
Battery pack	yes
IQ technology	Yes
Temperature sensor	yes
Suitable for fast charging	yes
Approved according to	UL Style 3321150 °C 600 V AC 750 V DC

### Product properties

Product type	Battery module
Product family	Battery module (device with battery)
Disposal	Used batteries must not be thrown away with household waste, they should instead be disposed of in accordance with applicable national regulations.
IQ technology	Yes

### Insulation characteristics

# UPS-BAT/VRLA/24DC/38AH - Battery module



2320335

<https://www.phoenixcontact.com/gb/products/2320335>

Protection class	III
Degree of pollution	2

## Dimensions

Width	330 mm
Height	221 mm
Depth	197 mm

## Mounting

Mounting position	Horizontally, on a mounting panel
-------------------	-----------------------------------

## Material specifications

Housing material	Plastic
Type of housing	Plastic

## Cable/line

### Battery connecting cable: A+/-

Cable cross section	6 mm <sup>2</sup>
Cable length	340 mm
Color	red/black

### Battery connecting cable: B+/-

Cable cross section	6 mm <sup>2</sup>
Cable length	110 mm
Color	red/black

## Environmental and real-life conditions

### Ambient conditions

Degree of protection	IP20
Ambient temperature (operation)	0 °C ... 40 °C
Ambient temperature (storage/transport)	0 °C ... 40 °C
Max. permissible relative humidity (operation)	95 %
Shock	18 ms, 30g, in each space direction (according to IEC 60068-2-27)
Vibration (operation)	< 15 Hz, amplitude ±2,5 mm, 15 Hz ... 150 Hz, according to IEC 60068-2-6 15 Hz ... 150 Hz, 2.3g, 90 min.

## Standards and regulations

Standard - Electrical safety	EN 62368-1/VDE 0868-1
------------------------------	-----------------------

## Approvals

Shipbuilding approval	DNV GL (EMC A), ABS
UL approvals	UL/C-UL listed UL 508 UL/C-UL Recognized UL 60950-1

# UPS-BAT/VRLA/24DC/38AH - Battery module



2320335

<https://www.phoenixcontact.com/gb/products/2320335>

	UL ANSI/ISA-12.12.01 Class I, Division 2, Groups A, B, C, D (Hazardous Location)
VdS approval	G 100002

## Ex data

Suited for EX-applications	no
----------------------------	----

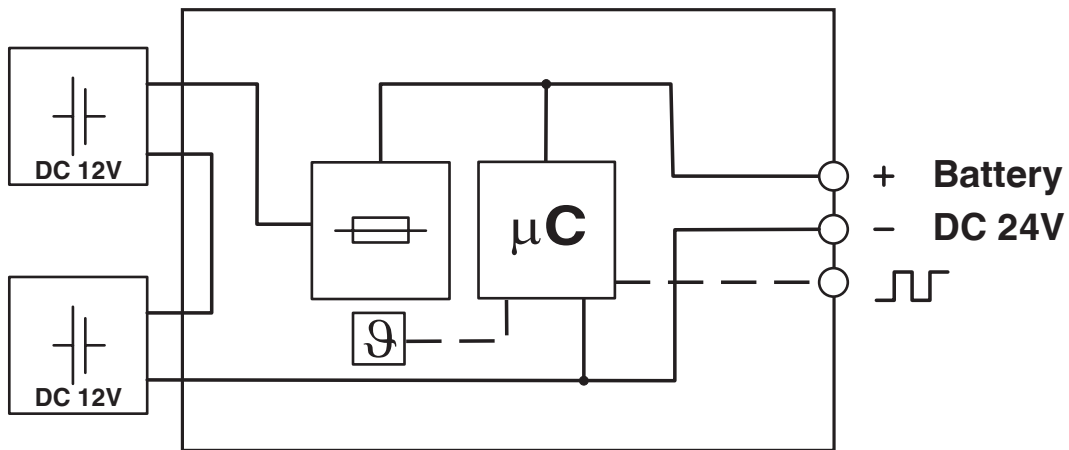
# UPS-BAT/VRLA/24DC/38AH - Battery module

2320335

<https://www.phoenixcontact.com/gb/products/2320335>

## Drawings

Block diagram



# UPS-BAT/VRLA/24DC/38AH - Battery module



2320335

<https://www.phoenixcontact.com/gb/products/2320335>

## Classifications

### UNSPSC

UNSPSC 21.0	26111700
-------------	----------

# UPS-BAT/VRLA/24DC/38AH - Battery module



2320335

<https://www.phoenixcontact.com/gb/products/2320335>

## Environmental product compliance

### EU RoHS

Fulfills EU RoHS substance requirements	Yes
Exemption	7(a), 7(c)-I

### China RoHS

Environment friendly use period (EFUP)	EFUP-6
	An article-related China RoHS declaration table can be found in the download area for the respective article under "Manufacturer declaration". For all articles with EFUP-E, no China RoHS declaration table issued and required.

### EU REACH SVHC

REACH candidate substance (CAS No.)	Lead(CAS: 7439-92-1)
-------------------------------------	----------------------

Phoenix Contact 2026 © - all rights reserved  
<https://www.phoenixcontact.com>

PHOENIX CONTACT Ltd  
Halesfield 13, Telford  
Shropshire, TF7 4PG  
01952 681700  
[info@phoenixcontact.co.uk](mailto:info@phoenixcontact.co.uk)